
PARTS LIST

RUBBER CRAWLER CARRIER

MST-2200VD

Serial No. 223001 and up

MOROOKA

PARTS LIST

RUBBER CRAWLER CARRIER

MST-2200VD

Serial No. 223001 and up

FOREWORD

Thank you for purchasing this Morooka Rubber Crawler Carrier.

When ordering a part, please specify the model serial number, the engine serial number and the reading of the hourmeter.

READING FOR PARTS LIST

For complete understanding, the parts list is written as follows.

| | |
|---------------|--|
| Fig. Number | Figure numbers are not continuous. |
| Description | “ • ” is put in front of the name of an assembly component and the item is entered next to the assembly. If part marked with “ • ” is an assembly, its component is part marked with “ • • ”. |
| Quantity | The number of pieces per set used for assembly is specified. For assembly or part group components, the number of pieces per assembly is specified. |
| Serial number | The engine or machine serial number in which the part is used. |
| Codes | The codes and part number specified in the “Part No.” and “Part name” columns represent the following: <input type="checkbox"/> The part specified in the line above is applicable instead of this part. ☆ Supplied as a set rather than singly. |

CONTENTS

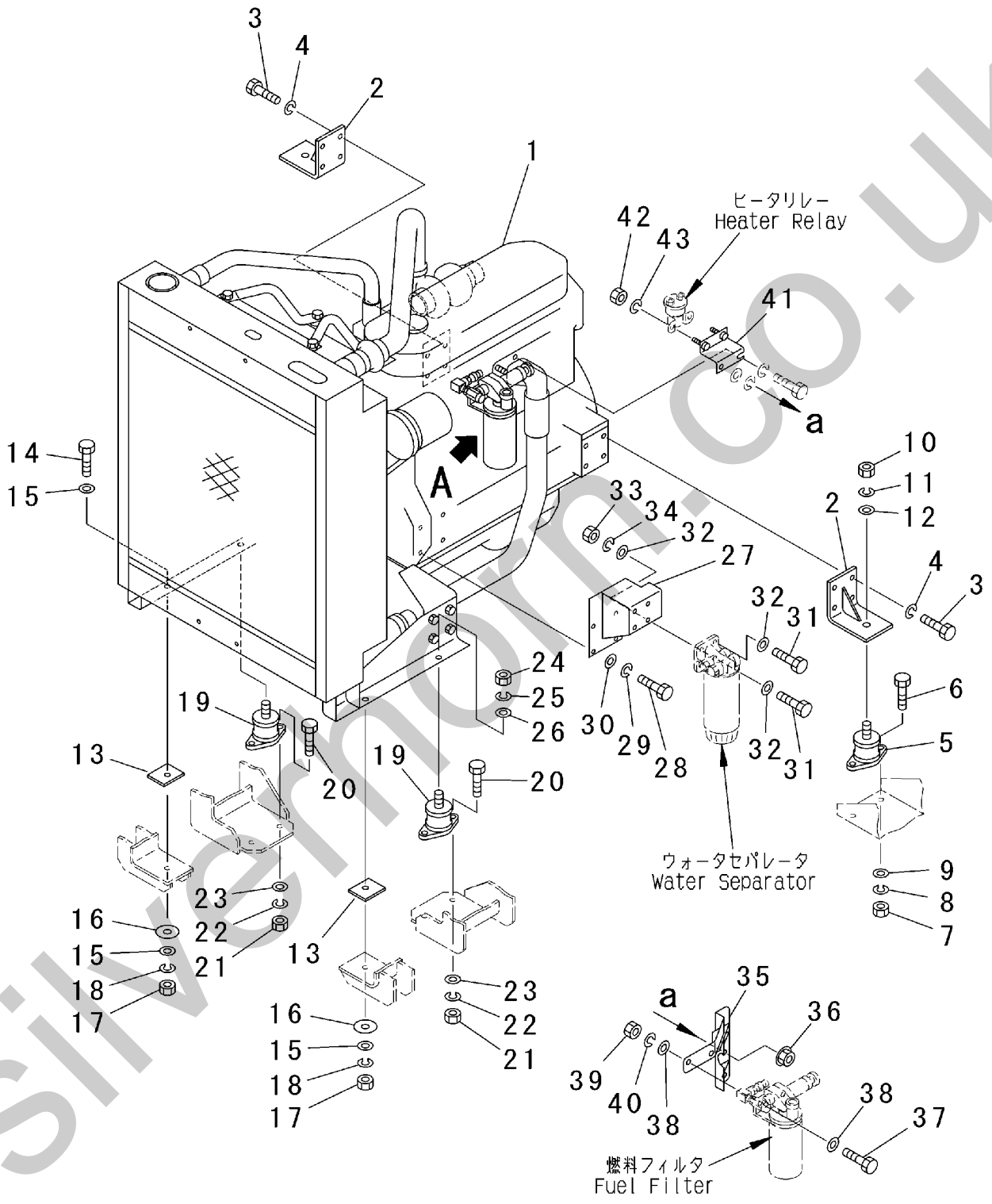
| ITEM | FIG. No. | PAGE |
|---|----------|------|
| FORWARD | — | A-2 |
| CONTENTS | — | 0-1 |
| ENGINE RELATED PARTS (ENGINE MOUNTING PARTS AND RADIATOR) | 101 | 1-2 |
| ENGINE RELATED PARTS (MAIN PUMP AND MOUNTING PARTS) | 105 | 1-6 |
| ENGINE RELATED PARTS (AIR INTAKE SYSTEM) | 111 | 1-8 |
| ENGINE RELATED PARTS (EXHAUST SYSTEM) | 115 | 1-10 |
| FUEL TANK AND FUEL PIPING | 121 | 1-12 |
| FRAME RELATED PARTS (1/4) (RADIATOR COVER AND FRONT GRILL) | 201 | 1-14 |
| FRAME RELATED PARTS (2/4) (UNDER COVER AND STEP) | 202 | 1-16 |
| FRAME RELATED PARTS (3/4) (ENGINE BONNET) | 203 | 1-18 |
| FRAME RELATED PARTS (4/4) (BATTERY BOX) | 204 | 1-22 |
| CAB RELATED PARTS (CAB MOUNTING PARTS) | 211 | 1-24 |
| CAB RELATED PARTS (WINDOW WASHER) | 213 | 1-26 |
| CAB (1/6) (WIPER MOTOR AND SPEAKER) | 221 | 1-28 |
| CAB (2/6) (L.H. AND REAR SIDE WINDOWS AND HANDRAIL) | 222 | 1-30 |
| CAB (3/6) (CAB DOOR) | 223 | 1-32 |
| CAB (4/6) (FRONT WINDOW) | 224 | 1-36 |
| CAB (5/6) (R.H. SIDE WINDOW AND ROOF) | 225 | 1-40 |
| CAB (6/6) (DOOR CATCH) | 226 | 1-42 |
| CAB INNER PARTS (FLOOR PLATE AND FLOOR PARTS) | 231 | 1-44 |
| CAB INNER PARTS (CONSOLE AND COVER) | 233 | 1-46 |
| CAB INNER PARTS (CAB R.H. SIDE COVER) | 235 | 1-48 |
| CAB INNER PARTS (OPERATOR'S SEAT) | 241 | 1-50 |
| CAB INNER PARTS (OPERATOR'S SEAT STAND) | 243 | 1-52 |
| AIR CONDITIONER RELATED PARTS (1/5) (A/C UNIT AND MOUNTING) | 251 | 1-54 |
| AIR CONDITIONER RELATED PARTS (2/5) (AIR COMPRESSOR AND MOUNTING) | 252 | 1-56 |
| AIR CONDITIONER RELATED PARTS (3/5) (A/C CONDENSER AND MOUNTING) | 253 | 1-58 |
| AIR CONDITIONER RELATED PARTS (4/5) (A/C PIPING) | 254 | 1-60 |
| AIR CONDITIONER RELATED PARTS (5/5) (CAR HEATER PIPING) | 255 | 1-62 |
| CAB INNER PARTS (REAR BOX) | 261 | 1-64 |
| CAB INNER PARTS (AIR DUCT) | 263 | 1-66 |
| UNDER CARRIAGE RELATED PARTS (TRAVEL MOTOR AND IDLER) | 301 | 1-68 |
| UNDER CARRIAGE RELATED PARTS (CARRIER ROLLER) | 311 | 1-70 |
| UNDER CARRIAGE RELATED PARTS (TRACK ROLLER) | 321 | 1-72 |
| STEERING CONTROL SYSTEM | 401 | 1-74 |
| DUMP CONTROL SYSTEM | 421 | 1-76 |
| HYDRAULIC PIPING (CONTROL VALVE AND DUMP CYLINDER LINE) | 501 | 1-78 |

| ITEM | FIG. No. | PAGE |
|---|----------|-------|
| HYDRAULIC PIPING (MAIN PUMP CHARGE LINE) | 502 | 1-80 |
| HYDRAULIC PIPING (HST MAIN LINE) | 503 | 1-82 |
| HYDRAULIC PIPING (PARKING BRAKE AND H-L SPEED VALVE LINE) | 504 | 1-84 |
| HYDRAULIC PIPING (OIL COOLER AND DRAIN LINE) | 505 | 1-86 |
| HYDRAULIC PIPING (MAIN PUMP DRAIN LINE) | 506 | 1-88 |
| HYDRAULIC OIL TANK | 551 | 1-90 |
| HYDRAULIC OIL FILTER | 555 | 1-92 |
| OIL COOLER RELATED PARTS | 561 | 1-94 |
| DUMP BODY RELATED PARTS (EARTH MOVER TYPE) | 601 | 1-96 |
| DUMP BODY RELATED PARTS (SCOOP END TYPE) | 611 | 1-98 |
| ELECTRICAL SYSTEM (METER BOX IN CAB) | 701 | 1-100 |
| ELECTRICAL SYSTEM (OPERATING PANEL IN CAB) | 703 | 1-102 |
| ELECTRICAL SYSTEM (WIRING HARNESS AND LAMPS) | 711 | 1-104 |
| ELECTRICAL SYSTEM (RELAY AND FUSE BOX) | 713 | 1-106 |
| ELECTRICAL SYSTEM (BATTERY AND BATTERY RELAY) | 715 | 1-110 |
| MARKS AND PLATES (JAPANESE) | 801 | 1-112 |
| MARKS AND PLATES (ENGLISH) | 811 | 1-114 |
| TOOLS | 901 | 1-116 |
| NUMERICAL INDEX | — | 9 - 1 |

MST-2200VD

Silverhorn.CO.UK

FIG.101 ENGINE RELATED PARTS
(ENGINE MOUNTING PARTS AND RADIATOR)



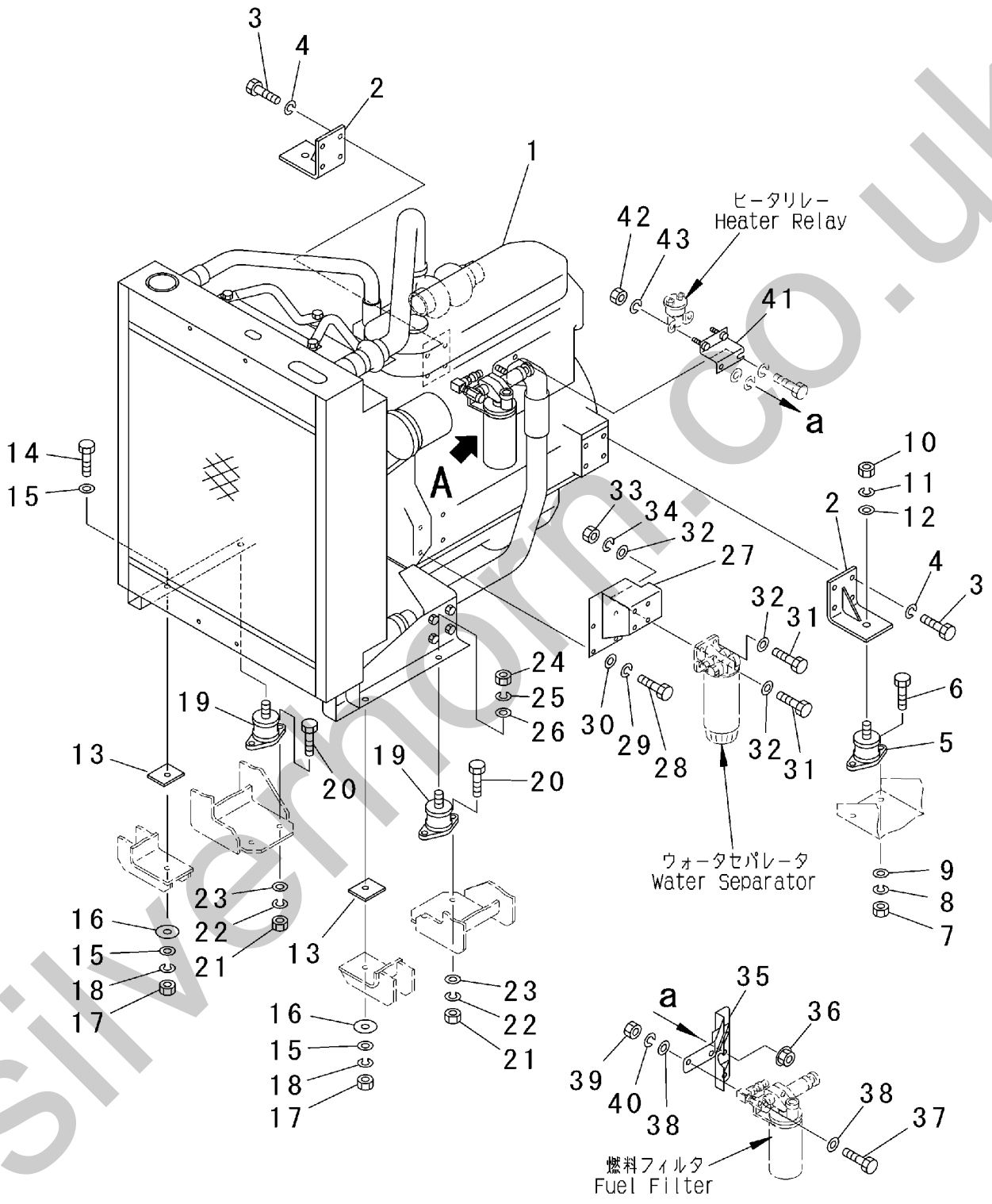
A 詳細
Detail A

PV93061

FIG.101

| INDEX | PART NO. | DESCRIPTION | Q'TY | SERIAL NO. |
|-------|--------------|-------------------------------|------|------------|
| 1 | 1-46100-0300 | ENGINE ASS'Y (CATERPILLAR C7) | 1 | 223001 ~ |
| 2 | 1-46110-3110 | BRACKET | 2 | 223001 ~ |
| 3 | 0-1000-31640 | BOLT (M16X40) | 8 | 223001 ~ |
| 4 | 0-1100-31640 | SPRING WASHER (M16) | 8 | 223001 ~ |
| 5 | 1-39110-1210 | CUSHION (EB4013) | 2 | 223001 ~ |
| 6 | 0-1000-31235 | BOLT (M12X35) | 4 | 223001 ~ |
| 7 | 0-1200-31210 | NUT (M12) | 4 | 223001 ~ |
| 8 | 0-1100-31230 | SPRING WASHER (M12) | 4 | 223001 ~ |
| 9 | 0-1140-31232 | HARD WASHER (M12) | 4 | 223001 ~ |
| 10 | 0-1200-31613 | NUT (M16) | 2 | 223001 ~ |
| 11 | 0-1100-31640 | SPRING WASHER (M16) | 2 | 223001 ~ |
| 12 | 0-1140-31645 | HARD WASHER (M16) | 2 | 223001 ~ |
| 13 | 1-46110-2210 | RUBBER CUSHION | 2 | 223001 ~ |
| 14 | 0-1000-31660 | BOLT (M16X60) | 2 | 223001 ~ |
| 15 | 0-1140-31645 | HARD WASHER (M16) | 4 | 223001 ~ |
| 16 | 1-46110-3230 | PLATE | 2 | 223001 ~ |
| 17 | 0-1200-31613 | NUT (M16) | 2 | 223001 ~ |
| 18 | 0-1100-31640 | SPRING WASHER (M16) | 2 | 223001 ~ |
| 19 | 1-39110-1210 | CUSHION (EB4013) | 2 | 223001 ~ |
| 20 | 0-1000-31235 | BOLT (M12X35) | 4 | 223001 ~ |
| 21 | 0-1200-31210 | NUT (M12) | 4 | 223001 ~ |
| 22 | 0-1100-31230 | SPRING WASHER (M12) | 4 | 223001 ~ |
| 23 | 0-1140-31232 | HARD WASHER (M12) | 4 | 223001 ~ |
| 24 | 0-1200-31613 | NUT (M16) | 2 | 223001 ~ |
| 25 | 0-1100-31640 | SPRING WASHER (M16) | 2 | 223001 ~ |
| 26 | 0-1140-31645 | HARD WASHER (M16) | 2 | 223001 ~ |
| 27 | 1-46110-3310 | WATER SEPARATOR BRACKET | 1 | 223001 ~ |
| 28 | 0-1000-31420 | BOLT (M14X20) | 4 | 223001 ~ |
| 29 | 0-1100-31435 | SPRING WASHER (M14) | 4 | 223001 ~ |
| 30 | 0-1140-31445 | HARD WASHER (M14) | 4 | 223001 ~ |
| 31 | 0-1000-01035 | BOLT (M10X35) | 4 | 223001 ~ |
| 32 | 0-1120-01020 | PLANE WASHER (M10) | 6 | 223001 ~ |
| 33 | 0-1200-01008 | NUT (M10) | 2 | 223001 ~ |
| 34 | 0-1100-01025 | SPRING WASHER (M10) | 2 | 223001 ~ |
| 35 | 1-46110-3330 | FUEL FILTER BRACKET | 1 | 223001 ~ |
| 36 | 0-1260-00808 | FLANGE NUT (M8) | 2 | 223001 ~ |
| 37 | 0-1000-01035 | BOLT (M10X35) | 2 | 223001 ~ |
| 38 | 0-1120-01020 | PLANE WASHER (M10) | 4 | 223001 ~ |
| 39 | 0-1200-01008 | NUT (M10) | 2 | 223001 ~ |
| 40 | 0-1100-01025 | SPRING WASHER (M10) | 2 | 223001 ~ |

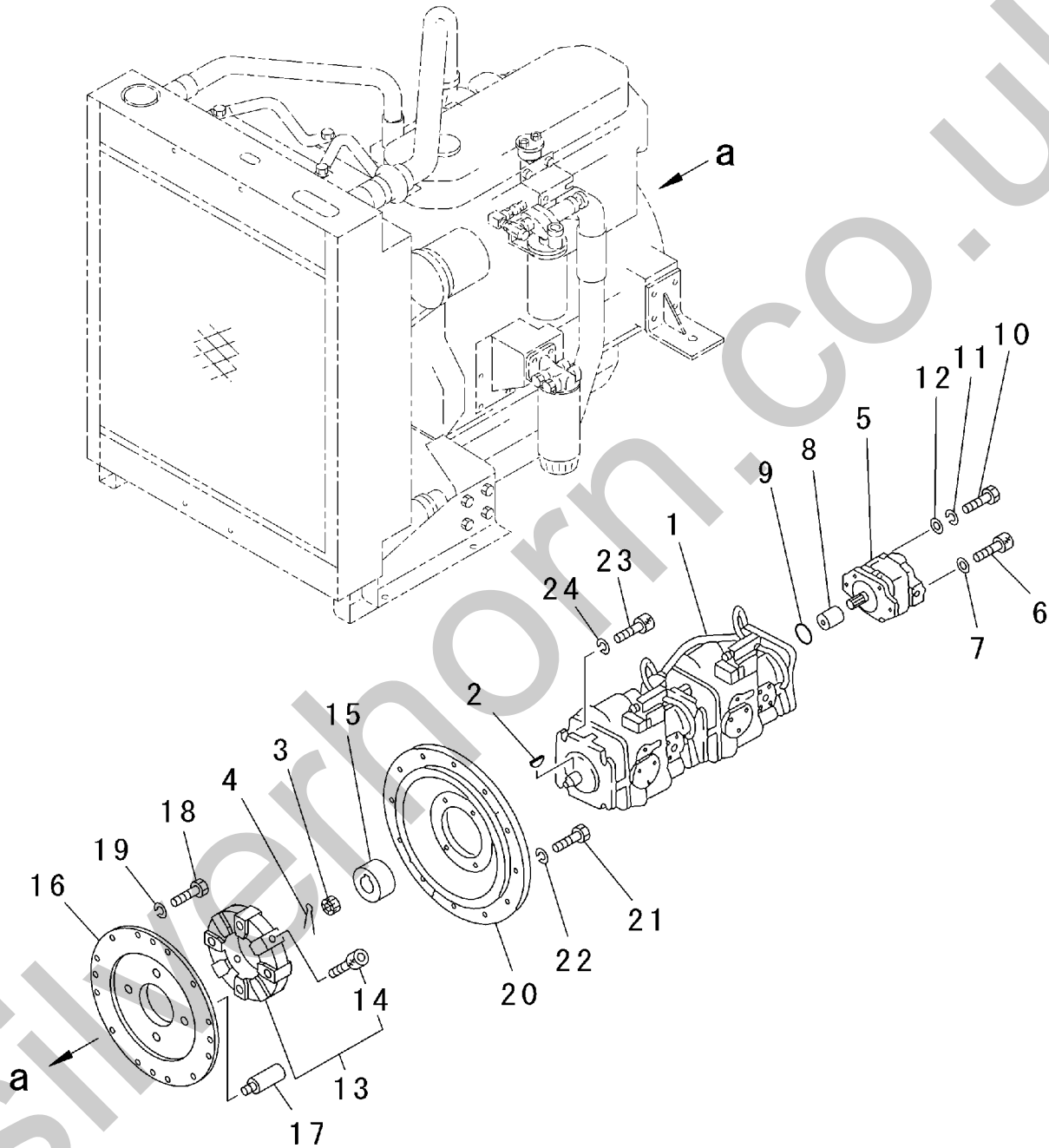
FIG.101 ENGINE RELATED PARTS
(ENGINE MOUNTING PARTS AND RADIATOR)



A 詳細
Detail A

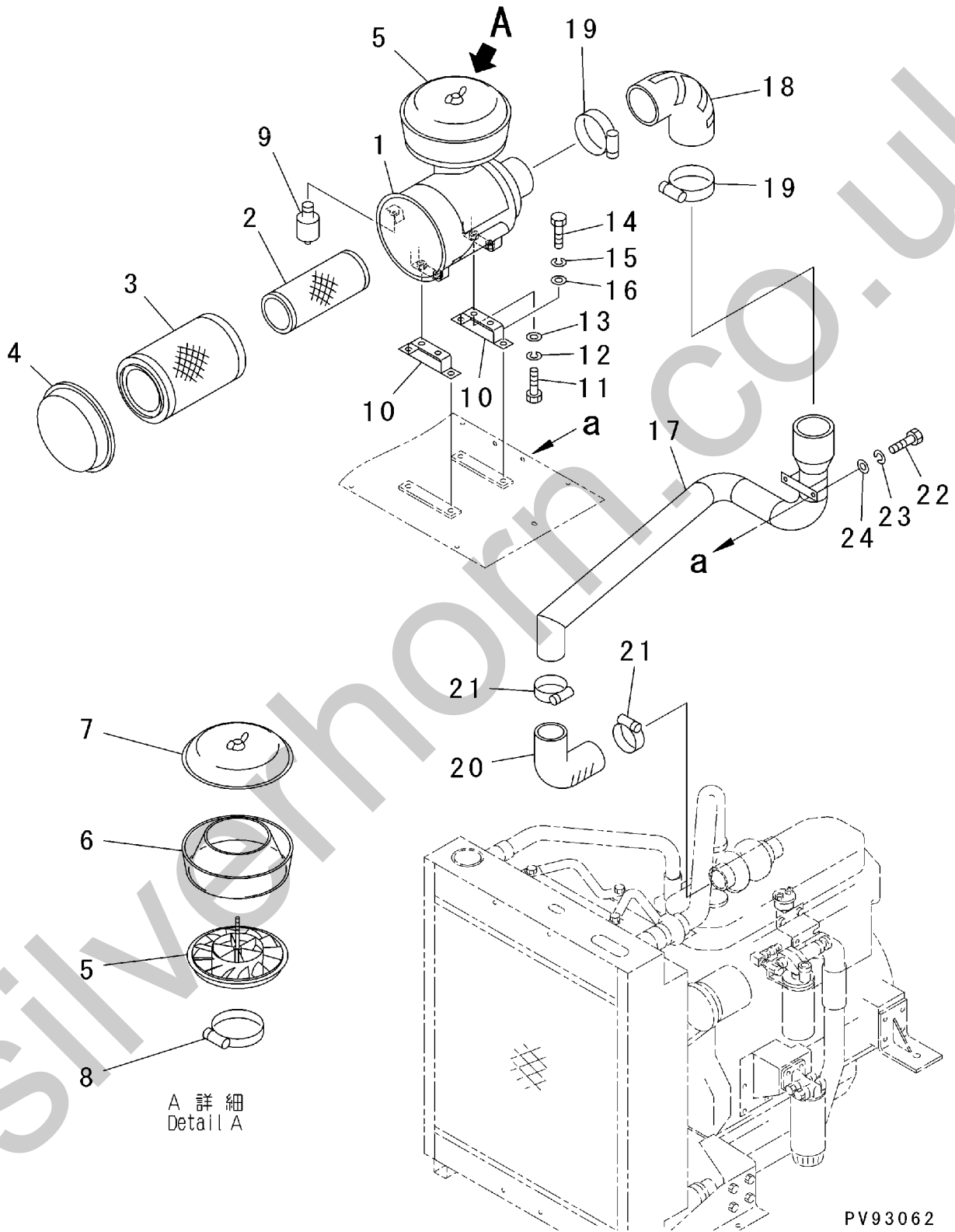
PV93061

FIG.105 ENGINE RELATED PARTS (MAIN PUMP AND MOUNTING PARTS)



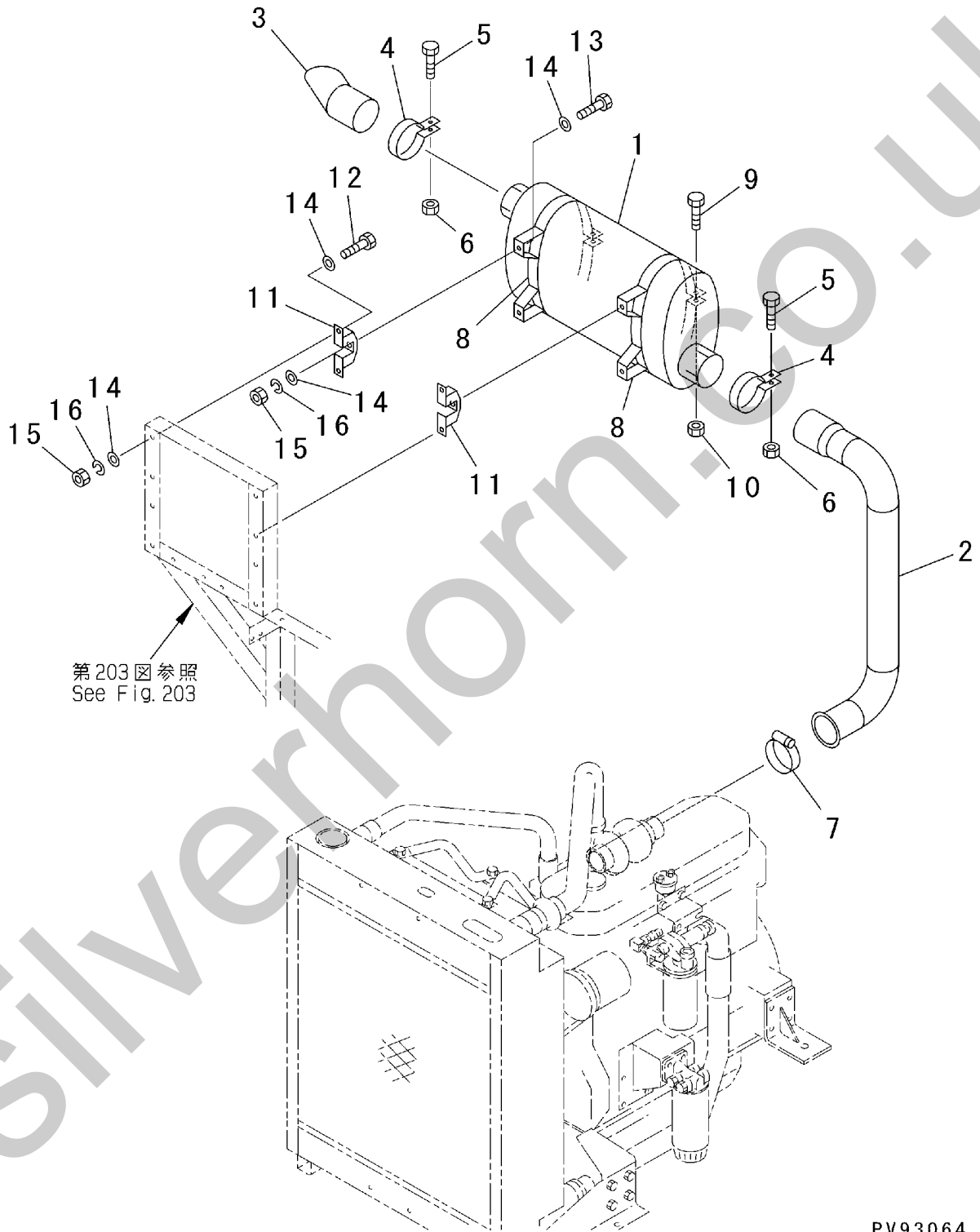
PV93080

FIG.111 ENGINE RELATED PARTS (AIR INTAKE SYSTEM)



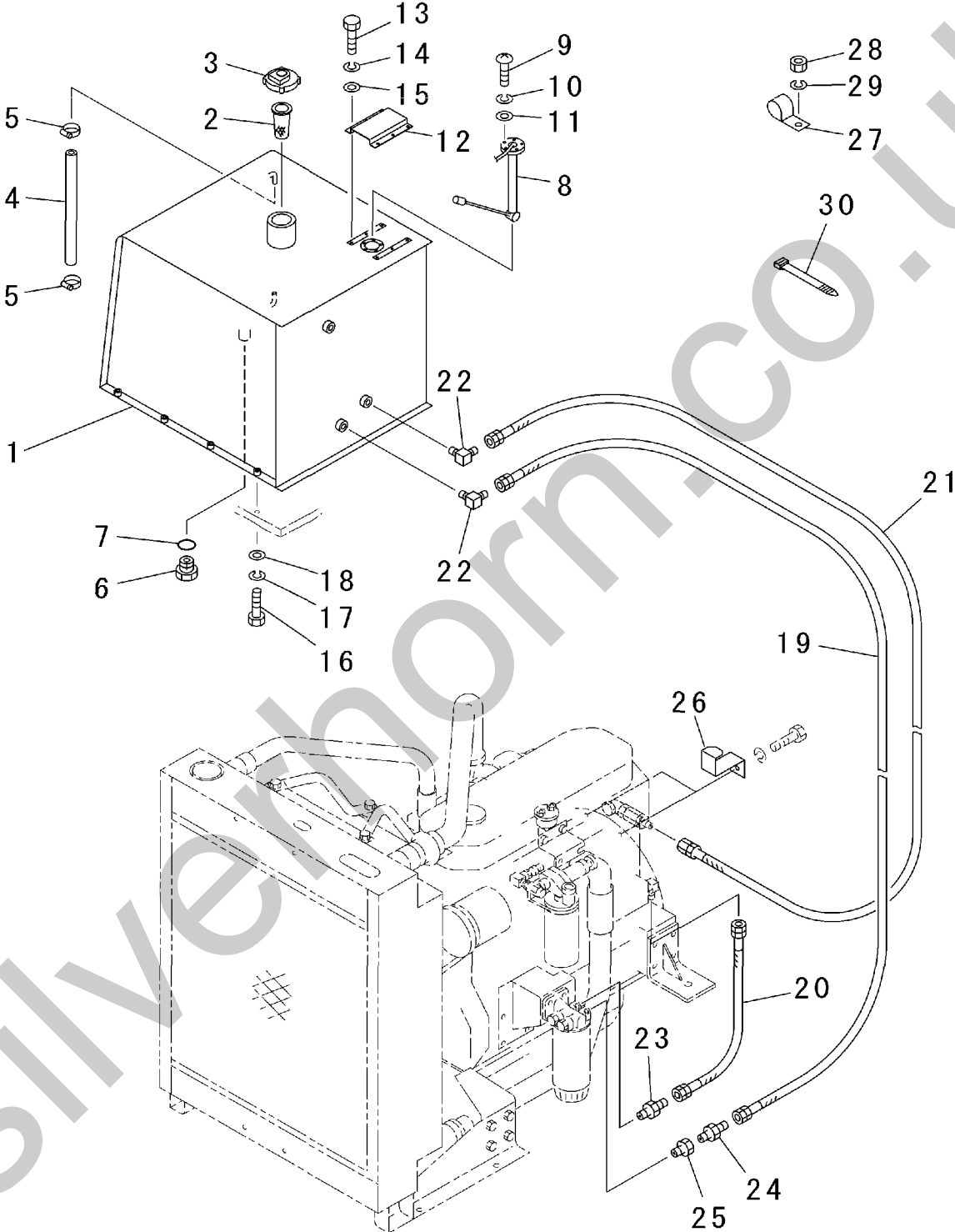
PV93062

FIG.115 ENGINE RELATED PARTS (EXHAUST SYSTEM)



PV93064

FIG.121 FUEL TANK AND FUEL PIPING

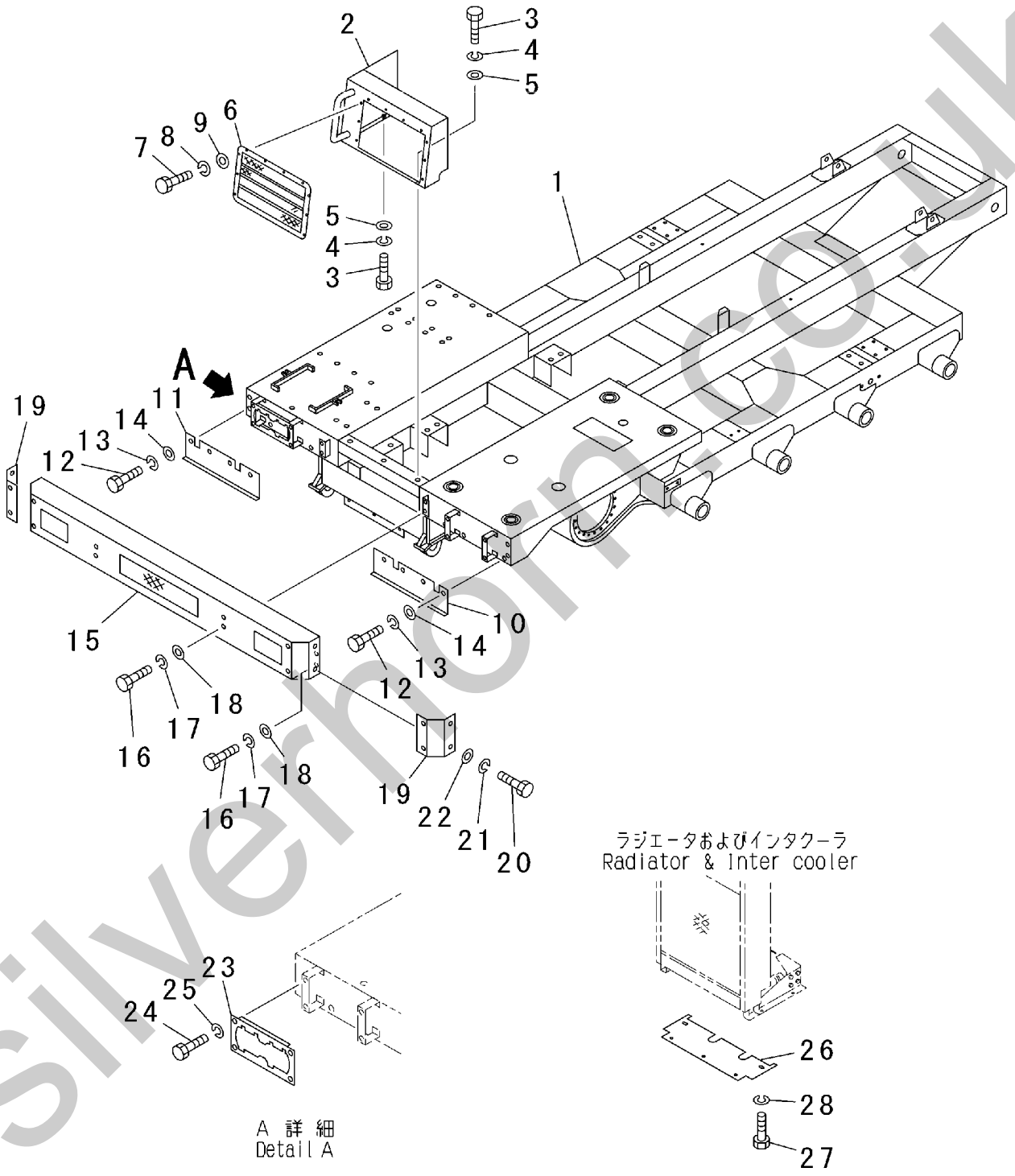


PV93065

FIG.121

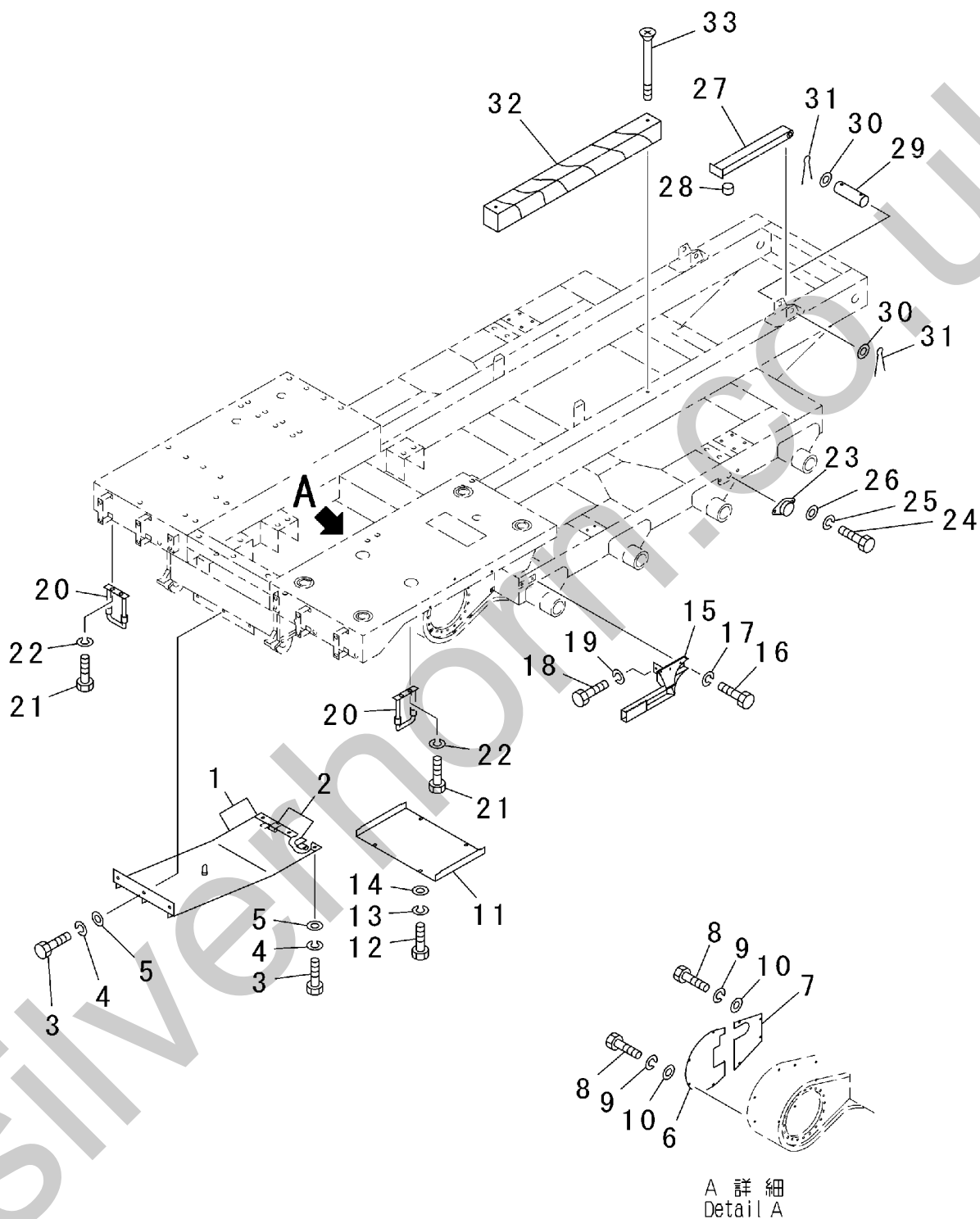
| INDEX | PART NO. | DESCRIPTION | Q'TY | SERIAL NO. |
|-------|--------------|--------------------------------|------|------------|
| | 1-41150-0010 | FUEL TANK ASS'Y | 1 | 223001 ~ |
| 1 | 1-41150-1110 | ・FUEL TANK | 1 | 223001 ~ |
| 2 | 1-51150-1130 | ・STRAINER | 1 | 223001 ~ |
| 3 | 1-51150-1140 | ・CAP (WITH KEY) | 1 | 223001 ~ |
| | 1-51150-1180 | ・・KEY | 1 | 223001 ~ |
| 4 | 0-2150-01045 | FUEL LEVEL TUBE | 1 | 223001 ~ |
| 5 | 0-2700-00012 | CLAMP (JUBILEE 000) | 2 | 223001 ~ |
| 6 | 1-31150-1150 | DRAIN BOLT | 1 | 223001 ~ |
| 7 | 0-2010-02418 | O-RING | 1 | 223001 ~ |
| 8 | 1-32210-1180 | FUEL LEVEL SENSOR | 1 | 223001 ~ |
| 9 | 0-1300-00410 | SCREW (4X10) | 5 | 223001 ~ |
| 10 | 0-1100-00410 | SPRING WASHER (M4) | 5 | 223001 ~ |
| 11 | 0-1130-00408 | PLANE WASHER (M4) | 5 | 223001 ~ |
| 12 | 1-48150-1130 | COVER | 1 | 223001 ~ |
| 13 | 0-1000-00610 | BOLT (M6X10) | 6 | 223001 ~ |
| 14 | 0-1100-00615 | SPRING WASHER (M6) | 6 | 223001 ~ |
| 15 | 0-1120-00616 | PLANE WASHER (M6) | 6 | 223001 ~ |
| 16 | 0-1000-01020 | BOLT (M10X20) | 8 | 223001 ~ |
| 17 | 0-1100-01025 | SPRING WASHER (M10) | 8 | 223001 ~ |
| 18 | 0-1120-01020 | PLANE WASHER (M10) | 8 | 223001 ~ |
| 19 | 0-2232-00326 | FUEL SUPPLY HOSE (3/8X2600) | 1 | 223001 ~ |
| 20 | 1-46150-2220 | FUEL FILTER HOSE (ϕ 3/8) | 1 | 223001 ~ |
| 21 | 1-46150-3230 | FUEL RETURN HOSE (ϕ 3/8) | 1 | 223001 ~ |
| 22 | 0-4300-00203 | ELBOW (PT1/4XPF3/8) | 2 | 223001 ~ |
| 23 | 0-4213-01203 | ELBOW (UNF3/4XPF3/8) | 1 | 223001 ~ |
| | 0-2040-02217 | ・O-RING (908) | 1 | 223001 ~ |
| 24 | 0-4210-00303 | ELBOW (UNF3/4XPF3/8) | 1 | 223001 ~ |
| 25 | 0-4121-01203 | ・O-RING (908) | 1 | 223001 ~ |
| | 0-2040-02217 | NIPPLE (PF3/8XPF3/8) | 1 | 223001 ~ |
| 26 | 1-46150-2310 | HOSE CLAMP BRACKET | 2 | 223001 ~ |
| 27 | 0-2720-02506 | CLIP | 2 | 223001 ~ |
| 28 | 0-1200-00605 | NUT (M6) | 2 | 223001 ~ |
| 29 | 0-1100-00615 | SPRING WASHER (M6) | 2 | 223001 ~ |
| 30 | 0-2800-00202 | STRAP BAND | AR | 223001 ~ |
| | 0-2800-00383 | STRAP BAND | AR | 223001 ~ |
| | | | | |
| | | | | |
| | | | | |
| | | | | |

FIG.201 FRAME RELATED PARTS (1/4)
(RADIATOR COVER AND FRONT GRILLE)



PV93060

FIG.202 FRAME RELATED PARTS (2/4) (UNDER COVER AND STEP)

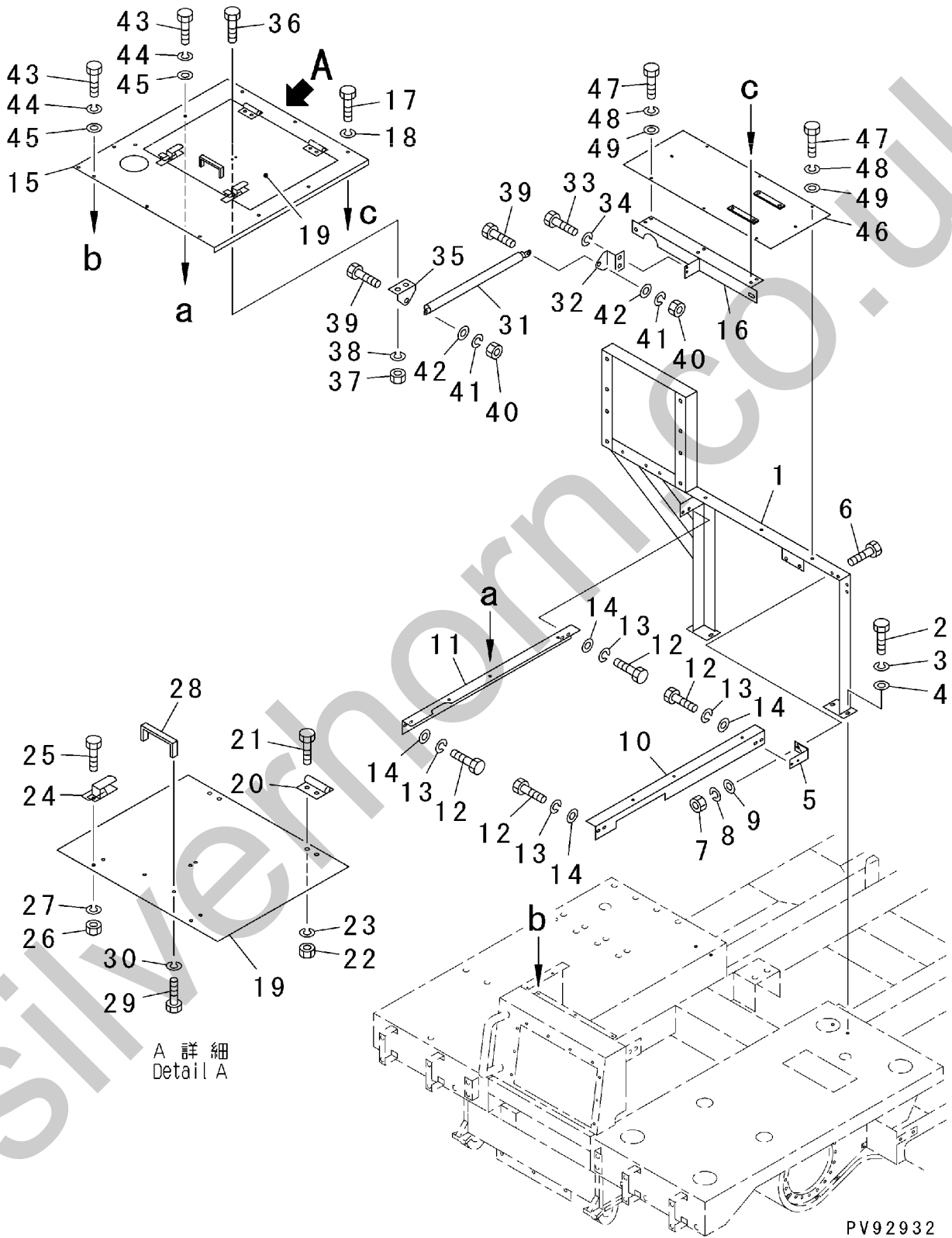


PV92931

FIG.202

| INDEX | PART NO. | DESCRIPTION | Q'TY | SERIAL NO. |
|-------|--------------|------------------------------|------|------------|
| 1 | 1-41520-1680 | UNDER COVER | 1 | 223001 ~ |
| 2 | 1-41520-1820 | ·HINGE (WELDED) | 2 | 223001 ~ |
| 3 | 0-1000-01025 | BOLT (M10X25) | 6 | 223001 ~ |
| 4 | 0-1100-01025 | SPRING WASHER (M10) | 6 | 223001 ~ |
| 5 | 0-1120-01020 | PLANE WASHER (M10) | 6 | 223001 ~ |
| 6 | 1-41520-1720 | L.H. SIDE TRAVEL MOTOR COVER | 1 | 223001 ~ |
| | 1-41520-1710 | R.H. SIDE TRAVEL MOTOR COVER | 1 | 223001 ~ |
| 7 | 1-41520-1740 | L.H. SIDE TRAVEL MOTOR COVER | 1 | 223001 ~ |
| | 1-41520-1730 | R.H. SIDE TRAVEL MOTOR COVER | 1 | 223001 ~ |
| 8 | 0-1000-01020 | BOLT (M10X20) | 16 | 223001 ~ |
| 9 | 0-1100-01025 | SPRING WASHER (M10) | 16 | 223001 ~ |
| 10 | 0-1120-01020 | PLANE WASHER (M10) | 16 | 223001 ~ |
| 11 | 1-41520-1780 | AIR CONDITIONER COVER | 1 | 223001 ~ |
| 12 | 0-1000-01020 | BOLT (M10X20) | 4 | 223001 ~ |
| 13 | 0-1100-01025 | SPRING WASHER (M10) | 4 | 223001 ~ |
| 14 | 0-1120-01020 | PLANE WASHER (M10) | 4 | 223001 ~ |
| 15 | 1-41520-2040 | STEP | 1 | 223001 ~ |
| 16 | 0-1000-31025 | BOLT (M10X25) | 2 | 223001 ~ |
| 17 | 0-1100-31025 | SPRING WASHER (M10) | 2 | 223001 ~ |
| 18 | 0-1000-31230 | BOLT (M12X30) | 2 | 223001 ~ |
| 19 | 0-1100-31230 | SPRING WASHER (M12) | 2 | 223001 ~ |
| 20 | 1-48520-1420 | STEP | 2 | 223001 ~ |
| 21 | 0-1000-01025 | BOLT (M10X25) | 4 | 223001 ~ |
| 22 | 0-1100-01025 | SPRING WASHER (M10) | 4 | 223001 ~ |
| 23 | 1-11510-1210 | CAP | 2 | 223001 ~ |
| 24 | 0-1000-00616 | BOLT (M6X16) | 4 | 223001 ~ |
| 25 | 0-1100-00615 | SPRING WASHER (M6) | 4 | 223001 ~ |
| 26 | 0-1120-00616 | PLANE WASHER (M6) | 4 | 223001 ~ |
| 27 | 1-32710-1621 | SAFETY BAR | 2 | 223001 ~ |
| 28 | 1-32710-1650 | CUSHION | 2 | 223001 ~ |
| 29 | 1-32710-1630 | PIN | 2 | 223001 ~ |
| 30 | 0-1120-02032 | PLANE WASHER (M20) | 4 | 223001 ~ |
| 31 | 0-3220-00532 | COTTER PIN (5X32) | 4 | 223001 ~ |
| 32 | 1-32510-1310 | CUSHION BLOCK | 2 | 223001 ~ |
| 33 | 0-1311-01020 | BOLT (M10X120) | 4 | 223001 ~ |
| | | | | |
| | | | | |
| | | | | |
| | | | | |
| | | | | |

FIG.203 FRAME RELATED PARTS (3/4) (ENGINE BONNET) (FOR JAPAN)



A 詳細
Detail A

PV92932

FIG.203

| INDEX | PART NO. | DESCRIPTION | Q'TY | SERIAL NO. |
|-------|--------------|----------------------|------|------------|
| 1 | 1-46520-2410 | REAR SUPPORT | 1 | 223001 ~ |
| 2 | 0-1000-01230 | BOLT (M12X30) | 4 | 223001 ~ |
| 3 | 0-1100-01230 | SPRING WASHER (M12) | 4 | 223001 ~ |
| 4 | 0-1120-01223 | PLANE WASHER (M12) | 4 | 223001 ~ |
| 5 | 1-41520-1510 | SUPPORT | 1 | 223001 ~ |
| 6 | 0-1000-01235 | BOLT (M12X35) | 2 | 223001 ~ |
| 7 | 0-1200-01210 | NUT (M12) | 2 | 223001 ~ |
| 8 | 0-1100-01230 | SPRING WASHER (M12) | 2 | 223001 ~ |
| 9 | 0-1120-01223 | PLANE WASHER (M12) | 2 | 223001 ~ |
| 10 | 1-46520-2490 | L.H. SIDE BRACKET | 1 | 223001 ~ |
| 11 | 1-46520-2480 | R.H. SIDE BRACKET | 1 | 223001 ~ |
| 12 | 0-1000-01225 | BOLT (M12X25) | 8 | 223001 ~ |
| 13 | 0-1100-01230 | SPRING WASHER (M12) | 8 | 223001 ~ |
| 14 | 0-1120-01223 | PLANE WASHER (M12) | 8 | 223001 ~ |
| | 1-46520-2470 | BONNET ASS'Y | 1 | 223001 ~ |
| 15 | 1-46520-2450 | ·BONNET | 1 | 223001 ~ |
| 16 | 1-46520-2440 | ·BRACKET | 1 | 223001 ~ |
| 17 | 0-1000-01025 | ·BOLT (M10X25) | 3 | 223001 ~ |
| 18 | 0-1100-01025 | ·SPRING WASHER (M10) | 3 | 223001 ~ |
| 19 | 1-46520-2460 | ·COVER | 1 | 223001 ~ |
| 20 | 1-41520-1860 | ·HINGE | 2 | 223001 ~ |
| 21 | 0-1000-00516 | ·BOLT (M5X16) | 4 | 223001 ~ |
| 22 | 0-1200-00504 | ·NUT (M5) | 4 | 223001 ~ |
| 23 | 0-1100-00513 | ·SPRING WASHER (M5) | 4 | 223001 ~ |
| 24 | 1-29520-1521 | ·CATCHER | 2 | 223001 ~ |
| 25 | 0-1000-00616 | ·BOLT (M6X16) | 4 | 223001 ~ |
| 26 | 0-1200-00605 | ·NUT (M6) | 4 | 223001 ~ |
| 27 | 0-1100-00615 | ·SPRING WASHER (M6) | 4 | 223001 ~ |
| 28 | 1-41520-1380 | ·HANDLE | 1 | 223001 ~ |
| 29 | 0-1000-00610 | ·BOLT (M6X10) | 2 | 223001 ~ |
| 30 | 0-1100-00615 | ·SPRING WASHER (M6) | 2 | 223001 ~ |
| 31 | 1-41520-1670 | ·DAMPER | 1 | 223001 ~ |
| 32 | 1-41520-1360 | ·BRACKET | 1 | 223001 ~ |
| 33 | 0-1000-00612 | ·BOLT (M6X12) | 2 | 223001 ~ |
| 34 | 0-1100-00615 | ·SPRING WASHER (M6) | 2 | 223001 ~ |
| 35 | 1-41520-1350 | ·BRACKET | 1 | 223001 ~ |
| 36 | 0-1000-00616 | ·BOLT (M6X16) | 2 | 223001 ~ |
| 37 | 0-1200-00605 | ·NUT (M6) | 2 | 223001 ~ |
| 38 | 0-1100-00615 | ·SPRING WASHER (M6) | 2 | 223001 ~ |
| 39 | 1-41520-1370 | ·BOLT | 2 | 223001 ~ |

FIG.203 FRAME RELATED PARTS (3/4) (ENGINE BONNET) (FOR JAPAN)

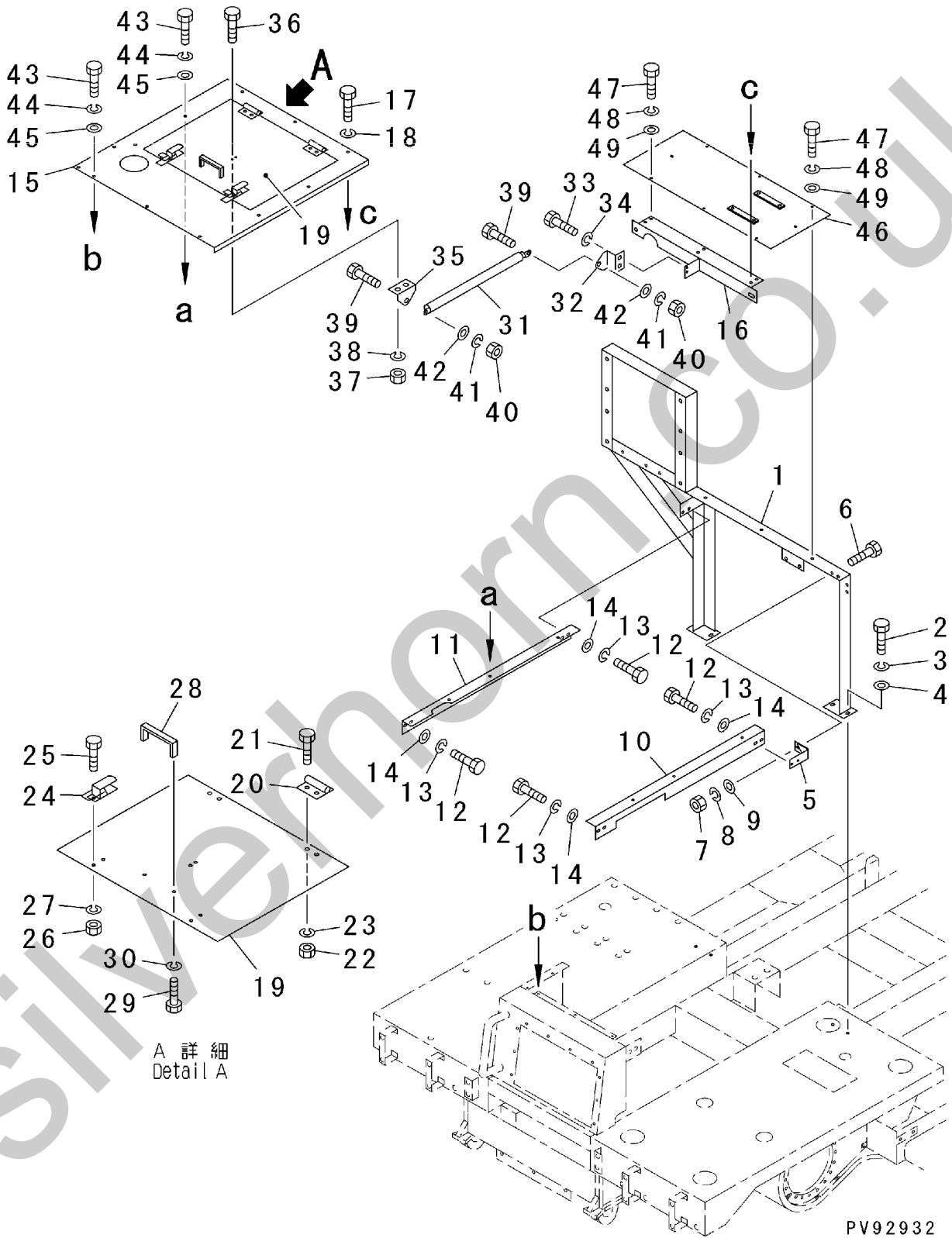
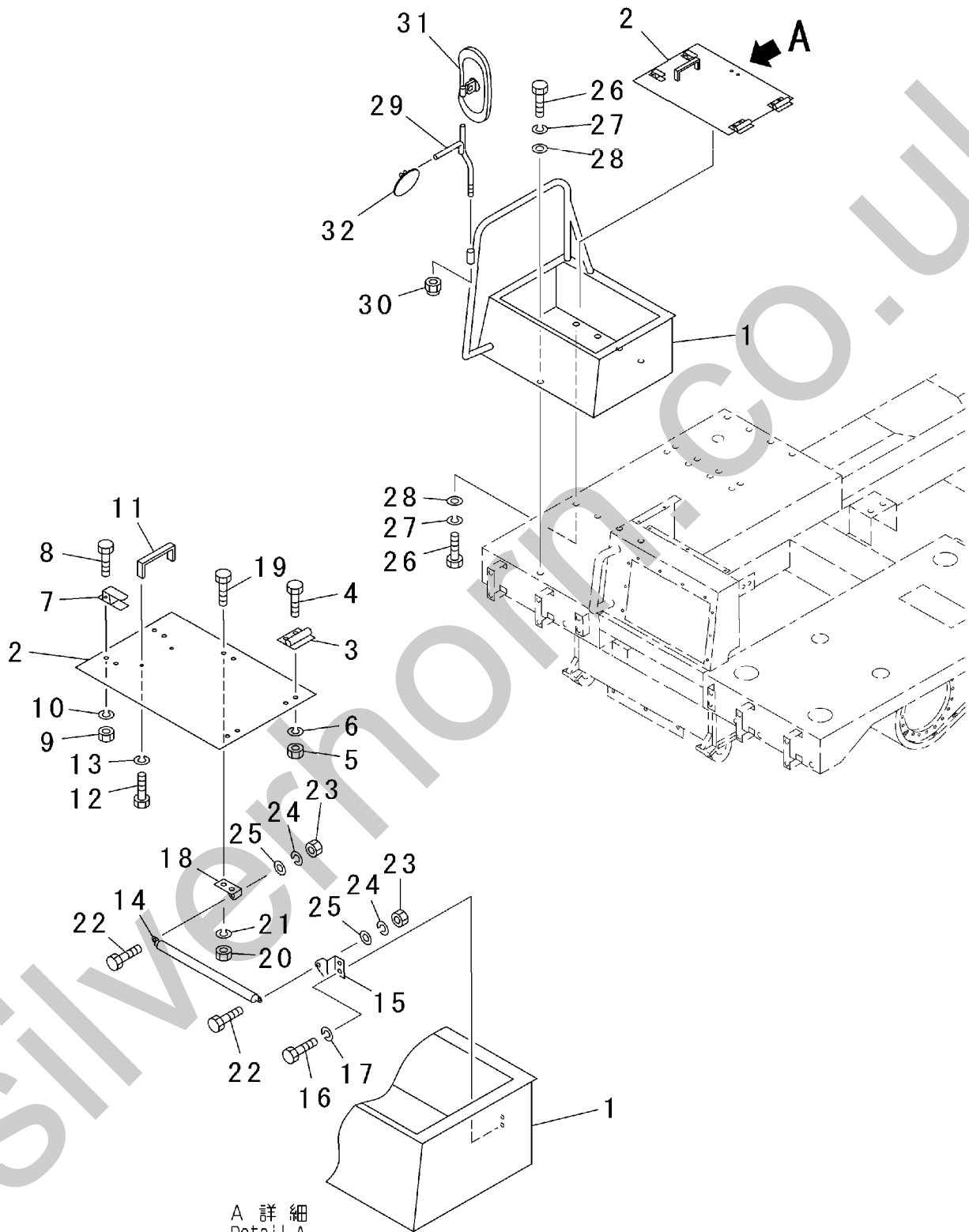
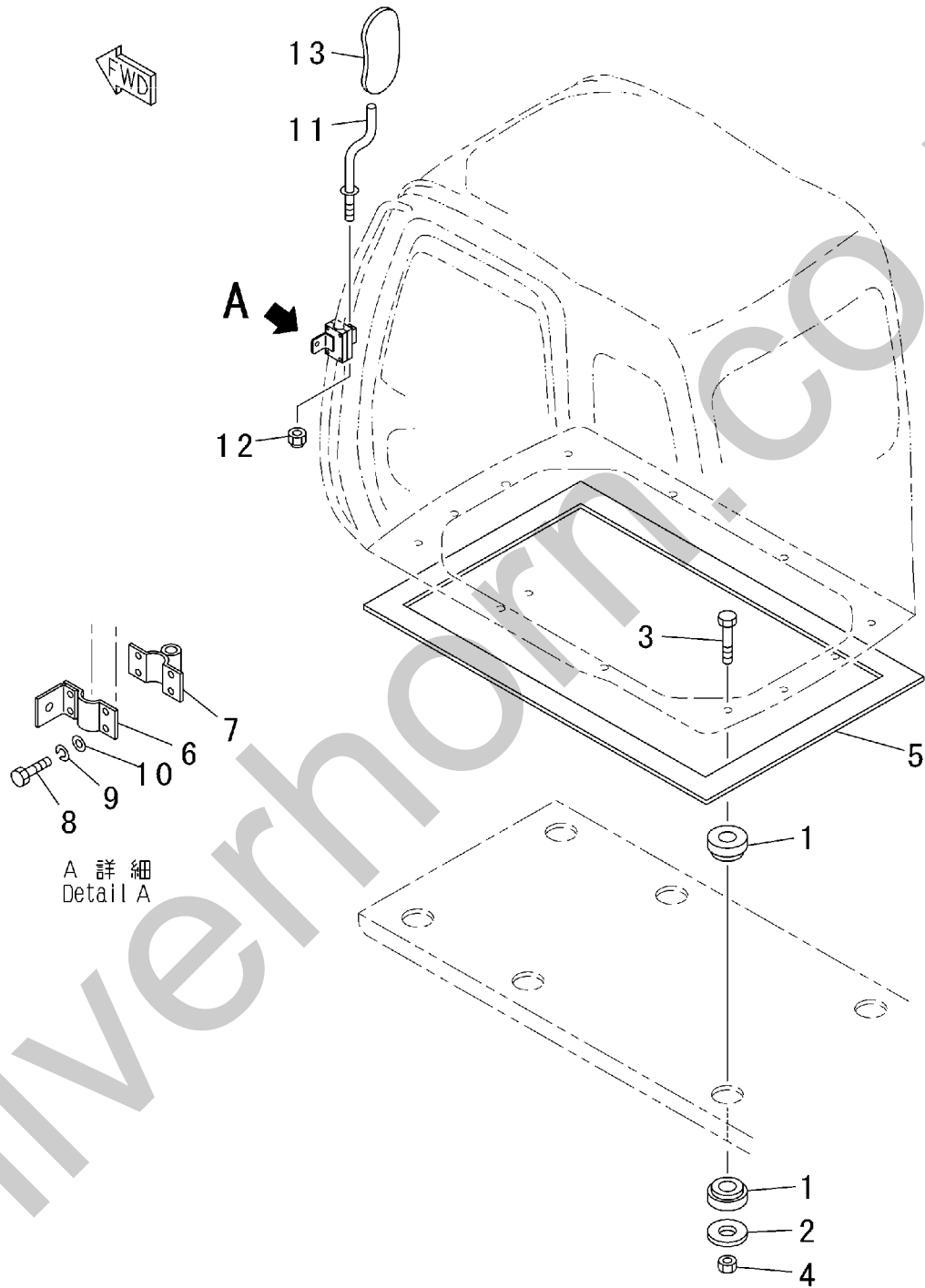


FIG.204 FRAME RELATED PARTS (4/4) (BATTERY BOX)



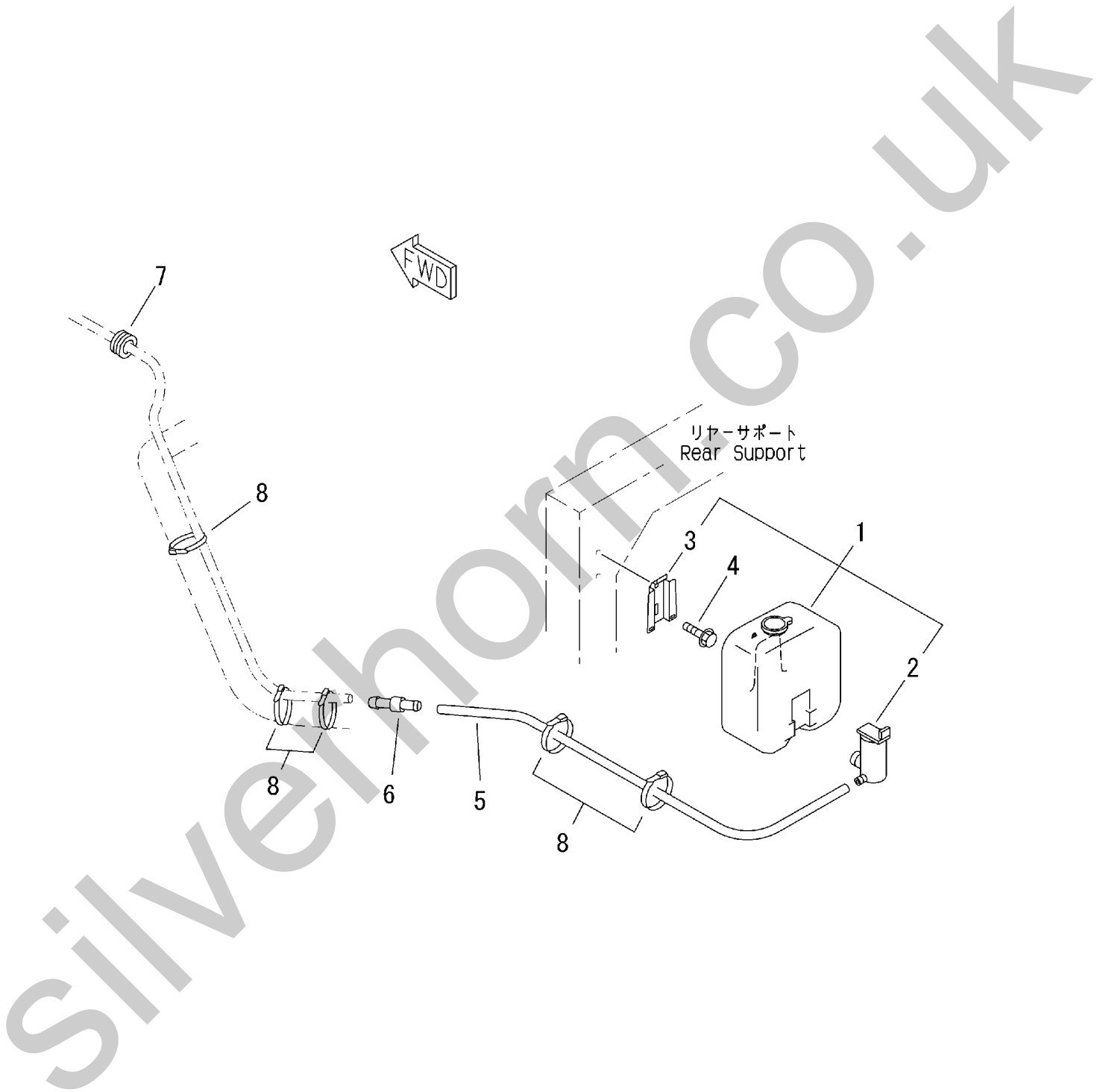
PV92933

FIG. 211 CAB RELATED PARTS (CAB MOUNTING PARTS)



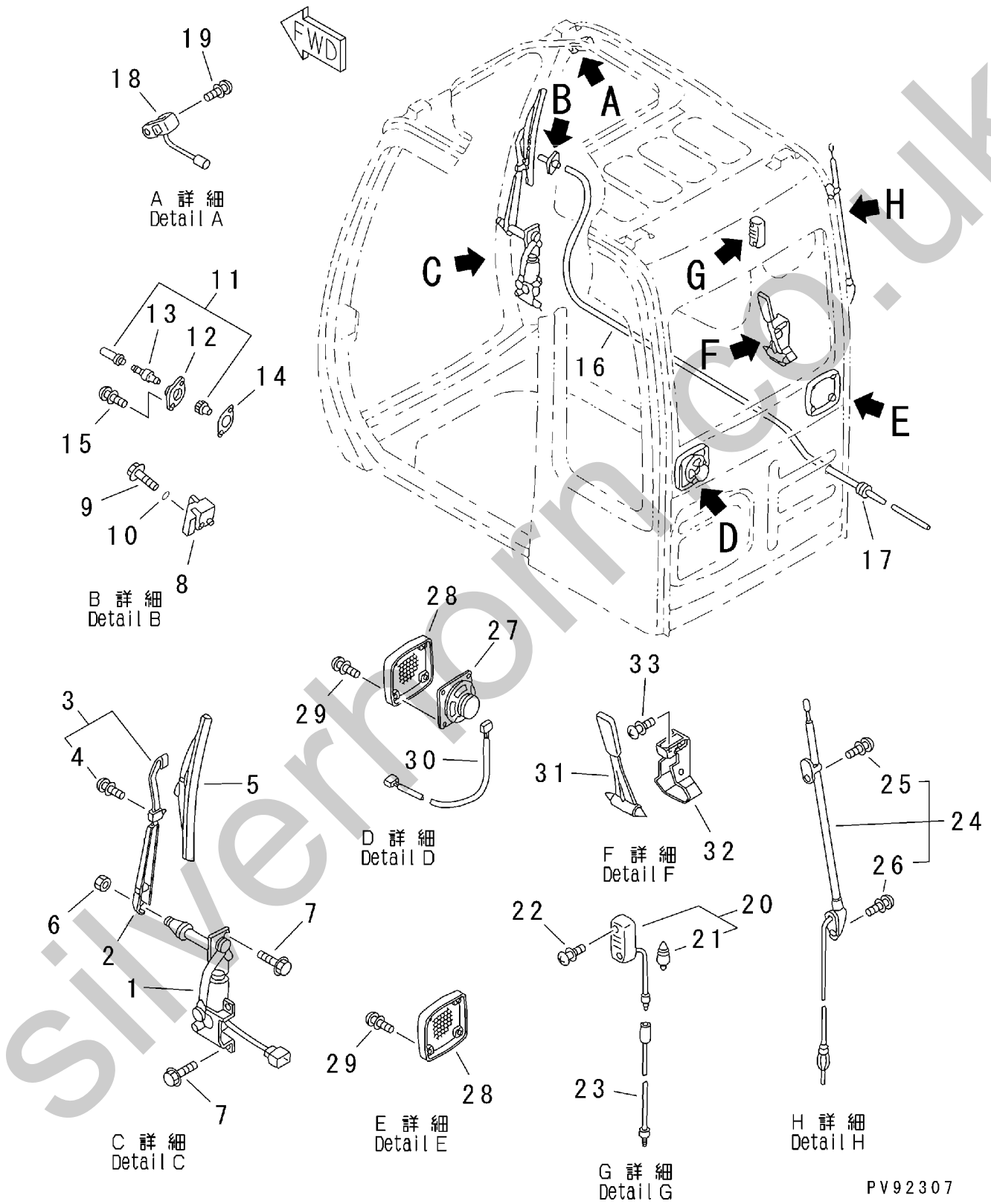
PV92934

FIG.213 CAB RELATED PARTS (WINDOW WASHER)



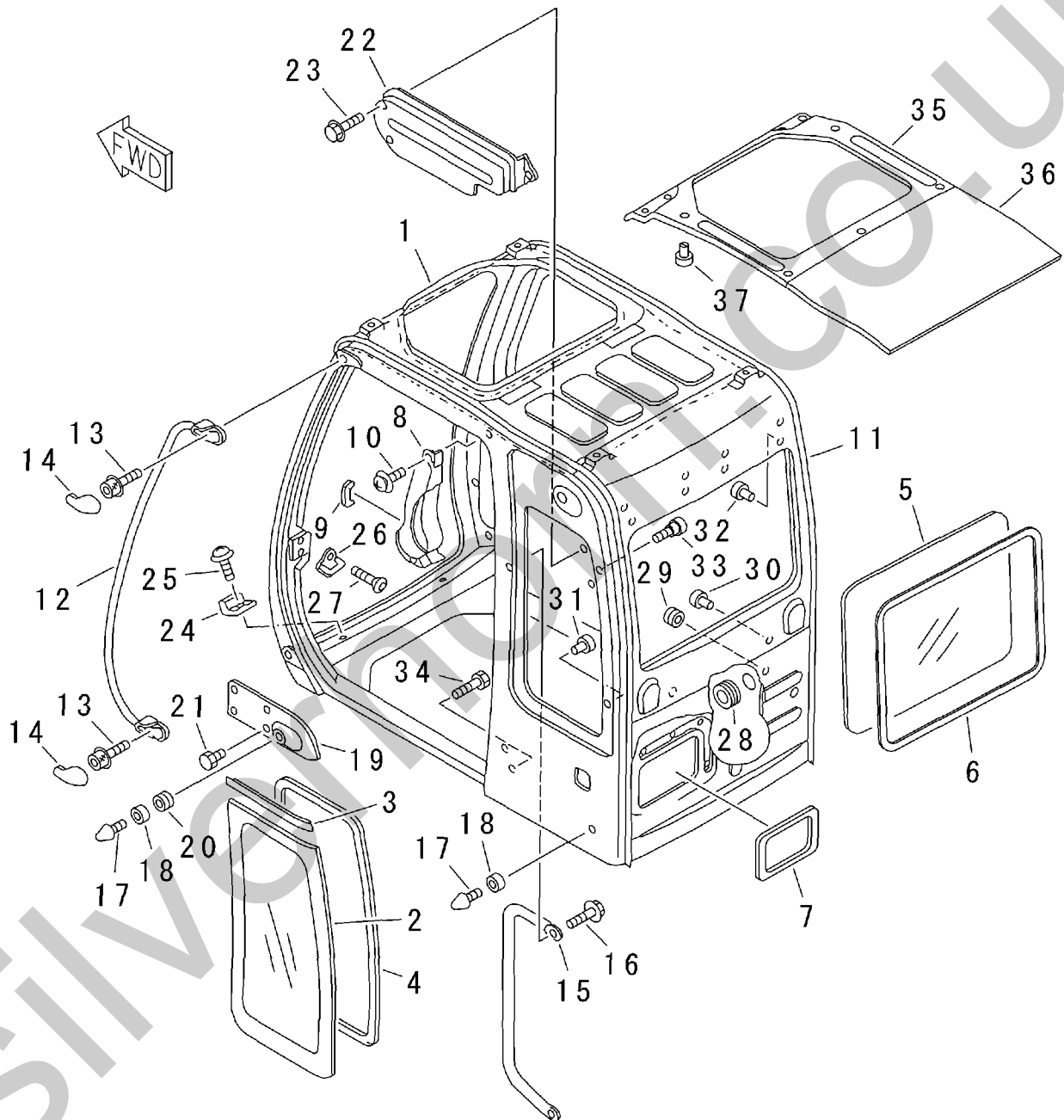
PV92306

FIG.221 CAB (1/6) (WIPER MOTOR AND SPEAKER)



PV92307

FIG.222 CAB (2/6) (L.H. SIDE, REAR SIDE WINDOW AND HANDRAIL)

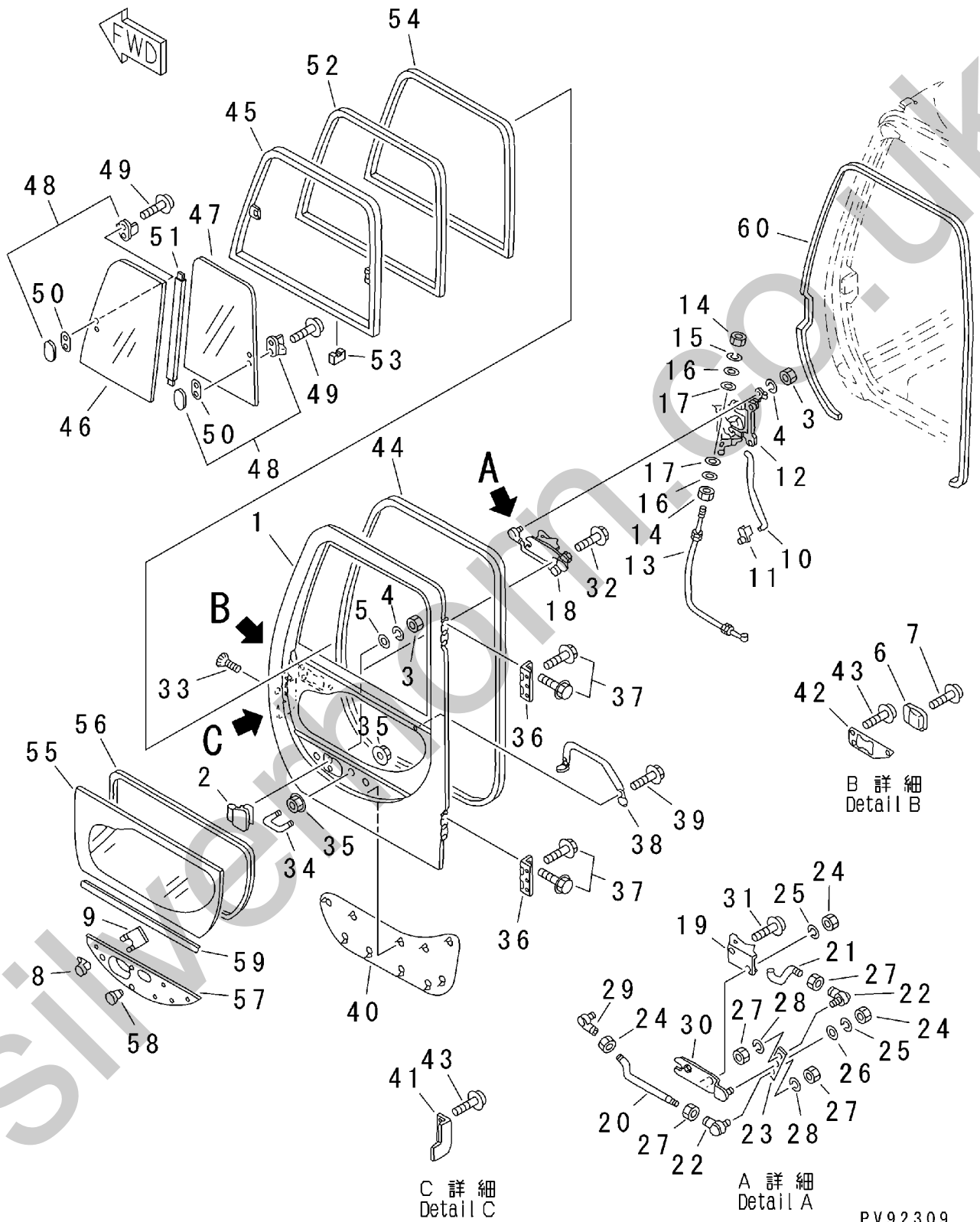


PV92308

FIG.222

| INDEX | PART NO. | DESCRIPTION | Q'TY | SERIAL NO. |
|-------|-----------|------------------------|------|------------|
| 1 | HC4369550 | CAB | 1 | 223001 ~ |
| 2 | HC4369556 | L.H. SIDE WINDOW GLASS | 1 | 223001 ~ |
| 3 | HC4369559 | RUBBER SEAL | 1 | 223001 ~ |
| 4 | HC4400079 | RUBBER SEAL | 1 | 223001 ~ |
| 5 | HC4369555 | REAR SIDE WINDOW GLASS | 1 | 223001 ~ |
| 6 | HC4369554 | RUBBER SEAL | 1 | 223001 ~ |
| 7 | HC4369585 | RUBBER SEAL | 1 | 223001 ~ |
| 8 | HC4369565 | COVER | 1 | 223001 ~ |
| 9 | HC4369566 | RUBBER SEAL | 1 | 223001 ~ |
| 10 | HCJ680614 | SEMS SCREW (M6X14) | 3 | 223001 ~ |
| 11 | HC4369574 | RUBBER SEAL | 1 | 223001 ~ |
| 12 | HC4369571 | HANDRAIL | 1 | 223001 ~ |
| 13 | HC4369573 | SOCKET HEAD BOLT | 2 | 223001 ~ |
| 14 | HC4369572 | COVER | 2 | 223001 ~ |
| 15 | HC4369625 | HANDRAIL | 1 | 223001 ~ |
| 16 | HC4372219 | SEMS BOLT | 2 | 223001 ~ |
| 17 | HC4204586 | STOPPER | 2 | 223001 ~ |
| 18 | HC4369561 | SPACER | 2 | 223001 ~ |
| 19 | HC4369557 | PANEL | 1 | 223001 ~ |
| 20 | HC4372089 | RUBBER BUSHING | 1 | 223001 ~ |
| 21 | HC4369659 | CLIP | 4 | 223001 ~ |
| 22 | HC4369567 | COVER | 1 | 223001 ~ |
| 23 | HC4372222 | SEMS BOLT | 3 | 223001 ~ |
| 24 | HC4369675 | RUBBER SHEET | 2 | 223001 ~ |
| 25 | HCJ680614 | SEMS SCREW (M6X14) | 2 | 223001 ~ |
| 26 | HC4369627 | STRIKER | 1 | 223001 ~ |
| 27 | HC4320163 | SCREW | 2 | 223001 ~ |
| 28 | HC4369568 | RUBBER BUSHING | 1 | 223001 ~ |
| 29 | HC4369569 | RUBBER BUSHING | 1 | 223001 ~ |
| 30 | HC4372087 | RUBBER STOPPER | 2 | 223001 ~ |
| 31 | HC4369626 | RUBBER BUSHING | 1 | 223001 ~ |
| 32 | HC4372088 | CLIP | 8 | 223001 ~ |
| 33 | HC4295573 | HOOK | 1 | 223001 ~ |
| 34 | HC4320150 | BOLT | 1 | 223001 ~ |
| 35 | HC4369552 | SHEET | 1 | 223001 ~ |
| 36 | HC4369551 | SHEET | 1 | 223001 ~ |
| 37 | HC4369614 | CLIP | 12 | 223001 ~ |
| | | | | |
| | | | | |
| | | | | |

FIG.223 CAB (3/6) (CAB DOOR)

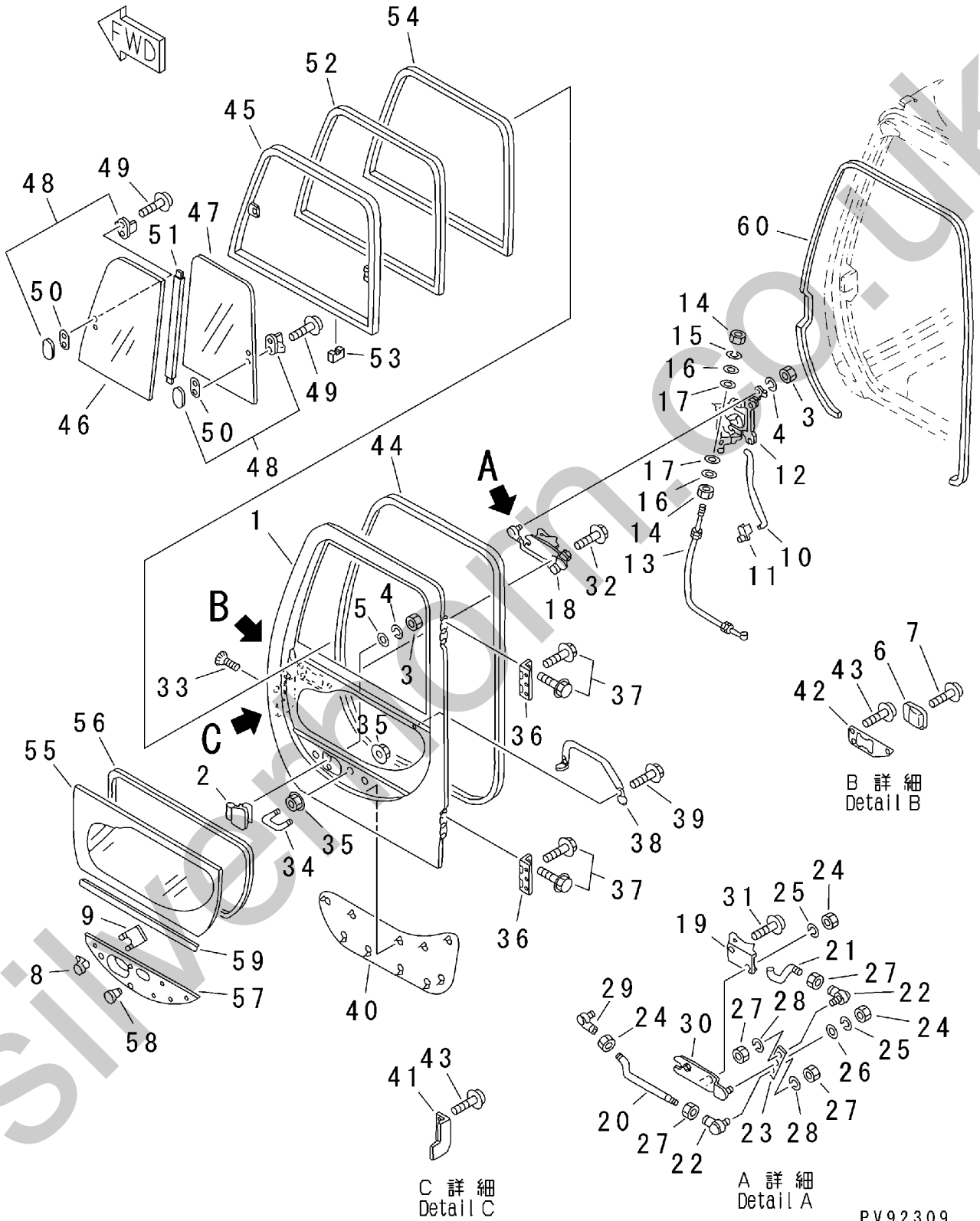


PV92309

FIG.223

| INDEX | PART NO. | DESCRIPTION | Q'TY | SERIAL NO. |
|-------|-----------|----------------------|------|------------|
| | HC4369629 | DOOR ASS'Y | 1 | 223001 ~ |
| 1 | HC4369630 | ·DOOR | 1 | 223001 ~ |
| 2 | HC4369645 | ·OUTER HANDLE | 1 | 223001 ~ |
| 3 | HCM500605 | ·NUT | 3 | 223001 ~ |
| 4 | HCA590906 | ·SPRING WASHER | 3 | 223001 ~ |
| 5 | HCA590106 | ·PLANE WASHER | 2 | 223001 ~ |
| 6 | HC4369633 | ·COVER | 1 | 223001 ~ |
| 7 | HCJ660512 | ·SEMS SCREW (M5X12) | 1 | 223001 ~ |
| 8 | HC4362135 | ·DOOR LOCK | 1 | 223001 ~ |
| 9 | HC4372091 | ·CLIP | 1 | 223001 ~ |
| 10 | HC4369643 | ·ROD | 1 | 223001 ~ |
| 11 | HC4372092 | ·HOLDER | 1 | 223001 ~ |
| 12 | HC4369631 | ·DOOR LOCK | 1 | 223001 ~ |
| 13 | HC4369642 | ·WIRE | 1 | 223001 ~ |
| 14 | HCM500504 | ·NUT | 2 | 223001 ~ |
| 15 | HCA590905 | ·SPRING WASHER | 1 | 223001 ~ |
| 16 | HCA590105 | ·PLANE WASHER | 2 | 223001 ~ |
| 17 | HCA590108 | ·PLANE WASHER | 2 | 223001 ~ |
| 18 | HC4369634 | ·INNER HANDLE ASS'Y | 1 | 223001 ~ |
| 19 | HC4369635 | ··LEVER | 1 | 223001 ~ |
| 20 | HC4369636 | ··ROD | 1 | 223001 ~ |
| 21 | HC4369637 | ··ROD | 1 | 223001 ~ |
| 22 | HC4369638 | ··BALL JOINT | 2 | 223001 ~ |
| 23 | HC4369639 | ··PLATE | 1 | 223001 ~ |
| 24 | HC4372215 | ··NUT | 3 | 223001 ~ |
| 25 | HCA590906 | ··SPRING WASHER | 2 | 223001 ~ |
| 26 | HCA590106 | ··PLANE WASHER | 1 | 223001 ~ |
| 27 | HC4372216 | ··NUT | 4 | 223001 ~ |
| 28 | HCA590904 | ··SPRING WASHER | 2 | 223001 ~ |
| 29 | HC4369640 | ··BALL JOINT | 1 | 223001 ~ |
| 30 | HC4369641 | ··LEVER BRACKET | 1 | 223001 ~ |
| 31 | HCJ450614 | ··SEMS SCREW (M6X14) | 1 | 223001 ~ |
| 32 | HCJ680616 | ·SEMS SCREW (M6X16) | 2 | 223001 ~ |
| 33 | HC4382885 | ·SEMS SCREW | 3 | 223001 ~ |
| 34 | HC4369661 | ·U-BOLT | 1 | 223001 ~ |
| 35 | HC4295662 | ·NUT | 4 | 223001 ~ |
| 36 | HC4369648 | ·DOOR HINGE | 2 | 223001 ~ |
| 37 | HC4372261 | ·SEMS BOLT | 12 | 223001 ~ |
| 38 | HC4369646 | ·HANDRAIL | 1 | 223001 ~ |
| 39 | HC4372225 | ·SEMS BOLT | 2 | 223001 ~ |

FIG.223 CAB (3/6) (CAB DOOR)



PV92309

FIG.224

| INDEX | PART NO. | DESCRIPTION | Q'TY | SERIAL NO. |
|-------|-----------|--------------------------|------|------------|
| | HC4369595 | FRONT SIDE WINDOW ASS'Y | 1 | 223001 ~ |
| 1 | HC4369596 | ·FRONT SIDE WINDOW FRAME | 1 | 223001 ~ |
| 2 | HC4369604 | ·BRACKET | 1 | 223001 ~ |
| 3 | HC4369603 | ·BRACKET | 1 | 223001 ~ |
| 4 | HC4369602 | ·CASE | 1 | 223001 ~ |
| 5 | HC4369598 | ·CASE | 1 | 223001 ~ |
| 6 | HC4369599 | ·SHAFT | 2 | 223001 ~ |
| 7 | HC4295480 | ·LEVER | 2 | 223001 ~ |
| 8 | HC494918 | ·SPRING | 2 | 223001 ~ |
| 9 | HC4295876 | ·COVER | 2 | 223001 ~ |
| 10 | HC4369600 | ·COVER | 2 | 223001 ~ |
| 11 | HCJ680514 | ·SEMS SCREW (M5X14) | 2 | 223001 ~ |
| 12 | HC4372225 | ·SEMS BOLT | 4 | 223001 ~ |
| 13 | HC4369606 | ·ROLLER | 4 | 223001 ~ |
| 14 | HC4372226 | ·SEMS BOLT | 4 | 223001 ~ |
| 15 | HC4369607 | ·RUBBER SHEET | 1 | 223001 ~ |
| 16 | HC4369608 | ·PLATE | 1 | 223001 ~ |
| 17 | HC4372214 | ·TAPPING SCREW | 4 | 223001 ~ |
| 18 | HC4369605 | ·STRIKER | 1 | 223001 ~ |
| 19 | HC4295662 | ·NUT | 4 | 223001 ~ |
| 20 | HC4204579 | ·HANDLE | 2 | 223001 ~ |
| 21 | HCJ460616 | ·SEMS SCREW (M6X16) | 4 | 223001 ~ |
| 22 | HC4369609 | FRONT SIDE WINDOW GLASS | 1 | 223001 ~ |
| 23 | HC4369610 | RUBBER SEAL | 1 | 223001 ~ |
| | HC4369587 | LOWER SIDE WINDOW ASS'Y | 1 | 223001 ~ |
| 24 | HC4369588 | ·LOWER SIDE WINDOW GLASS | 1 | 223001 ~ |
| 25 | HC4369590 | ·LATCH | 1 | 223001 ~ |
| 26 | HC4369593 | ·LATCH | 1 | 223001 ~ |
| 27 | HC4369591 | ·SHAFT | 1 | 223001 ~ |
| 28 | HC4204547 | ·PIN | 1 | 223001 ~ |
| 29 | HC494918 | ·SPRING | 2 | 223001 ~ |
| 30 | HC4295480 | ·LEVER | 2 | 223001 ~ |
| 31 | HC4295876 | ·COVER | 2 | 223001 ~ |
| 32 | HC4369594 | ·PACKING | 2 | 223001 ~ |
| 33 | HC4372213 | ·SCREW | 4 | 223001 ~ |
| 34 | HC4372561 | ·PLANE WASHER | 4 | 223001 ~ |
| 35 | HC4369674 | ·RETAINER | 4 | 223001 ~ |
| 36 | HC4369586 | RUBBER SEAL | 1 | 223001 ~ |
| 37 | HC4369578 | STOPPER | 4 | 223001 ~ |
| 38 | HC4372211 | SEMS SCREW | 12 | 223001 ~ |

FIG.224 CAB (4/6) (FRONT SIDE WINDOW)

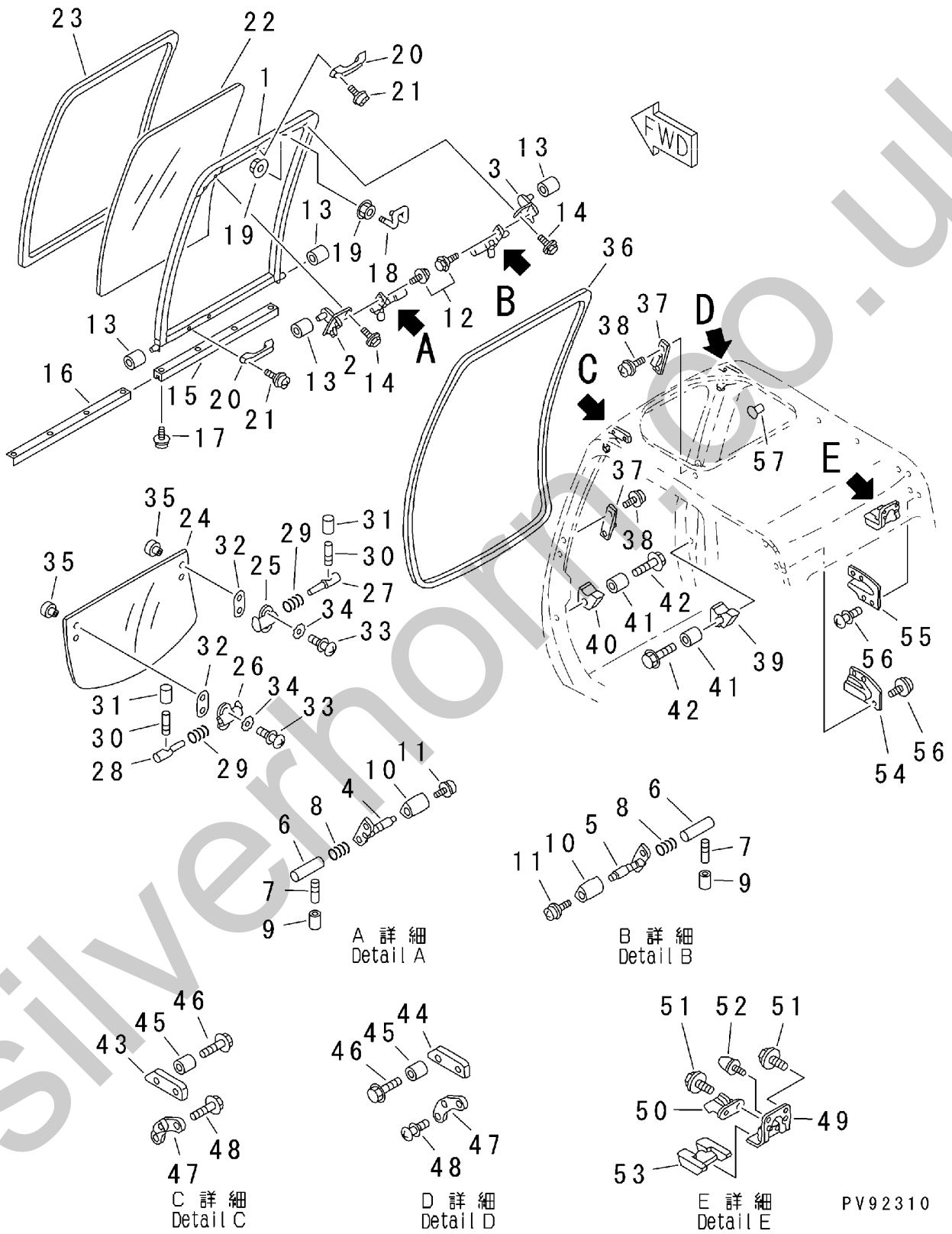
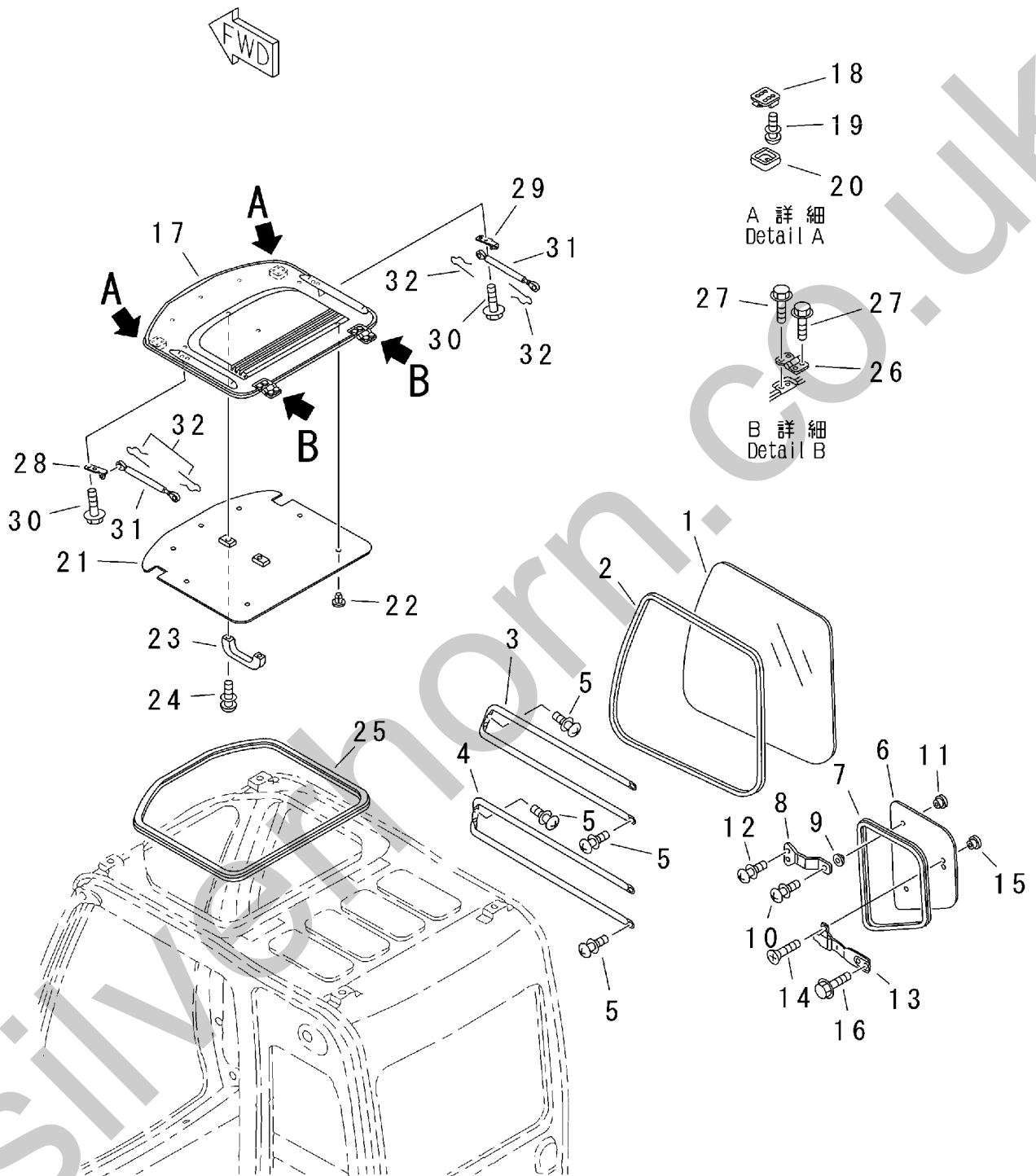
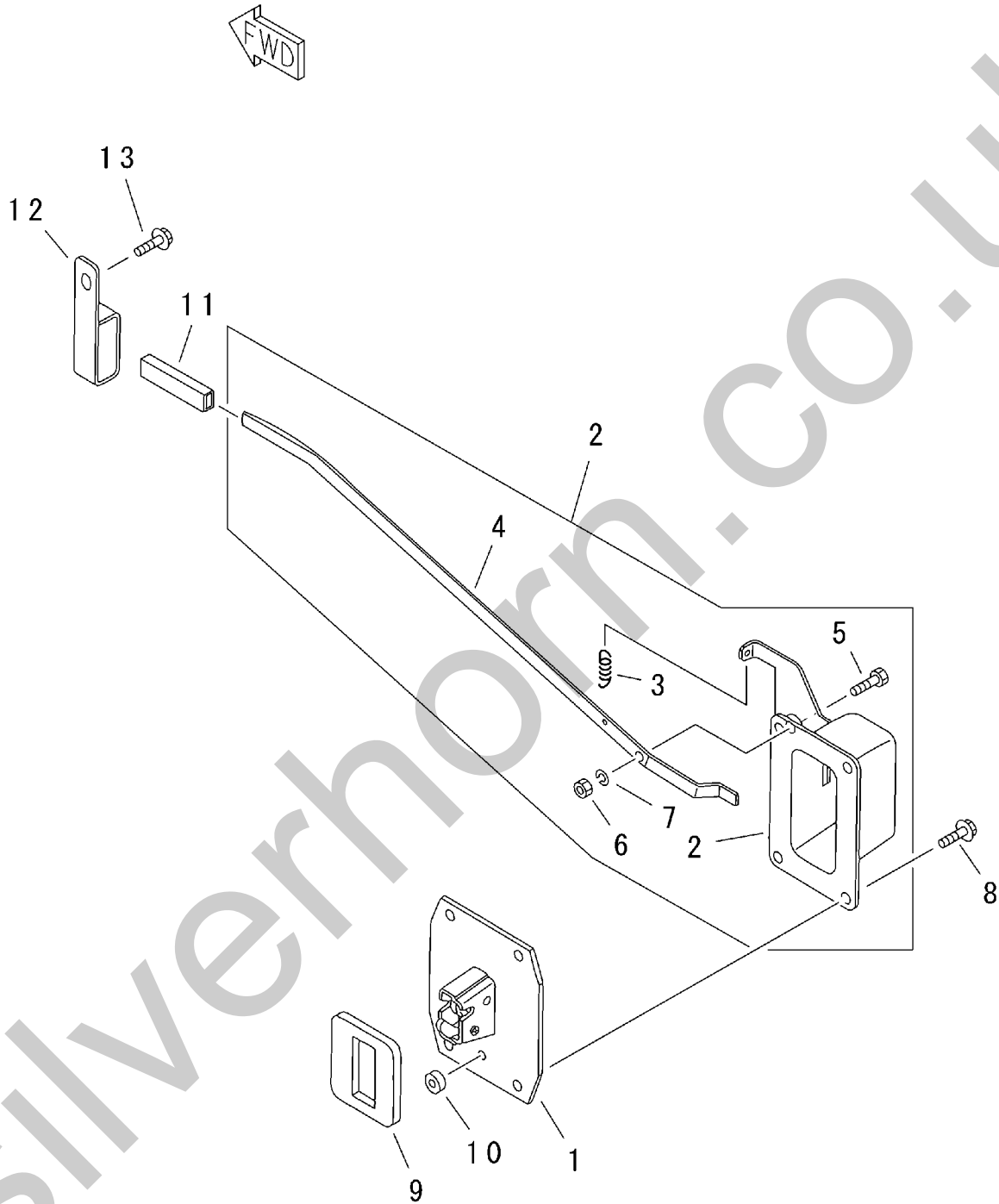


FIG.225 CAB (5/6) (R.H. SIDE WINDOW AND ROOF)



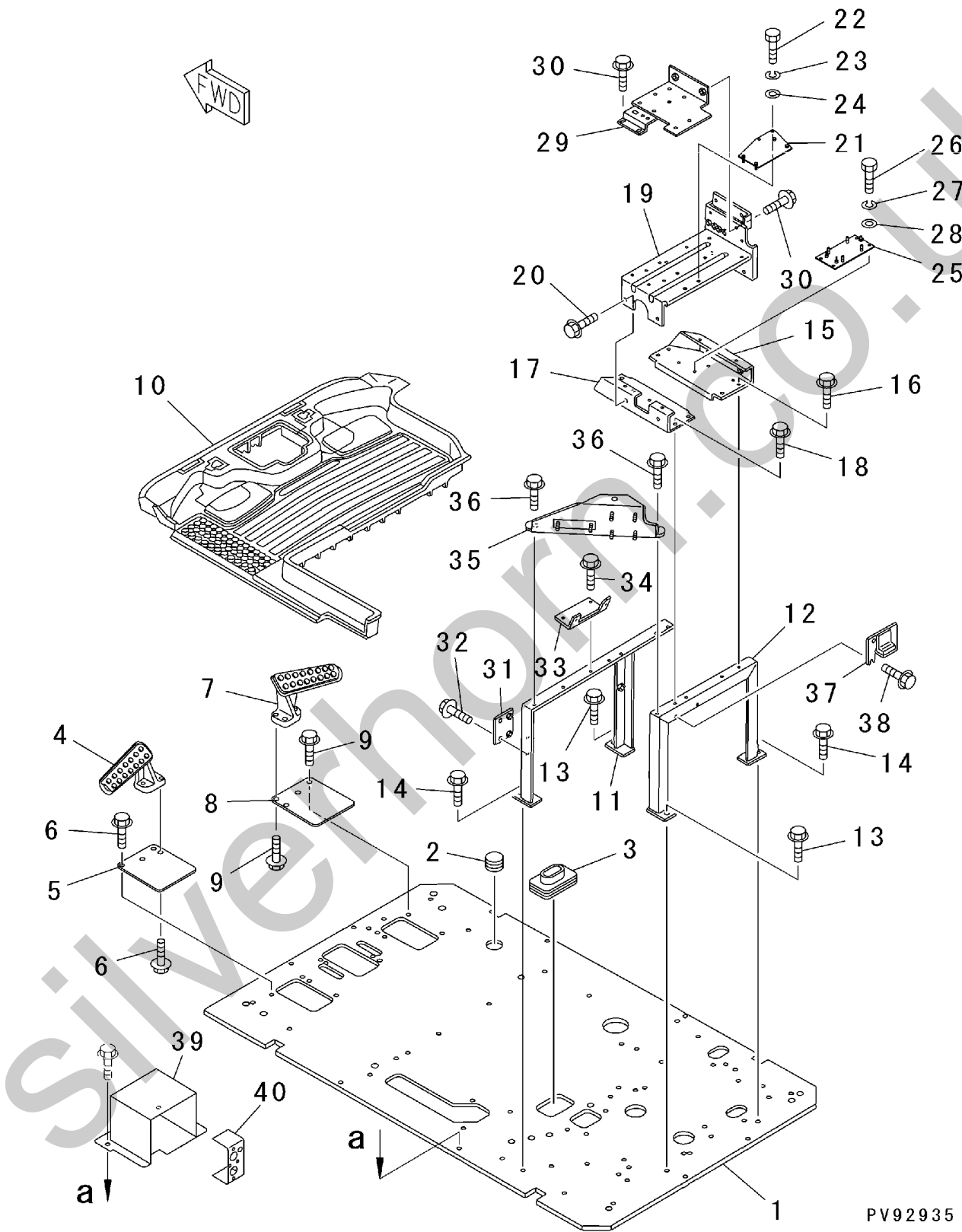
PV92311

FIG.226 CAB (6/6) (DOOR CATCH)



PV92312

FIG.231 CAB INNER PARTS (FLOOR PLATE AND FLOOR PARTS)

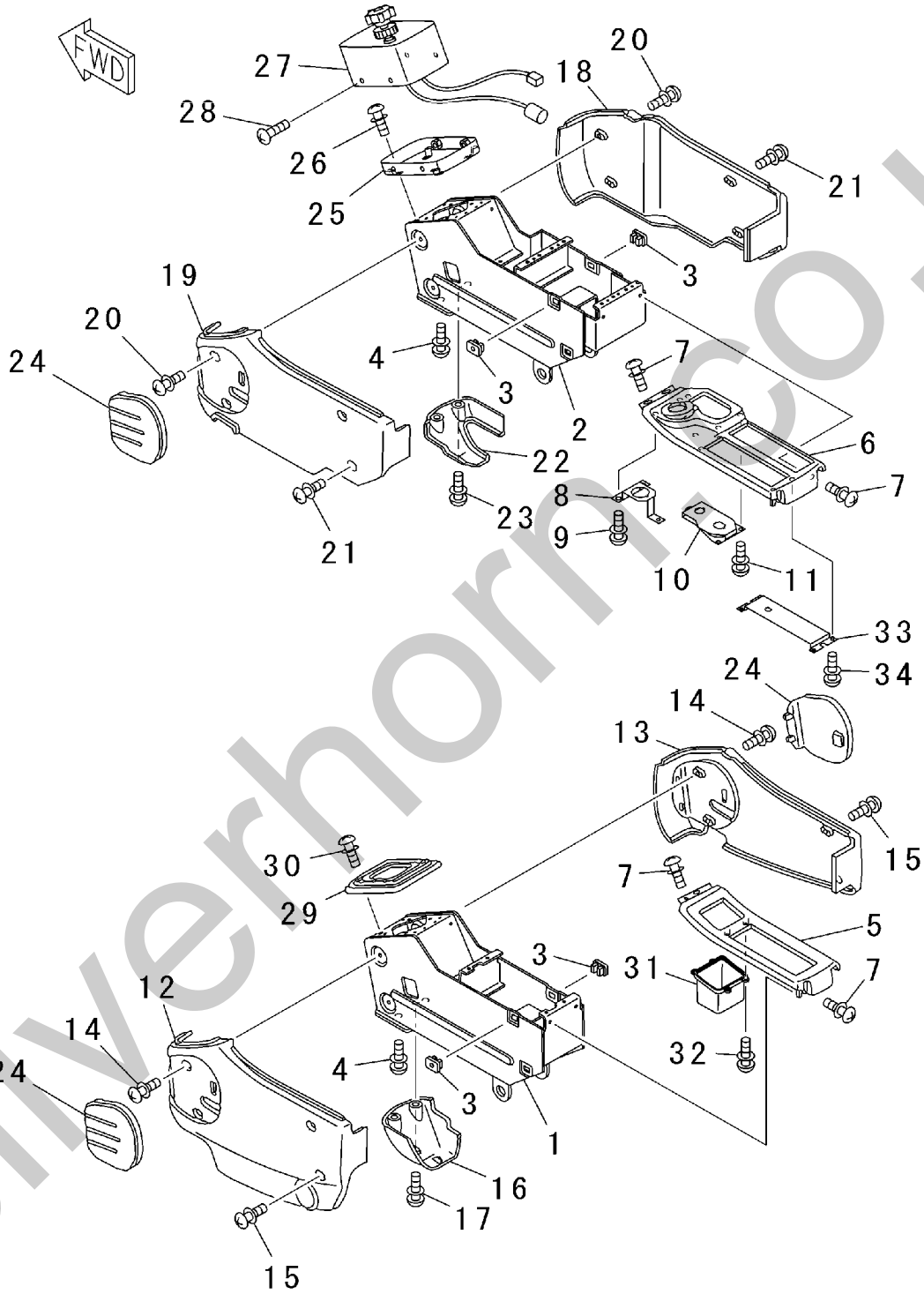


PV92935

FIG.231

| INDEX | PART NO. | DESCRIPTION | Q'TY | SERIAL NO. |
|-------|--------------|-----------------------------|------|------------|
| 1 | HC6014634 | FLOOR PLATE | 1 | 223001 ~ |
| 2 | HC4288445 | BUSHING | 1 | 223001 ~ |
| 3 | HC4351011 | RUBBER BUSHING | 1 | 223001 ~ |
| 4 | HC1015477 | L.H. SIDE FOOT REST | 1 | 223001 ~ |
| 5 | HC3052543 | L.H. SIDE COVER | 1 | 223001 ~ |
| 6 | HCJ011035 | SEMS BOLT (M10X35) | 4 | 223001 ~ |
| 7 | HC1015478 | R.H. SIDE FOOT REST | 1 | 223001 ~ |
| 8 | HC3052543 | R.H. SIDE COVER | 1 | 223001 ~ |
| 9 | HCJ011035 | SEMS BOLT (M10X35) | 4 | 223001 ~ |
| 10 | HC0002043 | FLOOR MAT | 1 | 223001 ~ |
| 11 | HC7029266 | SUPPORT | 1 | 223001 ~ |
| 12 | HC7029267 | SUPPORT | 1 | 223001 ~ |
| 13 | HCJ011025 | SEMS BOLT (M10X25) | 2 | 223001 ~ |
| 14 | HCJ021030 | SEMS BOLT (M10X30) | 2 | 223001 ~ |
| 15 | HC8060883 | BRACKET | 1 | 223001 ~ |
| 16 | HCJ020820 | SEMS BOLT (M8X20) | 4 | 223001 ~ |
| 17 | HC8060884 | BRACKET | 1 | 223001 ~ |
| 18 | HCJ020820 | SEMS BOLT (M8X20) | 4 | 223001 ~ |
| 19 | HC7029268 | BRACKET | 1 | 223001 ~ |
| 20 | HCJ020820 | SEMS BOLT (M8X20) | 4 | 223001 ~ |
| 21 | 1-41210-2040 | SLOPE SENSOR BRACKET | 1 | 223001 ~ |
| 22 | 0-1000-00620 | BOLT (M6X20) | 2 | 223001 ~ |
| 23 | 0-1100-00615 | SPRING WASHER (M6) | 2 | 223001 ~ |
| 24 | 0-1120-00616 | PLANE WASHER (M6) | 2 | 223001 ~ |
| 25 | 1-41210-2030 | RELAY BRACKET | 1 | 223001 ~ |
| 26 | 0-1000-00616 | BOLT (M6X16) | 4 | 223001 ~ |
| 27 | 0-1100-00615 | SPRING WASHER (M6) | 4 | 223001 ~ |
| 28 | 0-1120-00616 | PLANE WASHER (M6) | 4 | 223001 ~ |
| 29 | HC8065588 | BRACKET | 1 | 223001 ~ |
| 30 | HCJ020820 | SEMS BOLT (M8X20) | 4 | 223001 ~ |
| 31 | HC9743487 | BRACKET | 1 | 223001 ~ |
| 32 | HCJ020820 | SEMS BOLT (M8X20) | 2 | 223001 ~ |
| 33 | 1-41210-2020 | BRACKET | 1 | 223001 ~ |
| 34 | HCJ020820 | SEMS BOLT (M8X20) | 2 | 223001 ~ |
| 35 | 1-41210-2060 | BRACKET | 1 | 223001 ~ |
| 36 | HCJ020820 | SEMS BOLT (M8X20) | 2 | 223001 ~ |
| 37 | HC8061717 | BRACKET | 1 | 223001 ~ |
| 38 | HCJ020820 | SEMS BOLT (M8X20) | 2 | 223001 ~ |
| 39 | 1-46210-2510 | ENGINE MAIN MONITOR BRACKET | 1 | 223001 ~ |
| 40 | 1-46210-2520 | MOUNTING BRACKET | 1 | 223001 ~ |

FIG.233 CAB INNER PARTS (CONSOLE AND COVER)



PV92936

FIG.233

| INDEX | PART NO. | DESCRIPTION | Q'TY | SERIAL NO. |
|-------|--------------|-----------------------------|------|------------|
| 1 | HC6014737 | L.H. SIDE STAND | 1 | 223001 ~ |
| 2 | HC6014741 | R.H. SIDE STAND | 1 | 223001 ~ |
| 3 | HC4351255 | CLIP | 8 | 223001 ~ |
| 4 | HCJ011030 | SEMS BOLT (M10X30) | 4 | 223001 ~ |
| 5 | HC1021354 | L.H. SIDE FRAME | 1 | 223001 ~ |
| 6 | HC5004653 | R.H. SIDE FRAME | 1 | 223001 ~ |
| 7 | HCJ680616 | SEMS BOLT (M6X16) | 8 | 223001 ~ |
| 8 | 1-41210-1240 | STARTER SWITCH BRACKET | 1 | 223001 ~ |
| 9 | HCJ460512 | SEMS BOLT (M5X12) | 3 | 223001 ~ |
| 10 | 1-41210-2010 | COMBINATION LAMP SWITCH | 1 | 223001 ~ |
| 11 | HCJ460512 | SEMS BOLT (M5X12) | 3 | 223001 ~ |
| 12 | HC1021345 | L.H. SIDE STAND OUTER COVER | 1 | 223001 ~ |
| 13 | HC1021346 | L.H. SIDE STAND INNER COVER | 1 | 223001 ~ |
| 14 | HCJ680616 | SEMS BOLT (M6X16) | 4 | 223001 ~ |
| 15 | HC4361802 | TAPPING SCREW | 4 | 223001 ~ |
| 16 | HC3072629 | COVER | 1 | 223001 ~ |
| 17 | HCJ680616 | SEMS BOLT (M6X16) | 2 | 223001 ~ |
| 18 | HC1021350 | R.H. SIDE STAND OUTER COVER | 1 | 223001 ~ |
| 19 | HC1021349 | R.H. SIDE STAND INNER COVER | 1 | 223001 ~ |
| 20 | HCJ680616 | SEMS BOLT (M6X16) | 4 | 223001 ~ |
| 21 | HC4361802 | TAPPING SCREW | 4 | 223001 ~ |
| 22 | HC3072613 | COVER | 1 | 223001 ~ |
| 23 | HCJ680616 | SEMS BOLT (M6X16) | 2 | 223001 ~ |
| 24 | HC4351277 | PAD | 3 | 223001 ~ |
| 25 | 1-46210-2550 | BRACKET | 1 | 223001 ~ |
| 26 | 0-1305-00616 | SEMS SCREW (M6X16) | 4 | 223001 ~ |
| 27 | 1-46210-2560 | ENGINE SPEED DIAL CASE | 1 | 223001 ~ |
| 28 | 0-1320-00610 | SCREW (M6X10) | 4 | 223001 ~ |
| 29 | HC2037689 | COVER | 1 | 223001 ~ |
| 30 | HCJ460635 | SEMS BOLT (M6X35) | 4 | 223001 ~ |
| 31 | HC3072699 | POCKET | 1 | 223001 ~ |
| 32 | HC4361800 | TAPPING SCREW | 4 | 223001 ~ |
| 33 | 1-41210-1250 | WIPER SWITCH BRACKET | 1 | 223001 ~ |
| 34 | HC4361800 | TAPPING SCREW | 4 | 223001 ~ |
| | | | | |
| | | | | |
| | | | | |
| | | | | |
| | | | | |

FIG.235 CAB INNER PARTS (CAB R.H. SIDE COVER)

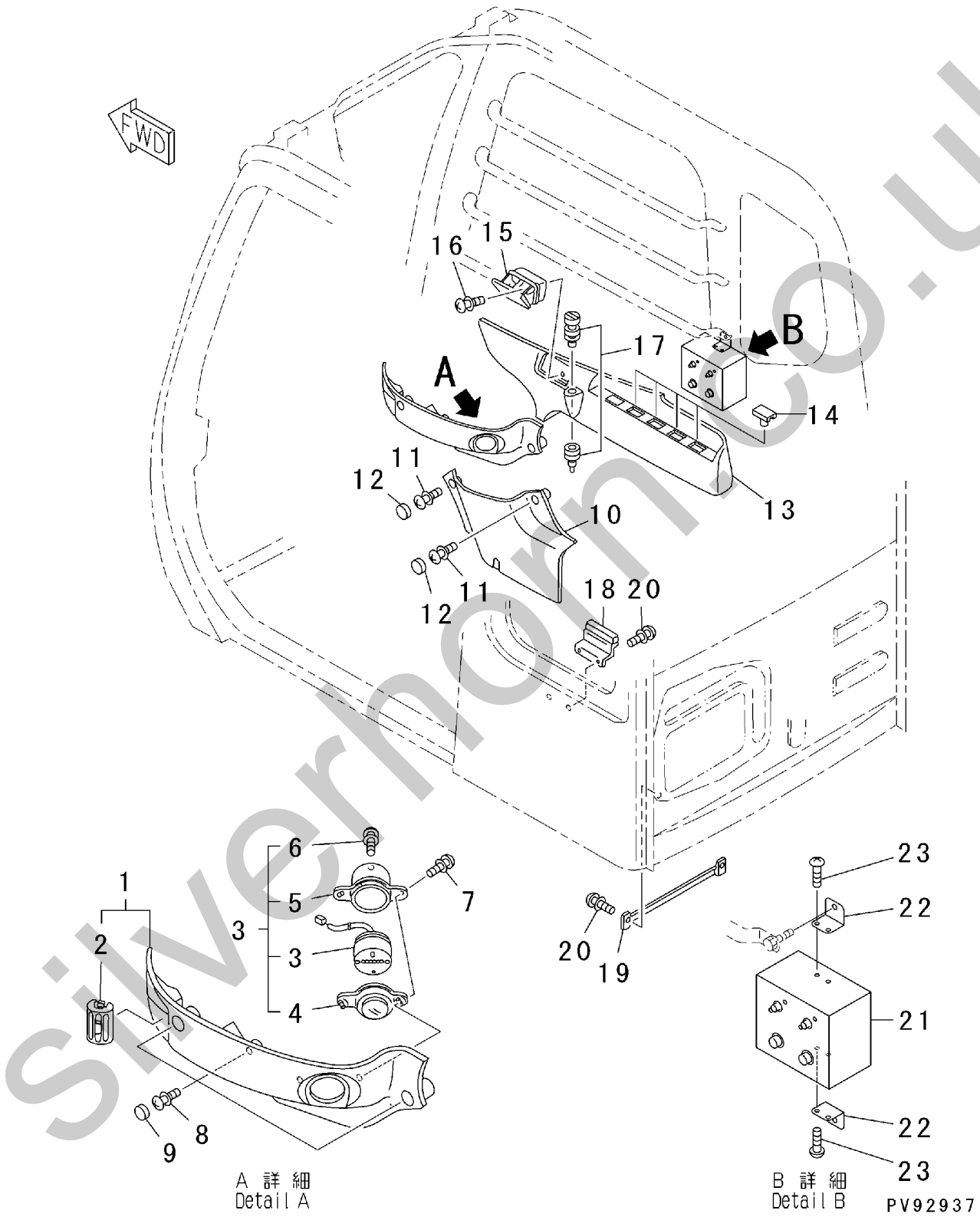
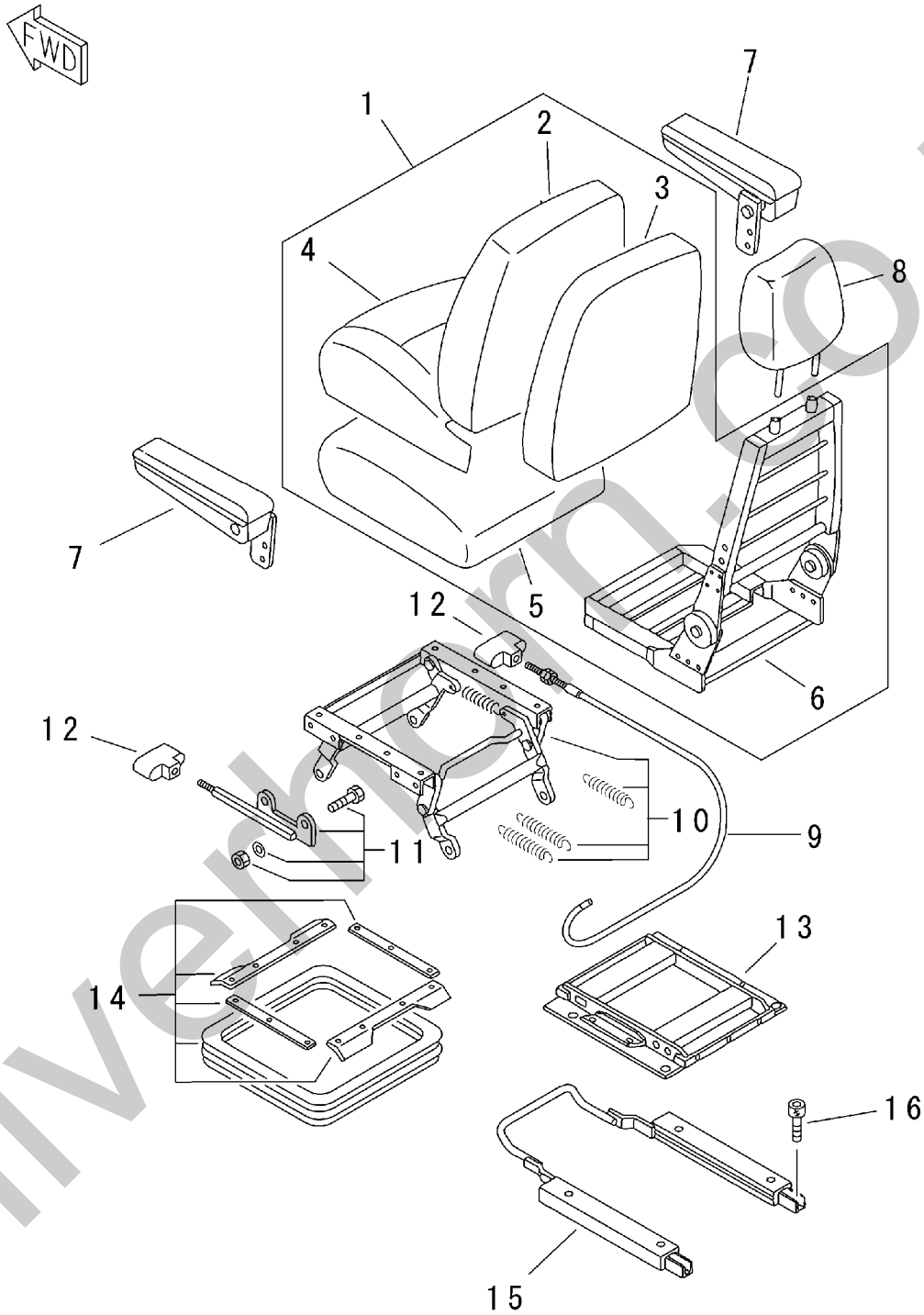
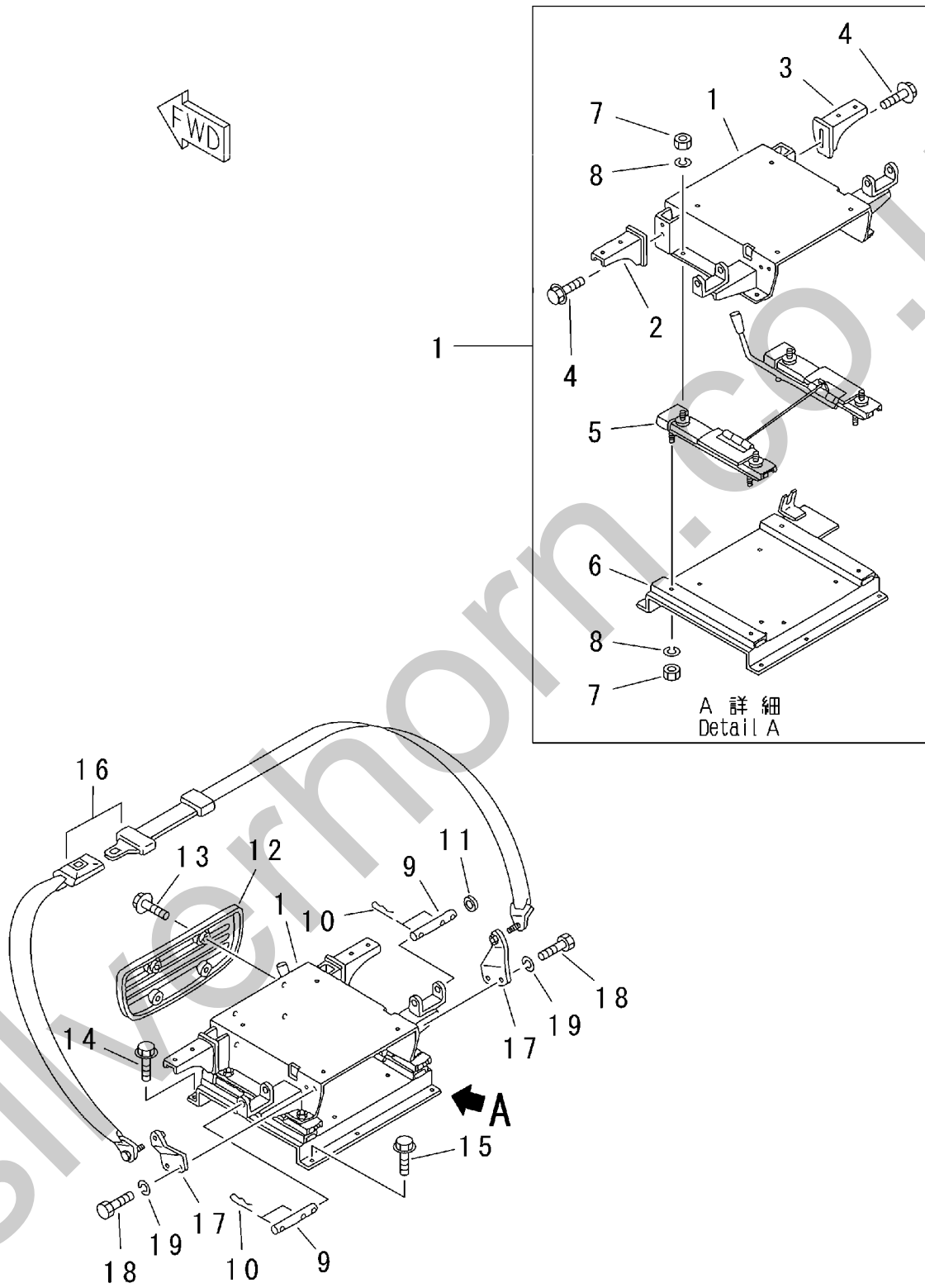


FIG.241 CAB INNER PARTS (OPERATOR'S SEAT)



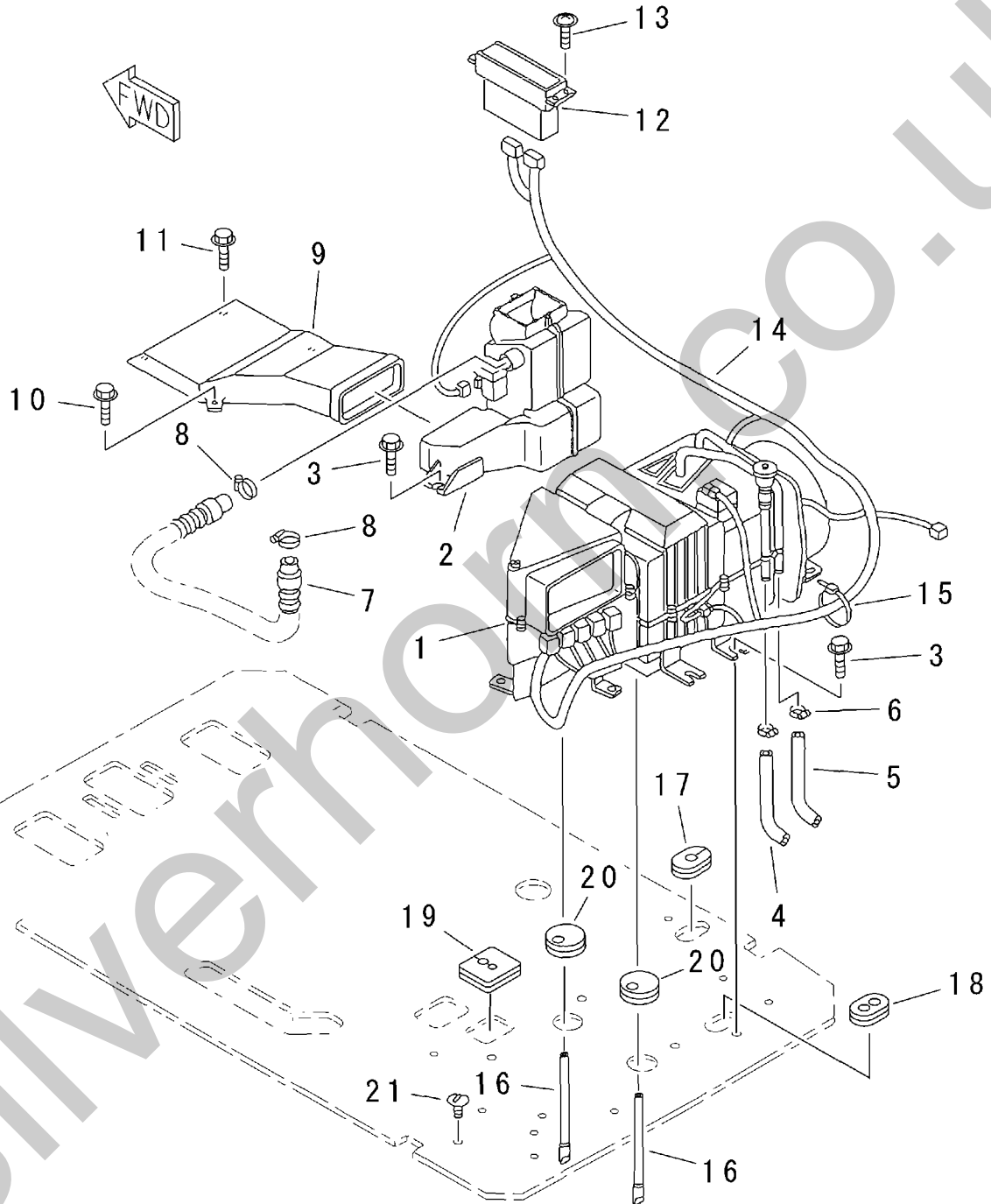
PV92316

FIG.243 CAB INNER PARTS (OPERATOR'S SEAT STAND)



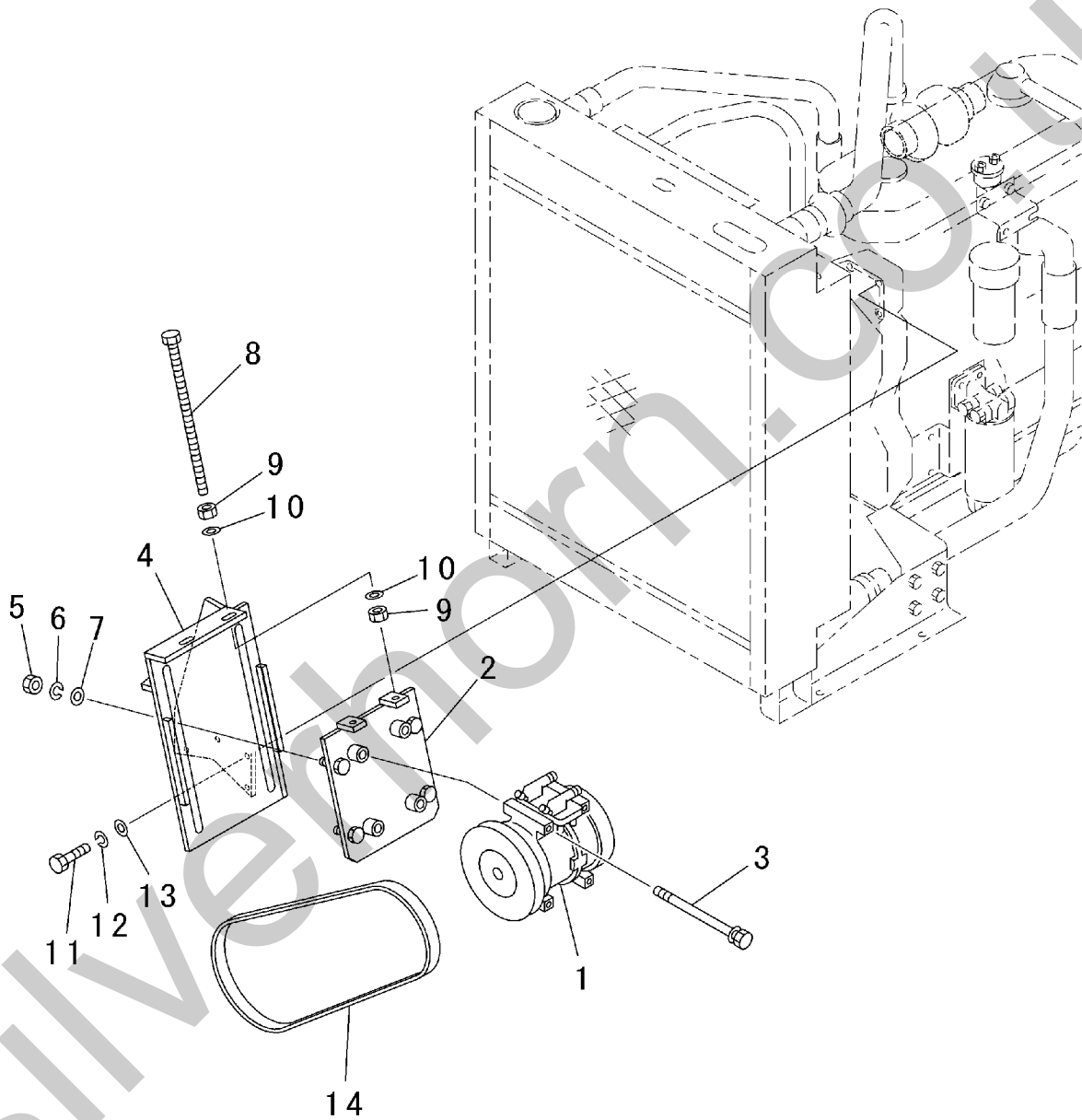
PV92317

FIG.251 AIR CONDITIONER RELATED PARTS (1/5)
(AIR CONDITIONER UNIT AND MOUNTING)



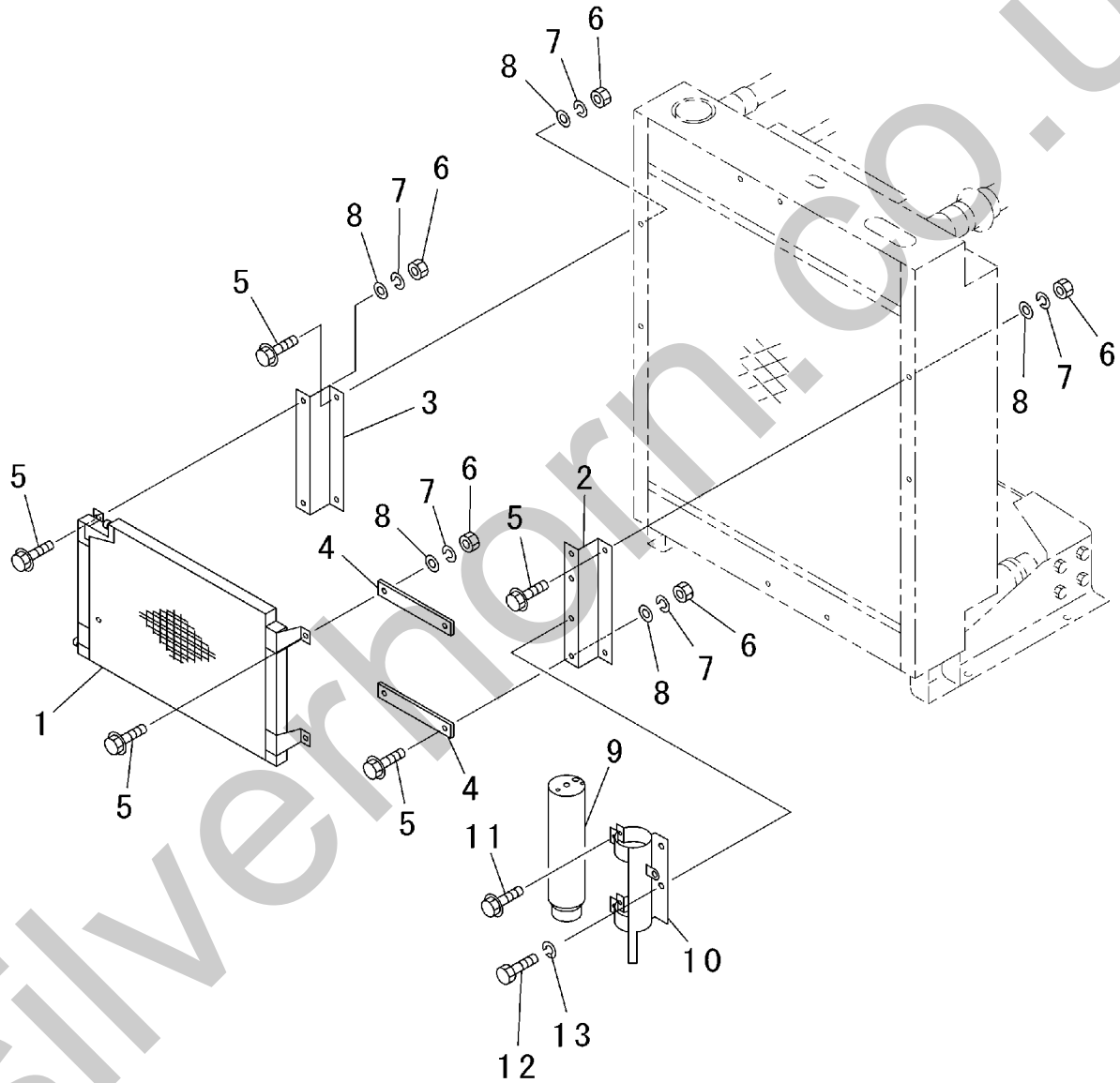
PV92318

FIG.252 AIR CONDITIONER RELATED PARTS (2/5)
(AIR COMPRESSOR AND MOUNTING)



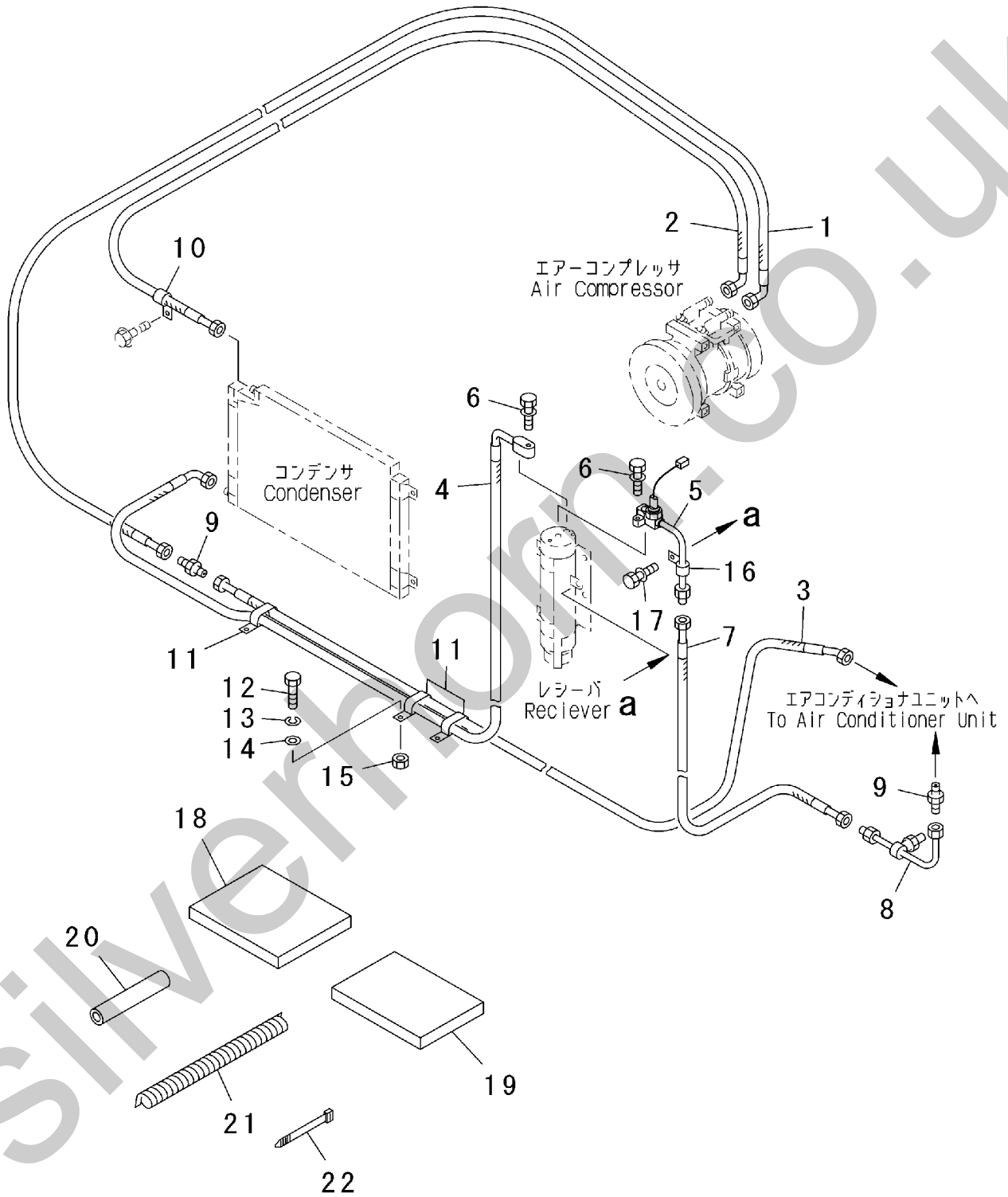
PV92938

FIG.253 AIR CONDITIONER RELATED PARTS (3/5)
(A/C CONDENSER AND MOUNTING)



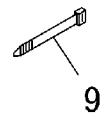
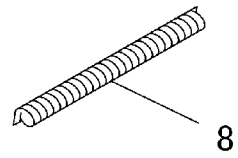
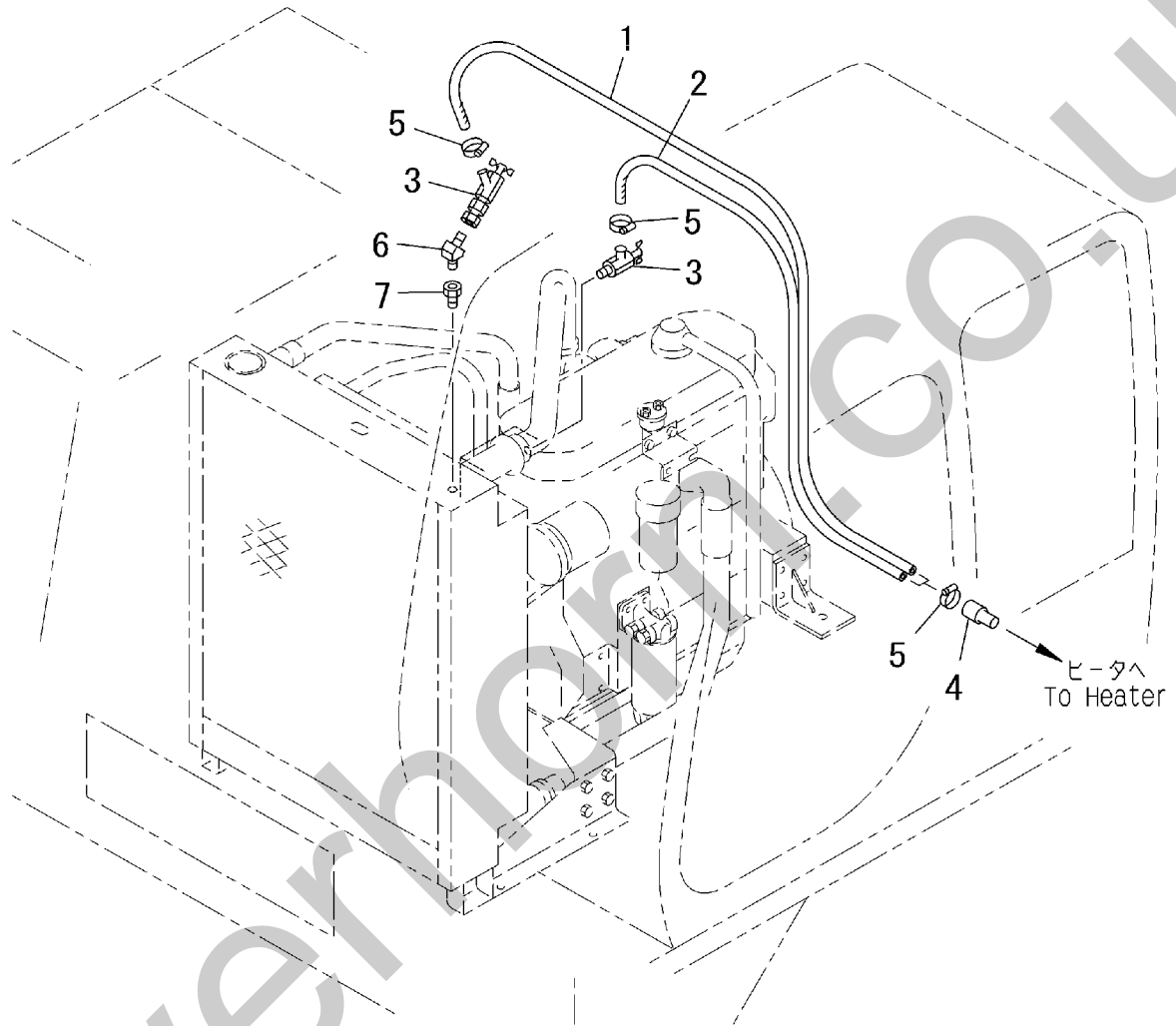
PV92939

FIG.254 AIR CONDITIONER RELATED PARTS (4/5) (A/C PIPING)



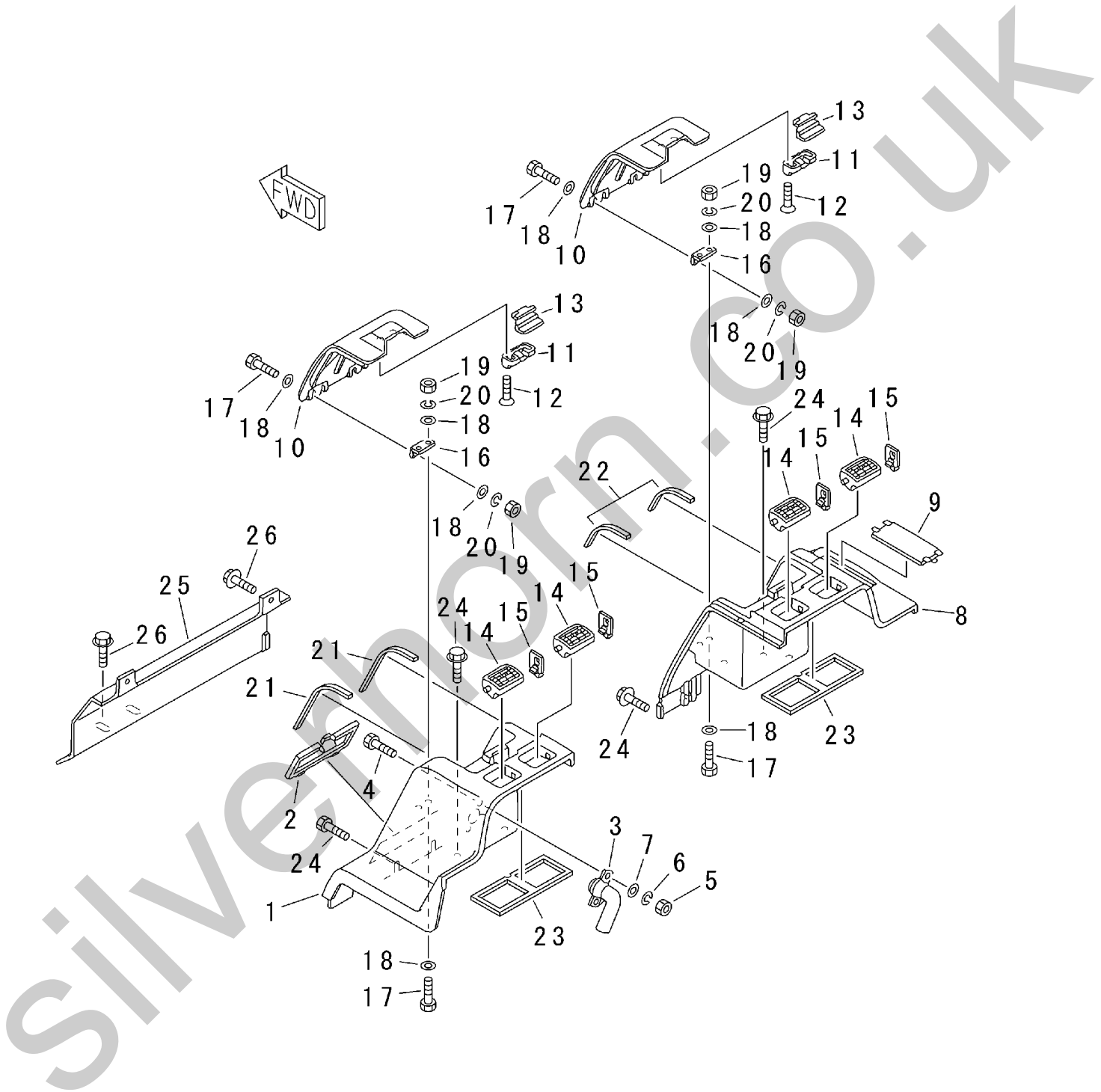
PV92940

FIG.255 AIR CONDITIONER RELATED PARTS (5/5) (CAR HEATER PIPING)



PV92941

FIG.261 CAB INNER PARTS (REAR BOX)



PV92324

FIG.263 CAB INNER PARTS (AIR DUCT)

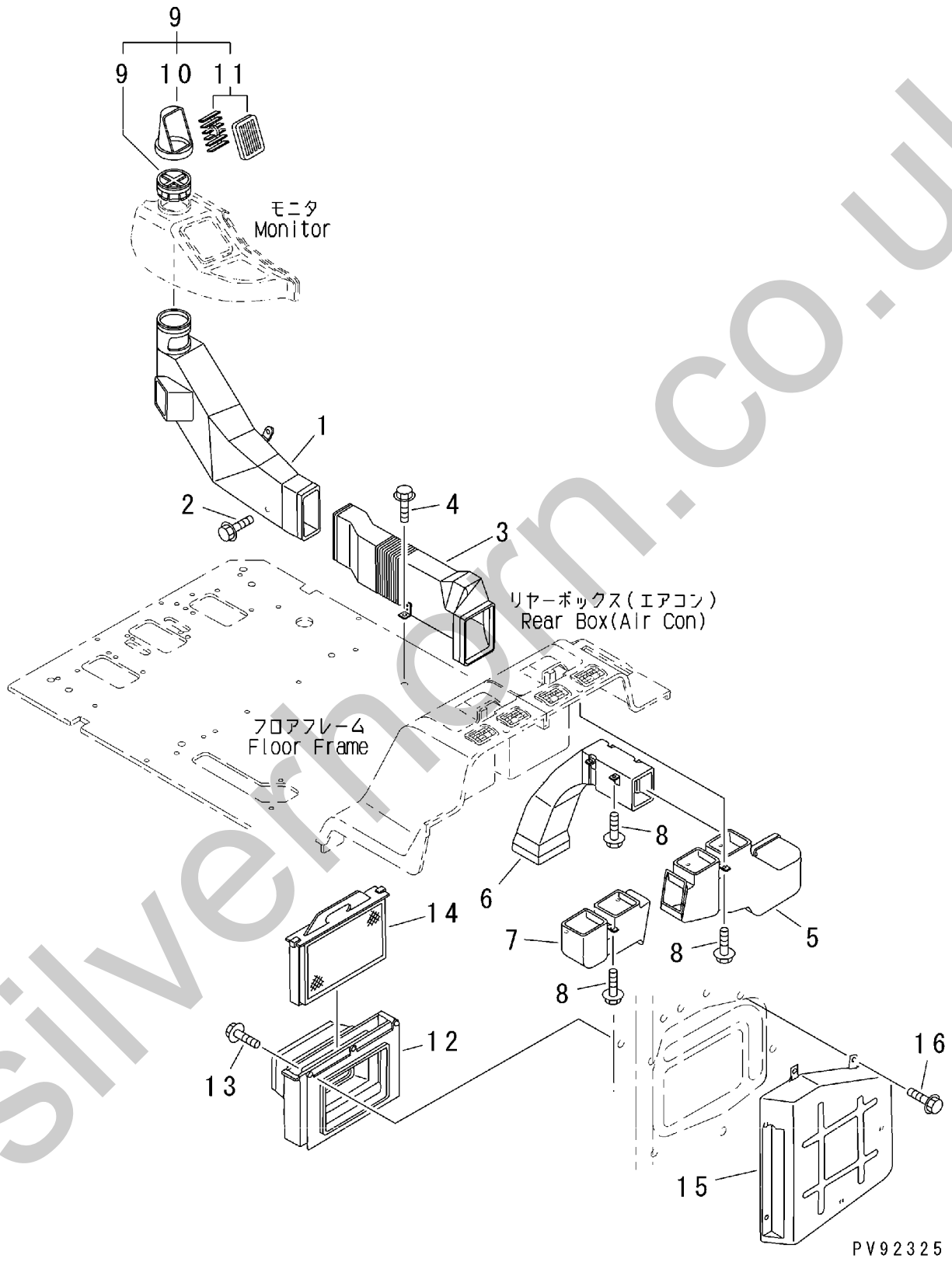
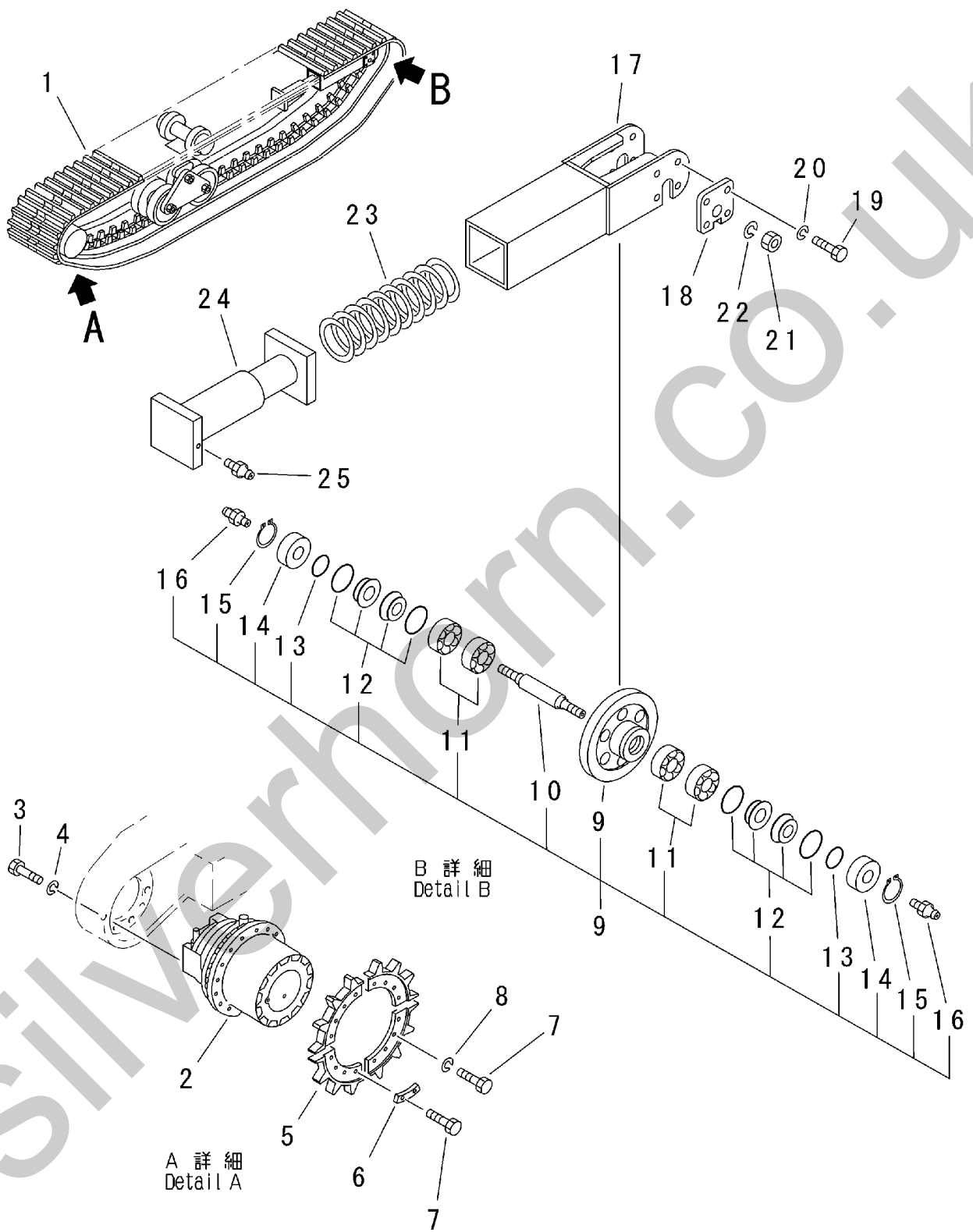
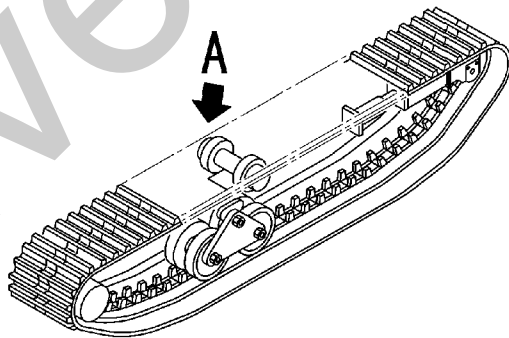
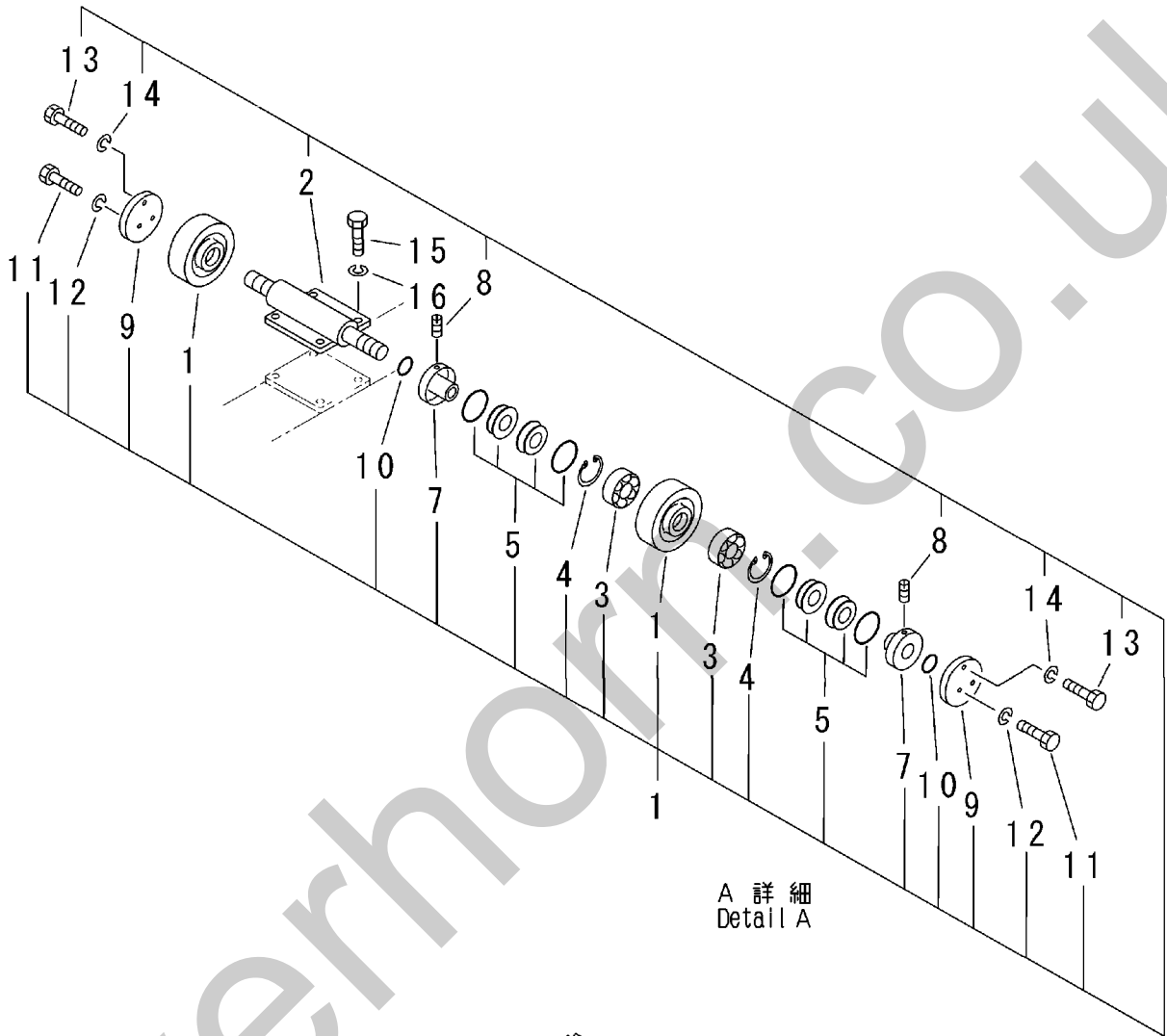


FIG.301 UNDER CARRIAGE RELATED PARTS (TRAVEL MOTOR AND IDLER)



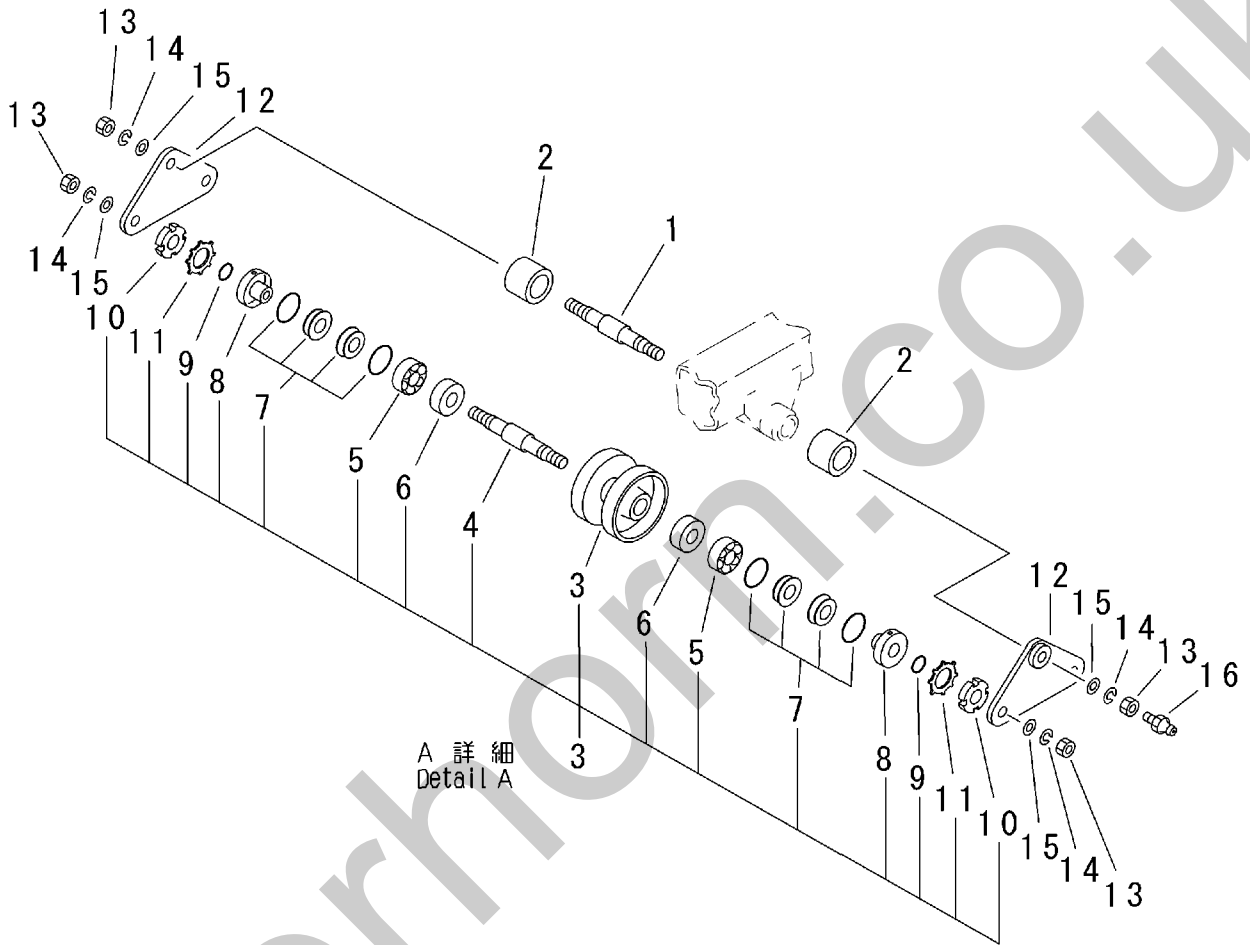
PV92326

FIG.311 UNDER CARRIAGE RELATED PARTS (CARRIER ROLLER)

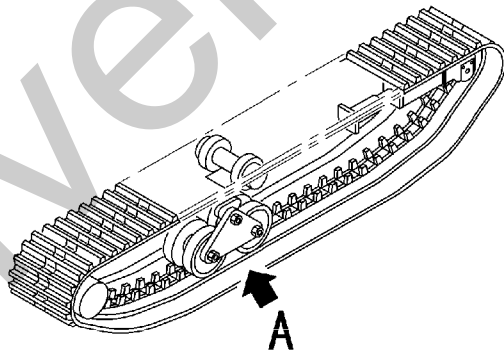


PV90664

FIG.321 UNDER CARRIAGE RELATED PARTS (TRACK ROLLER)

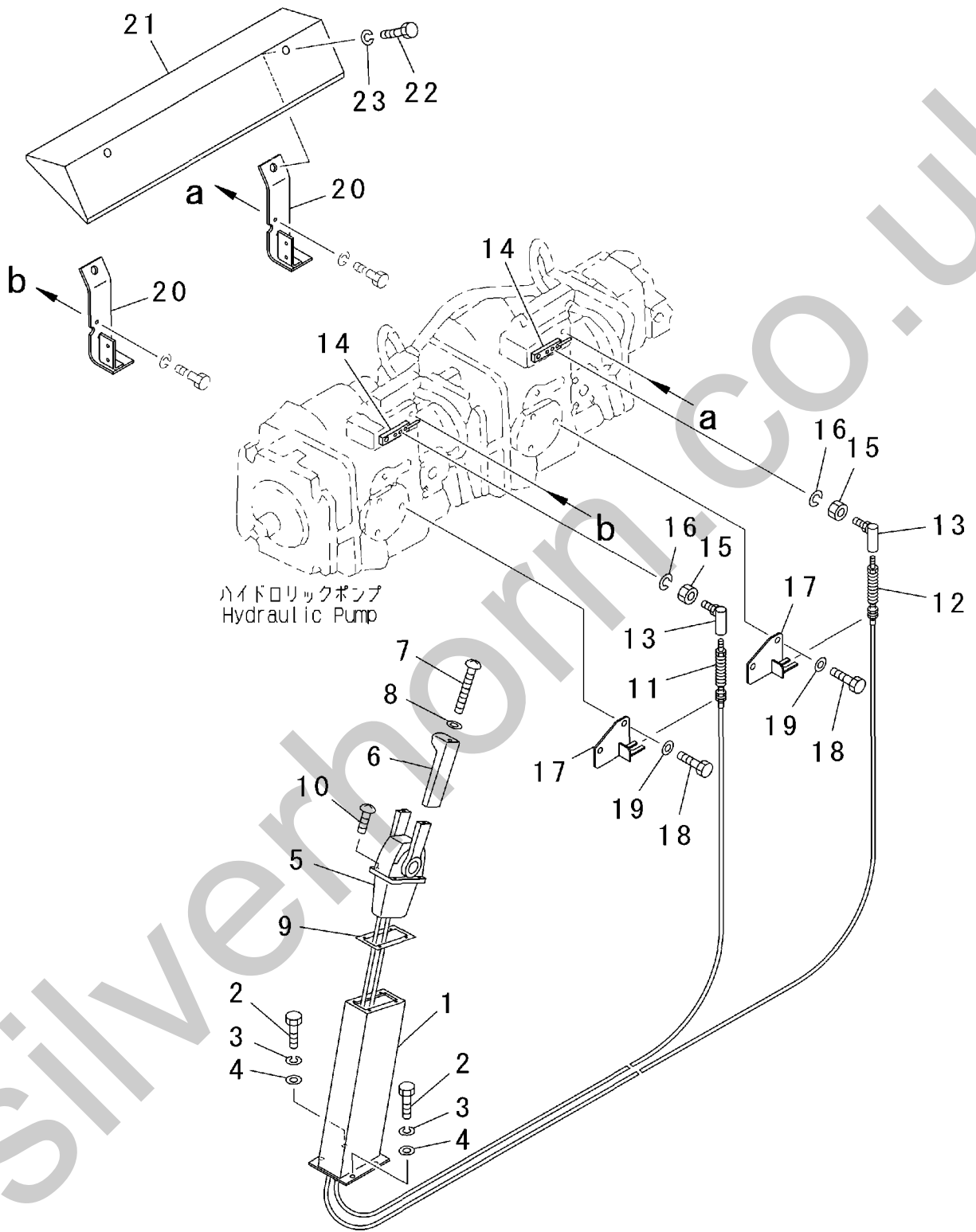


A 詳細
Detail A



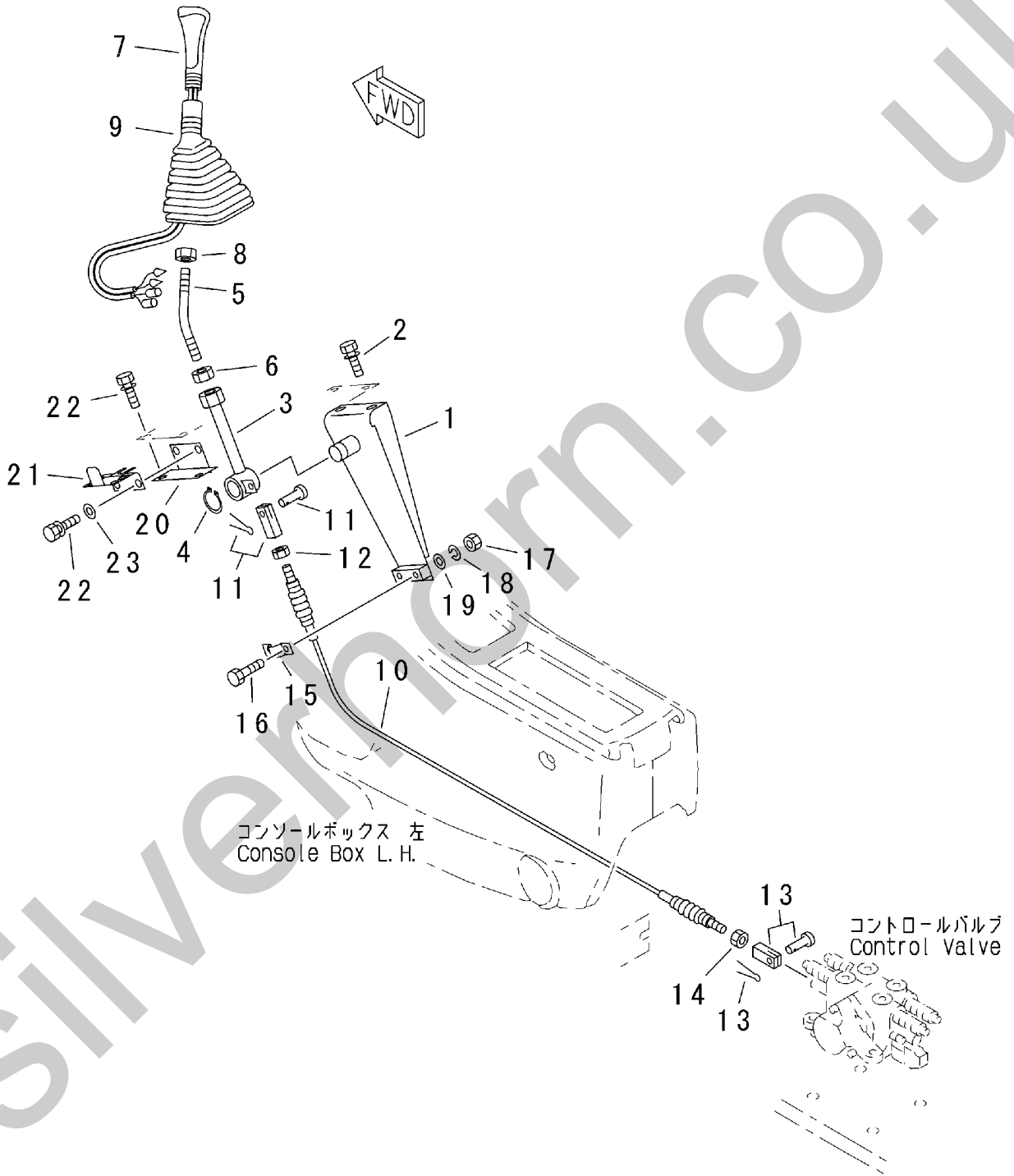
PV92327

FIG.401 STEERING CONTROL SYSTEM



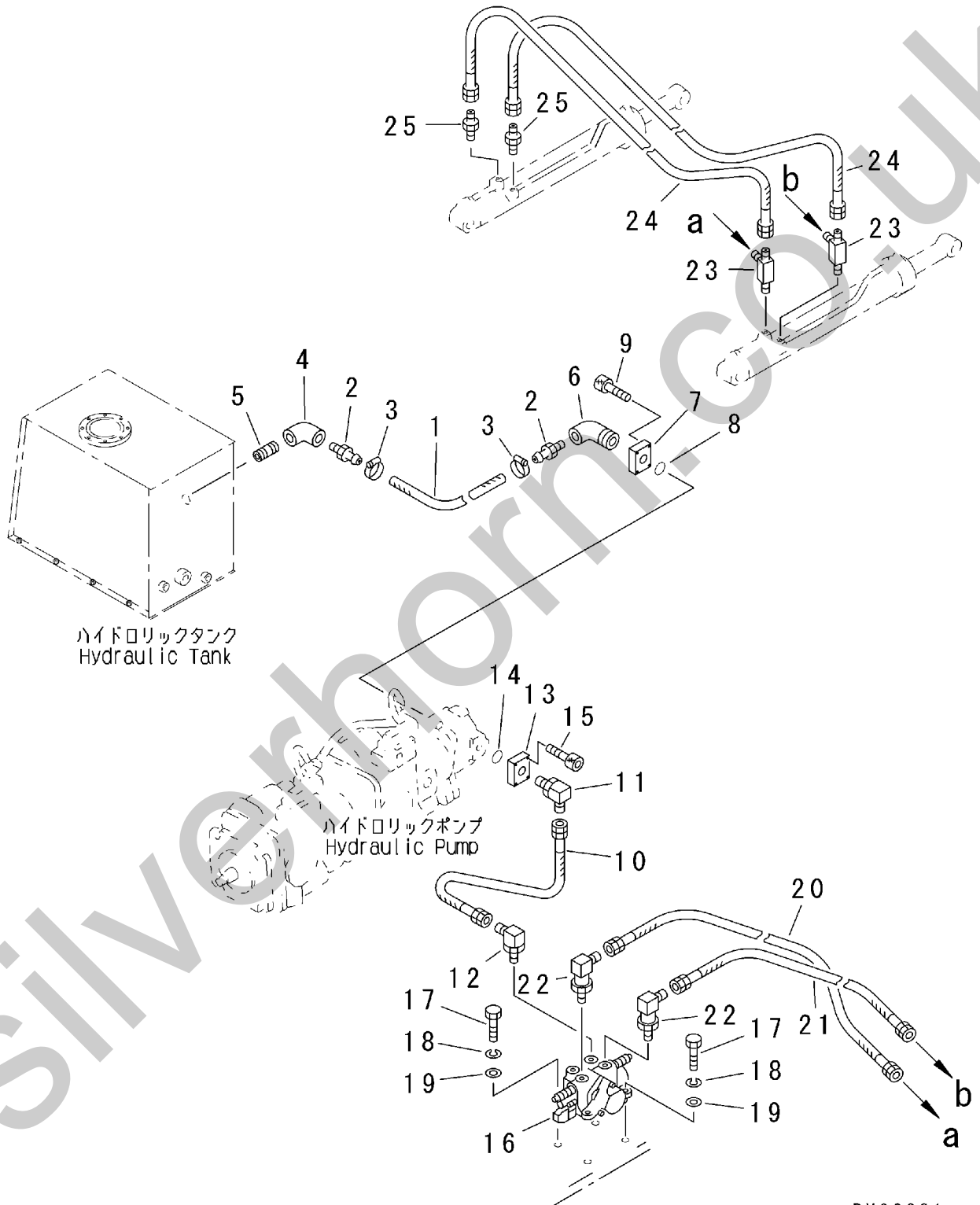
PV92942

FIG.421 DUMP CONTROL SYSTEM



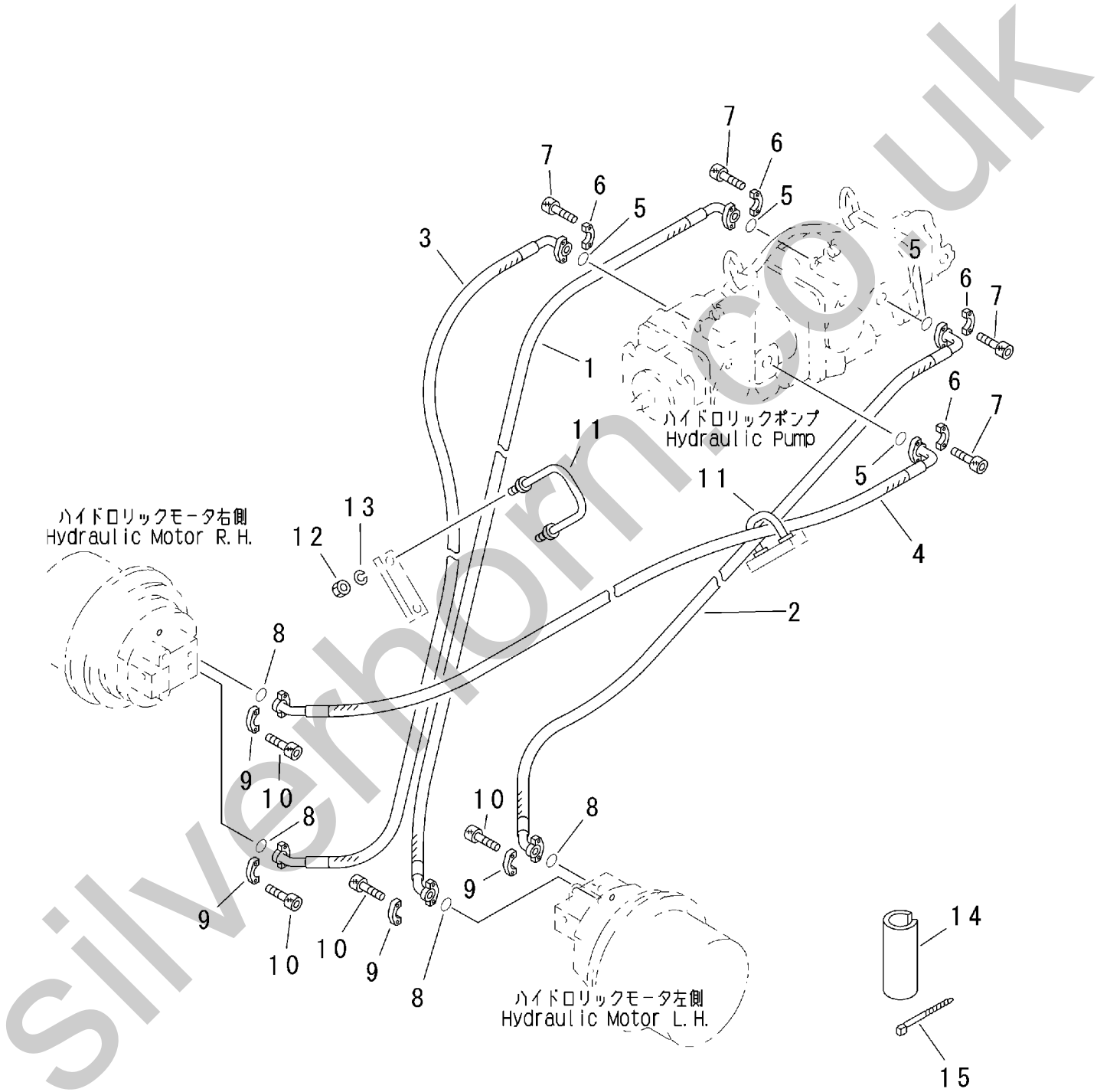
PV92362

FIG.501 HYDRAULIC OIL PIPING
(CONTROL VALVE AND DUMP CYLINDER LINE)



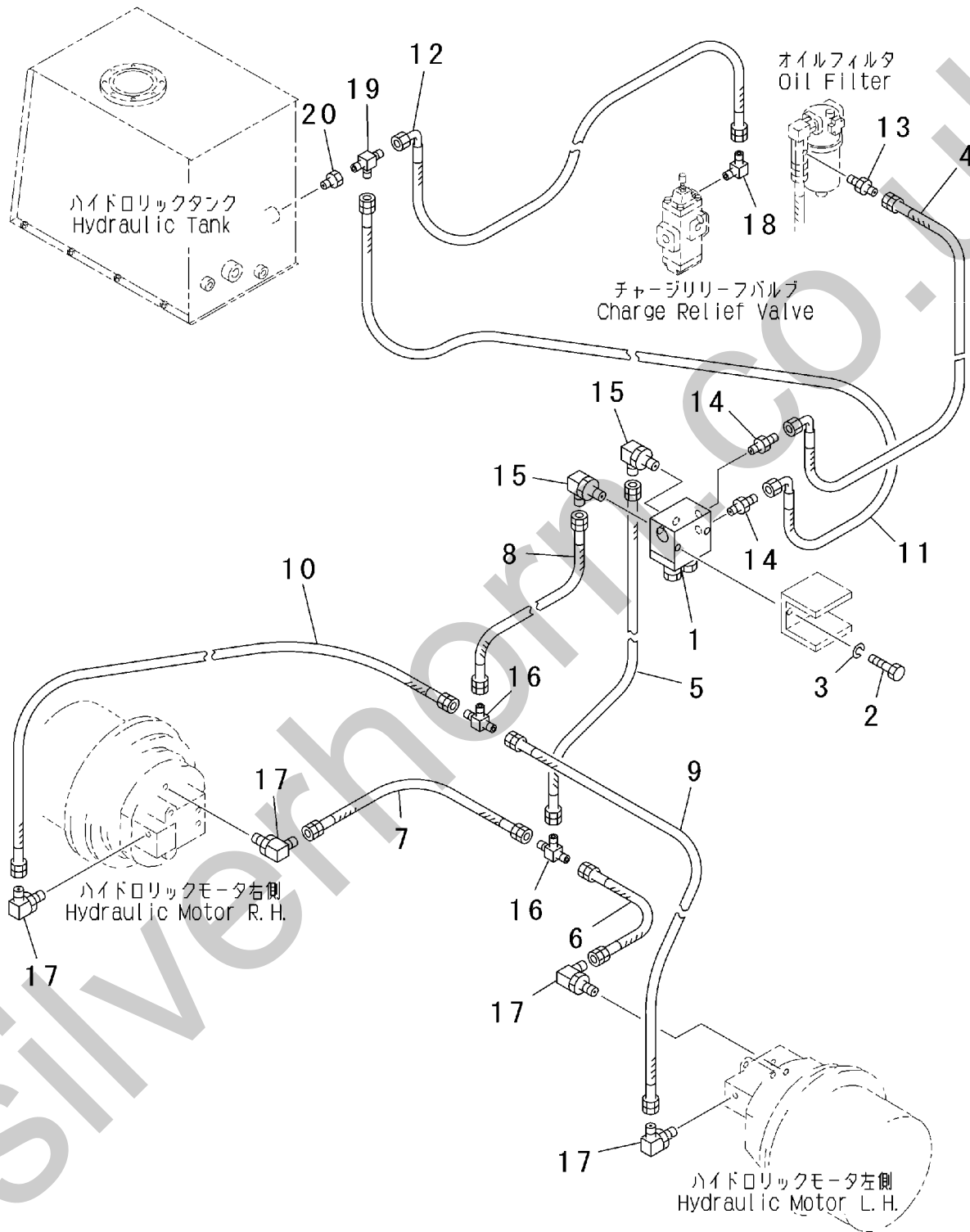
PV92331

FIG.503 HYDRAULIC OIL PIPING (HST MAIN LINE)



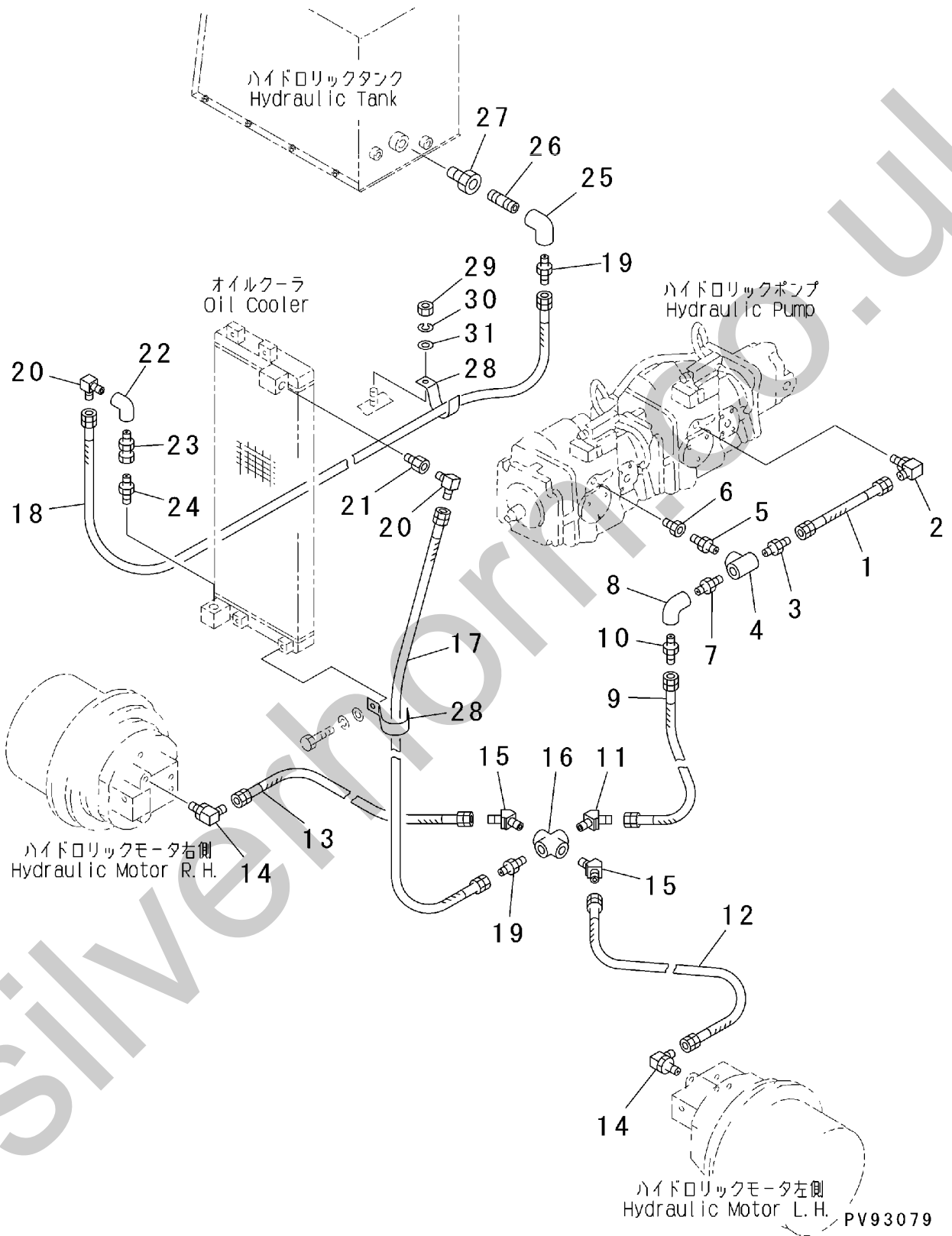
PV92333

FIG.504 HYDRAULIC OIL PIPING
(PARKING BRAKE AND H-L SPEED VALVE LINE)



PV93072

FIG.505 HYDRAULIC OIL PIPING (OIL COOLER AND DRAIN LINE)

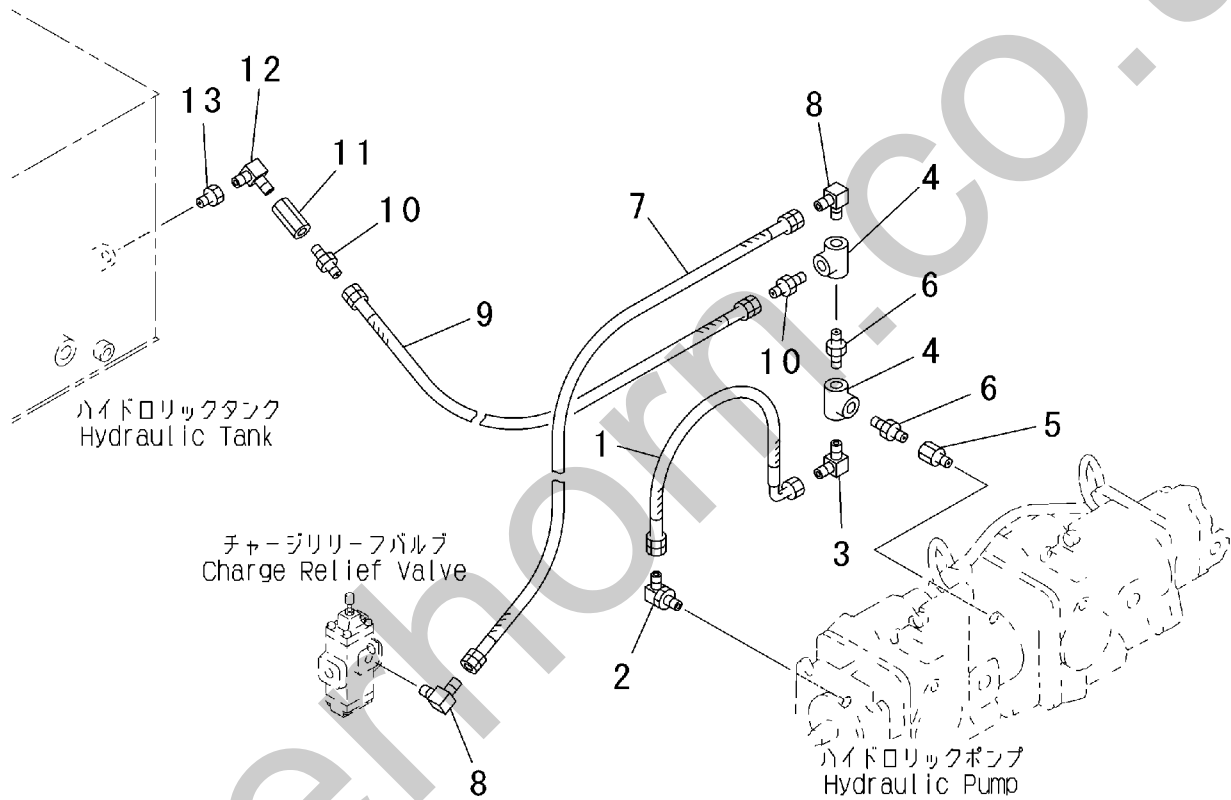


PV93079

FIG.505

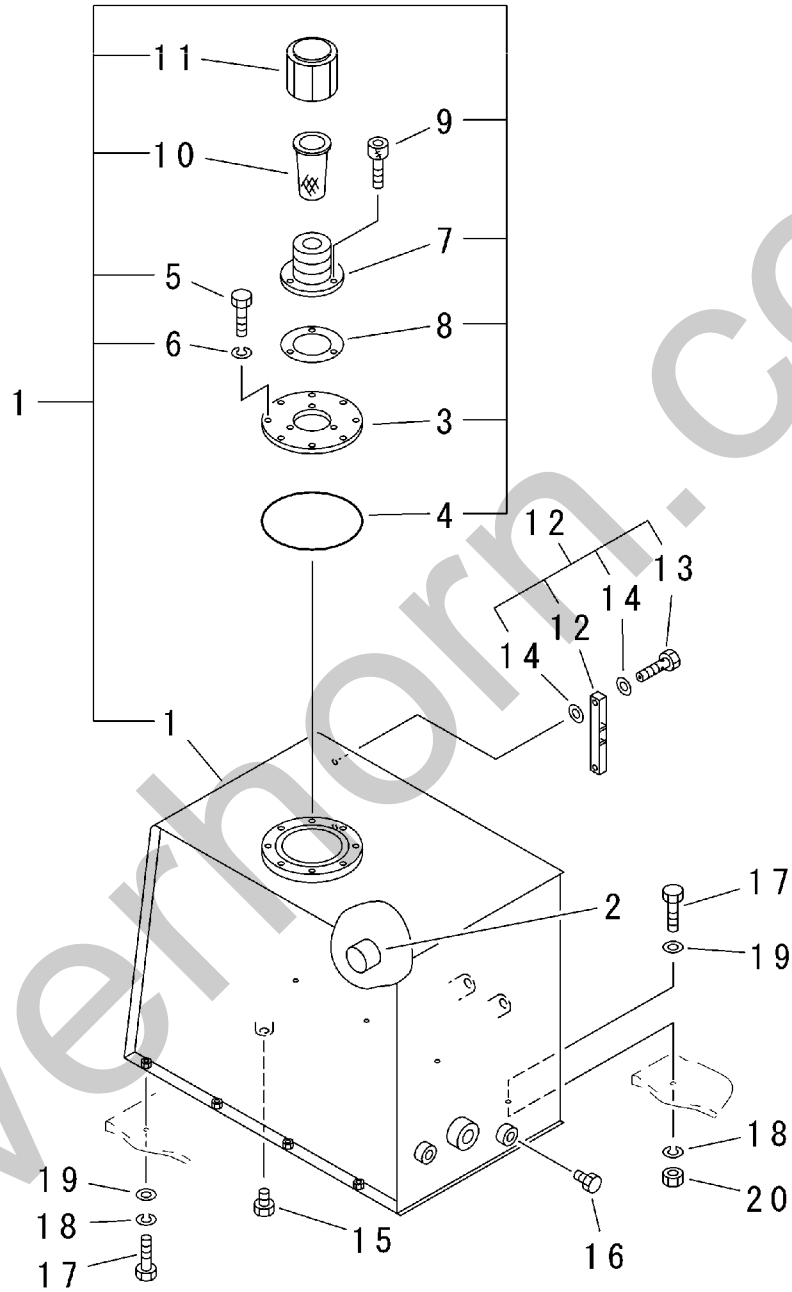
| INDEX | PART NO. | DESCRIPTION | Q'TY | SERIAL NO. |
|-------|--------------|---------------------------------------|------|------------|
| 1 | 0-2230-00635 | MAIN PUMP DRAIN HOSE (3/4"X350) | 1 | 223001 ~ |
| 2 | 0-4321-01406 | ELBOW (UNF7/8XPF3/4) | 1 | 223001 ~ |
| | 0-2040-02520 | ・O-RING (910) | 1 | 223001 ~ |
| 3 | 0-4210-01006 | NIPPLE (PT1XPF3/4) | 1 | 223001 ~ |
| 4 | 0-4400-01006 | TEE (PT1XPT1XPT3/4) | 1 | 223001 ~ |
| 5 | 0-4212-00606 | NIPPLE (PT3/4XPT3/4) | 1 | 223001 ~ |
| 6 | 0-4121-01406 | ADAPTER (UNF7/8XPT3/4) | 1 | 223001 ~ |
| | 0-2040-02520 | ・O-RING (910) | 1 | 223001 ~ |
| 7 | 0-4212-01010 | NIPPLE (PT1XPT1) | 1 | 223001 ~ |
| 8 | 0-4360-01010 | ELBOW (PT1XPT1) | 1 | 223001 ~ |
| 9 | 0-2230-01080 | DRAIN HOSE (1"X800) | 1 | 223001 ~ |
| 10 | 0-4210-01010 | NIPPLE (PT1XPF1) | 1 | 223001 ~ |
| 11 | 0-4310-01010 | ELBOW (PT1XPF1) | 1 | 223001 ~ |
| 12 | 0-2230-00690 | TRAVEL MOTOR DRAIN HOSE (3/4"X900) | 1 | 223001 ~ |
| 13 | 0-2230-00695 | TRAVEL MOTOR DRAIN HOSE (3/4"X950) | 1 | 223001 ~ |
| 14 | 0-4321-01706 | ELBOW (UNF1・1/16XPF3/4) | 2 | 223001 ~ |
| | 0-2040-03024 | ・O-RING (912) | 1 | 223001 ~ |
| 15 | 0-4310-01006 | ELBOW (PT3/4XPF3/4) | 2 | 223001 ~ |
| 16 | 0-4450-01010 | CROSS (PT1XPT1) | 1 | 223001 ~ |
| 17 | 0-2232-01020 | OIL COOLER INLET HOSE (1"X2200) | 1 | 223001 ~ |
| 18 | 0-2232-01020 | OIL COOLER OUTLET HOSE (1"X2200) | 1 | 223001 ~ |
| 19 | 0-4210-01010 | ELBOW (PT1XPF1) | 2 | 223001 ~ |
| 20 | 0-4300-01010 | ELBOW (PT1XPF1) | 2 | 223001 ~ |
| 21 | 0-4124-01710 | ADAPTER (UNF1・1/16XPT1) | 1 | 223001 ~ |
| | 0-2040-03024 | ・O-RING (912) | 1 | 223001 ~ |
| 22 | 0-4360-01006 | ELBOW (PT1XPT3/4) | 1 | 223001 ~ |
| 23 | 0-4130-00606 | ADAPTER (PT3/4XPF3/4) | 1 | 223001 ~ |
| 24 | 0-4213-01706 | NIPPLE (UNF1・1/16XPF3/4) | 1 | 223001 ~ |
| | 0-2040-03024 | ・O-RING (912) | 1 | 223001 ~ |
| 25 | 0-4360-01010 | ELBOW (PT1XPT1) | 1 | 223001 ~ |
| 26 | 0-4200-01000 | NIPPLE (PT1) | 1 | 223001 ~ |
| 27 | 0-4100-01410 | ADAPTER (PT1・1/2XPT1) | 1 | 223001 ~ |
| 28 | 1-14670-1110 | HOOK | 2 | 223001 ~ |
| 29 | 0-1200-01008 | NUT (M10) | 1 | 223001 ~ |
| 30 | 0-1100-01025 | SPRING WASHER (M10) | 1 | 223001 ~ |
| 31 | 0-1120-01020 | PLANE WASHER (M10) | 1 | 223001 ~ |

FIG.506 HYDRAULIC OIL PIPING (MAIN PUMP DRAIN LINE)



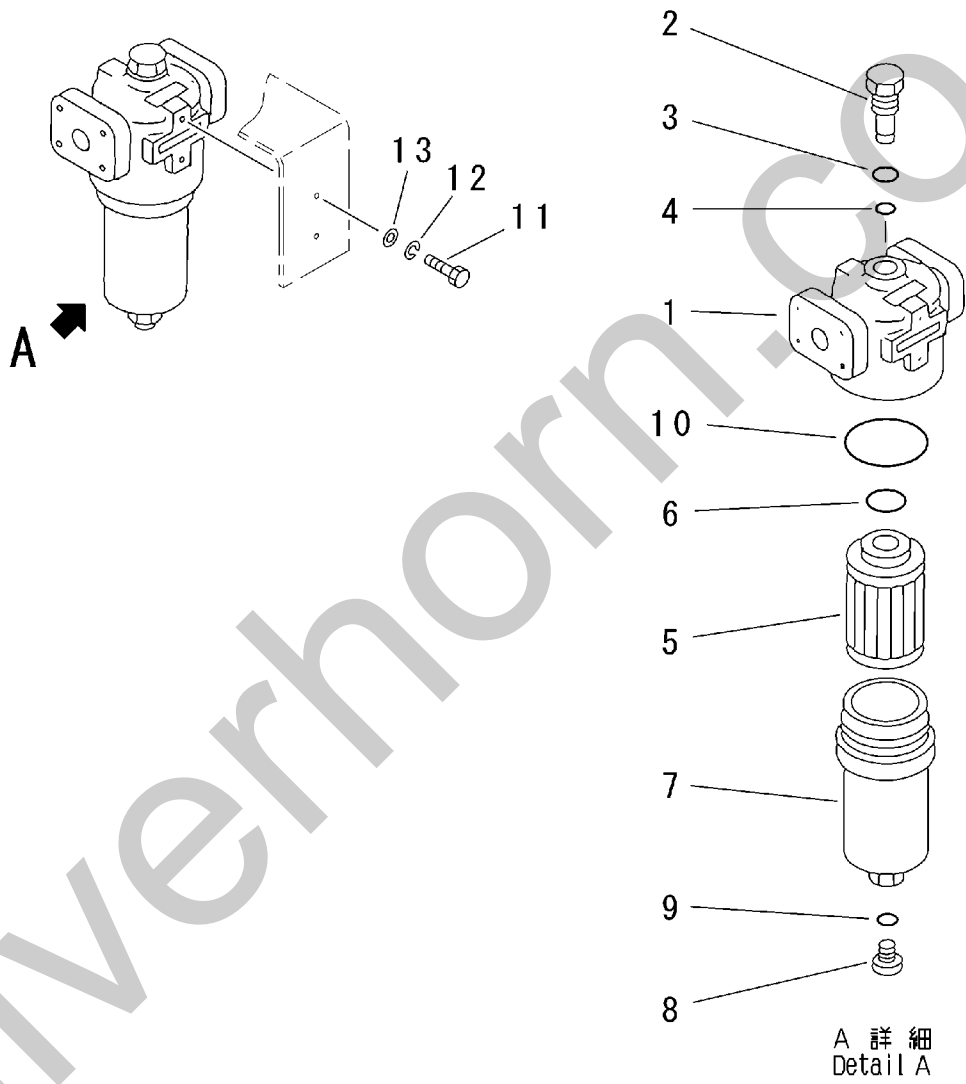
PV92946

FIG.551 HYDRAULIC OIL TANK



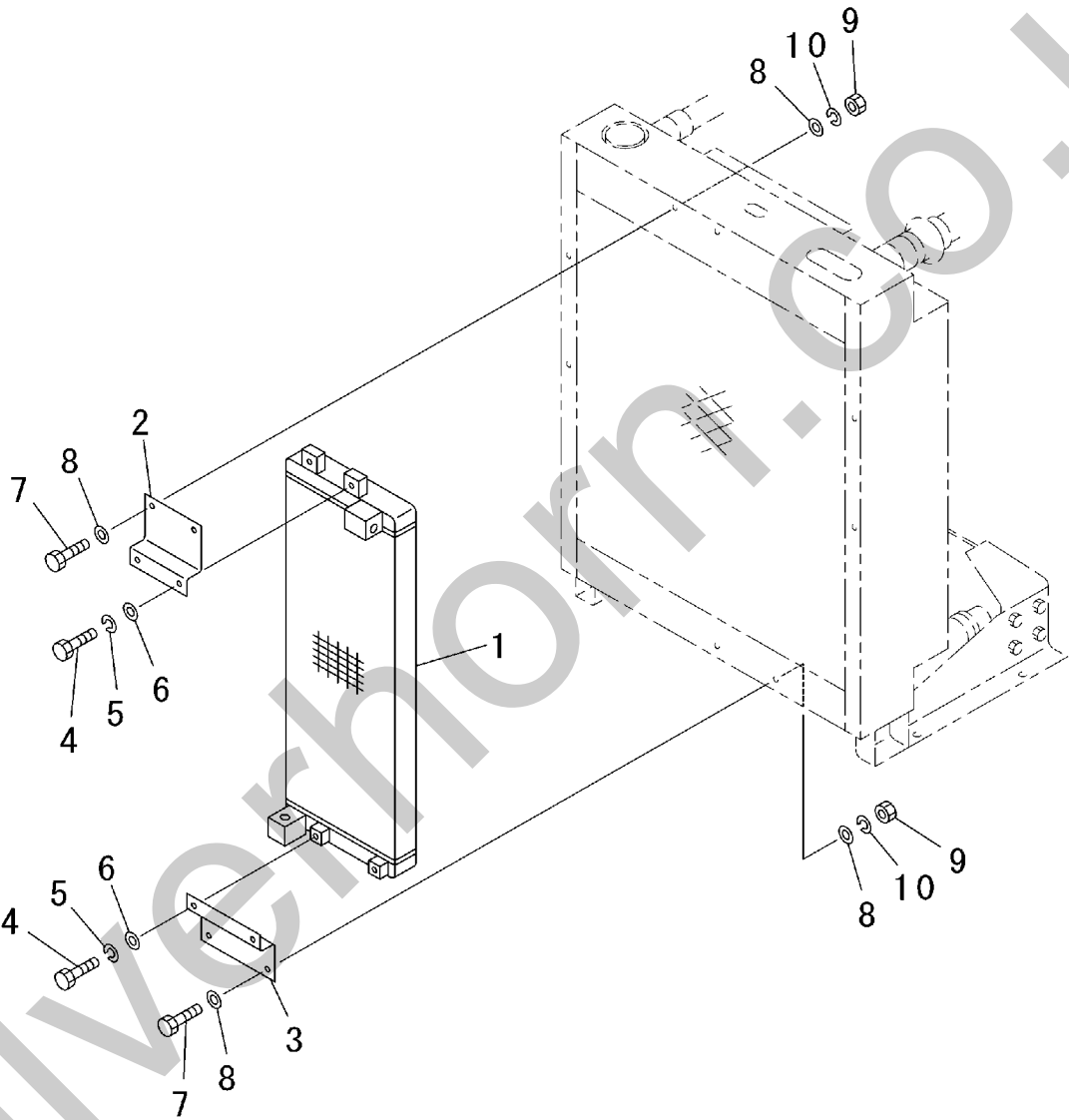
PV92337

FIG.555 HYDRAULIC OIL FILTER



PV92338

FIG. 561 OIL COOLER RELATED PARTS



PV92947

FIG.601 DUMP BODY RELATED PARTS (EARTH MOVER TYPE)

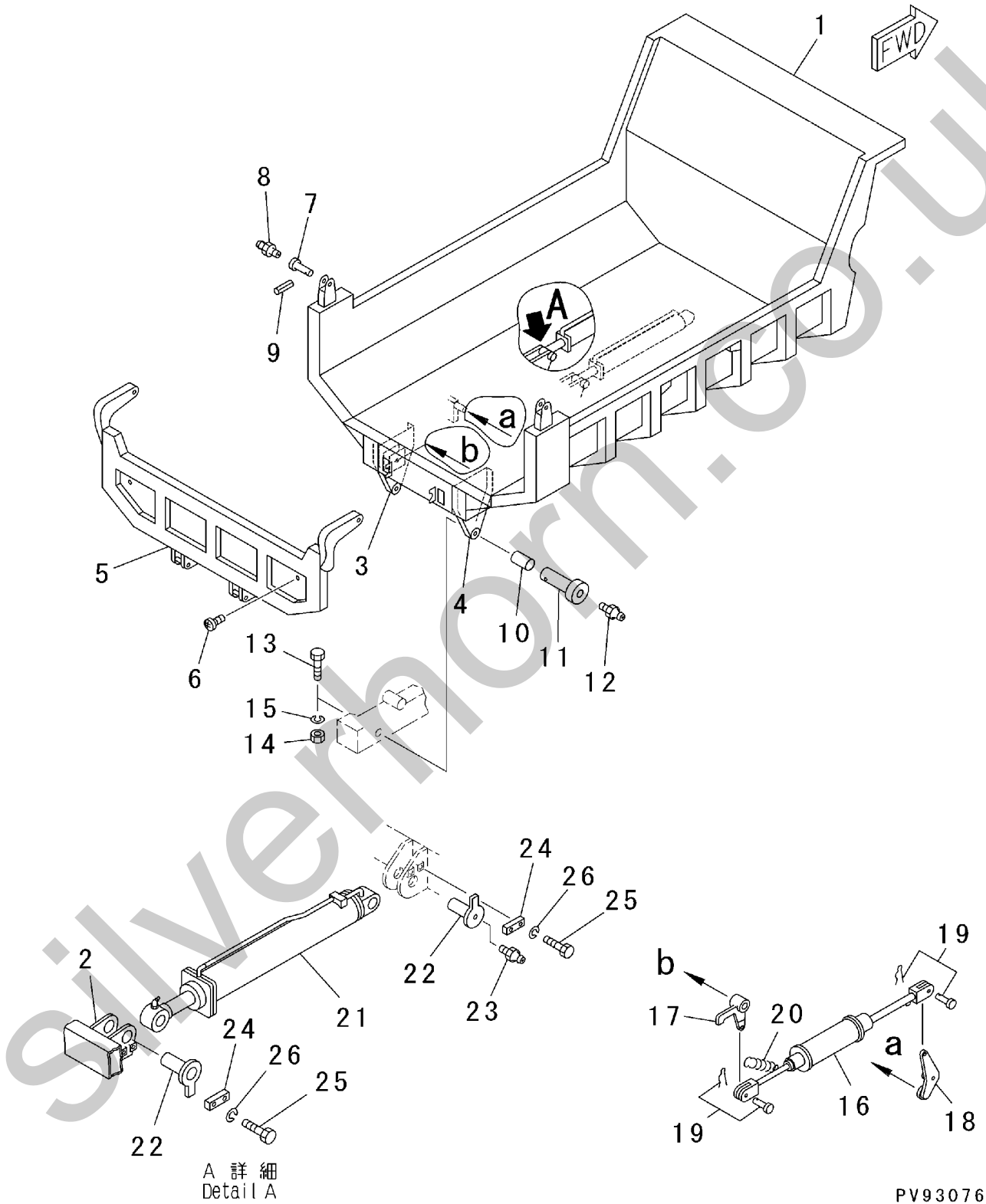
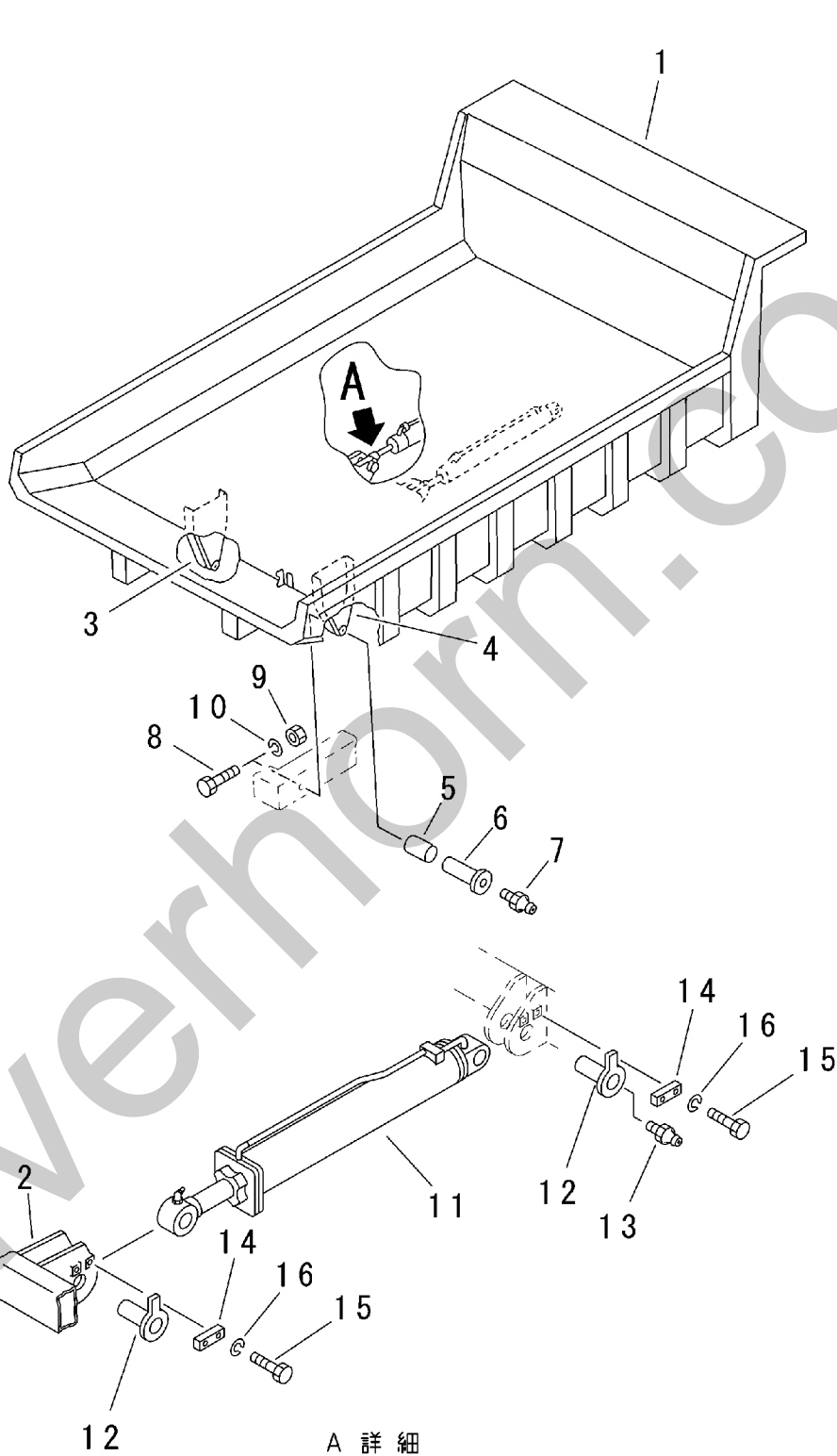


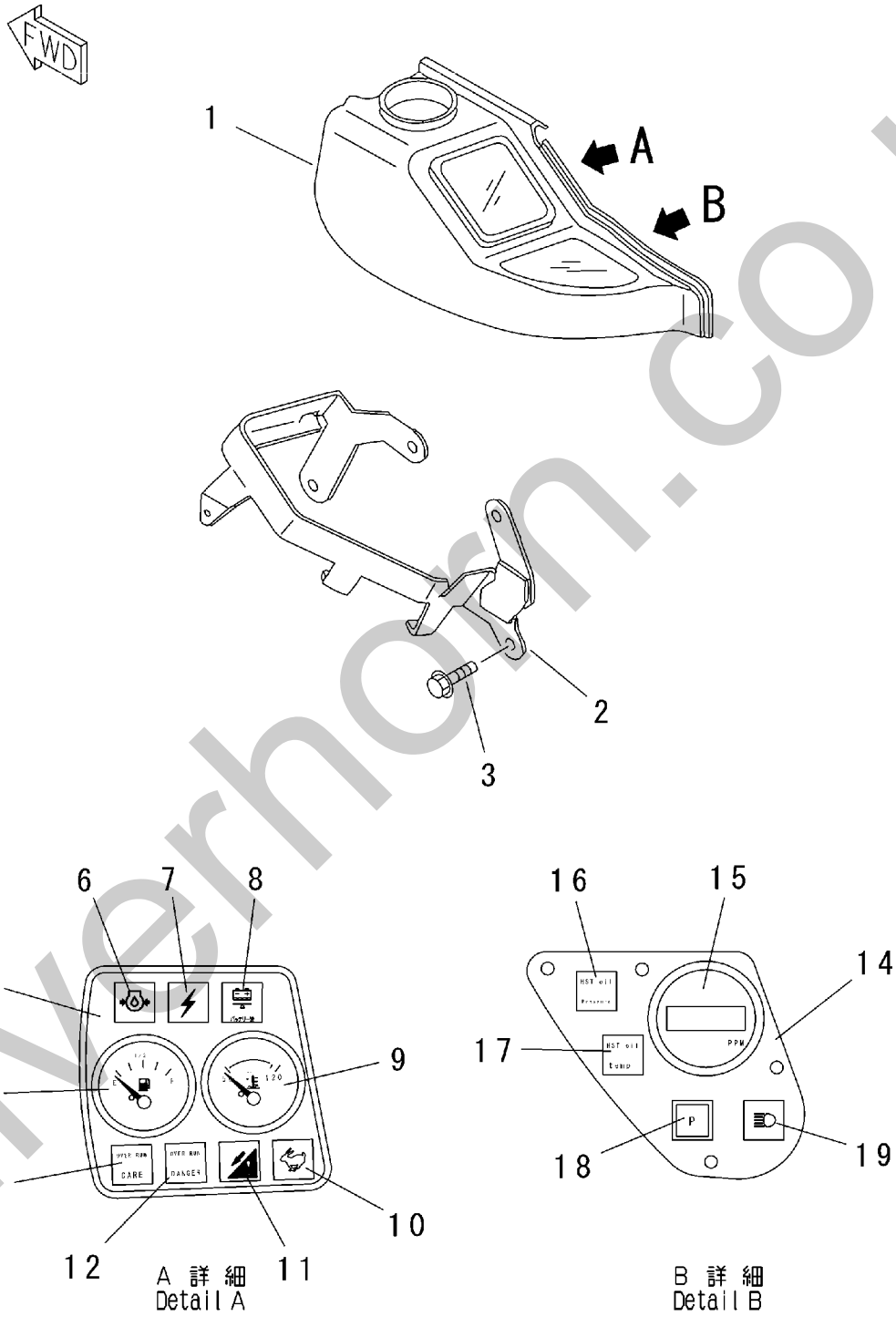
FIG.611 DUMP BODY RELATED PARTS (SCOOP END TYPE)



A 詳細
Detail A

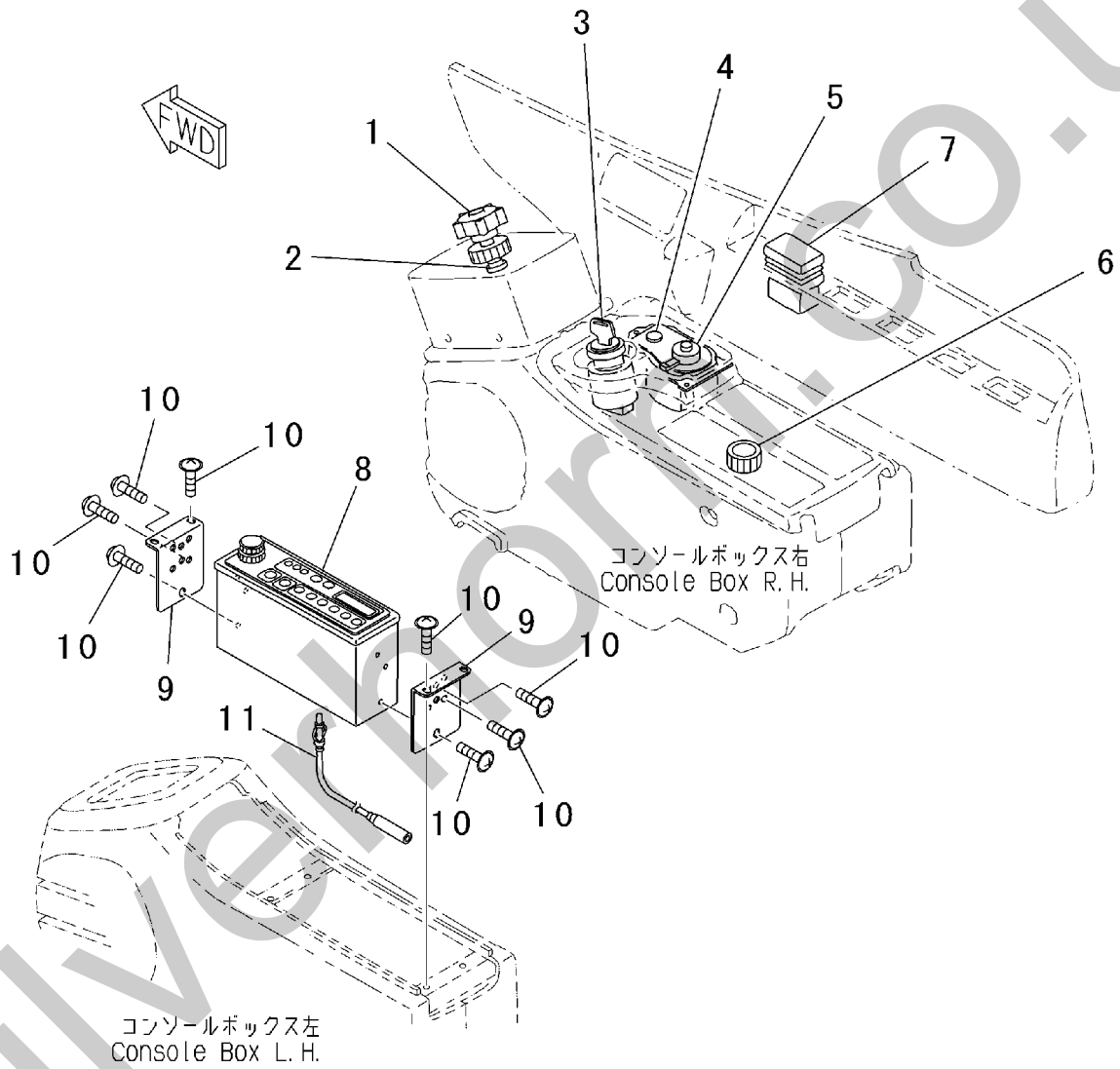
PV92339

FIG.701 ELECTRICAL SYSTEM (INSTRUMENT PANEL)



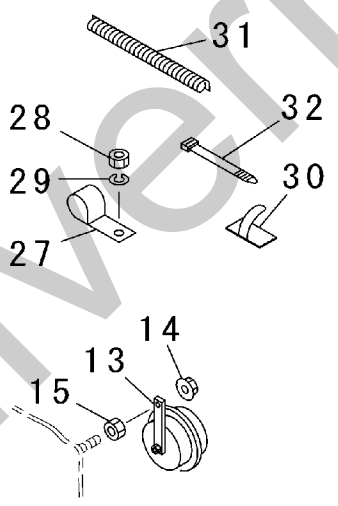
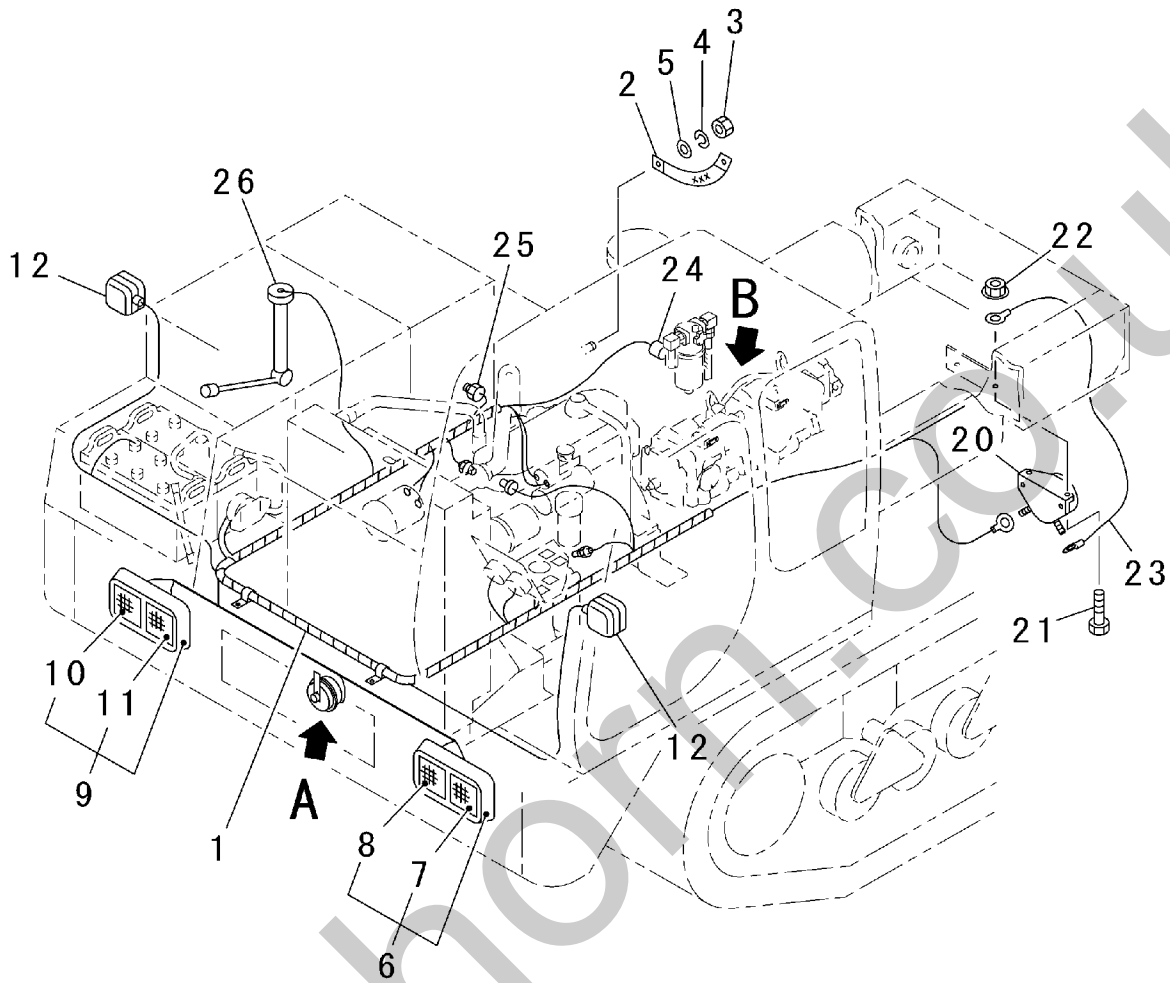
PV92340

FIG.703 ELECTRICAL SYSTEM (EACH SWITCHES AND RADIO)

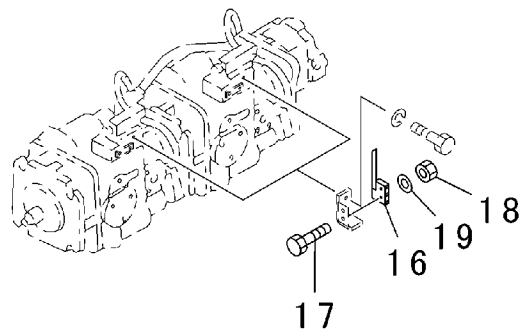


PV92948

FIG.711 ELECTRICAL SYSTEM (WIRING HARNESS AND LAMPS)



A 詳細
Detail A



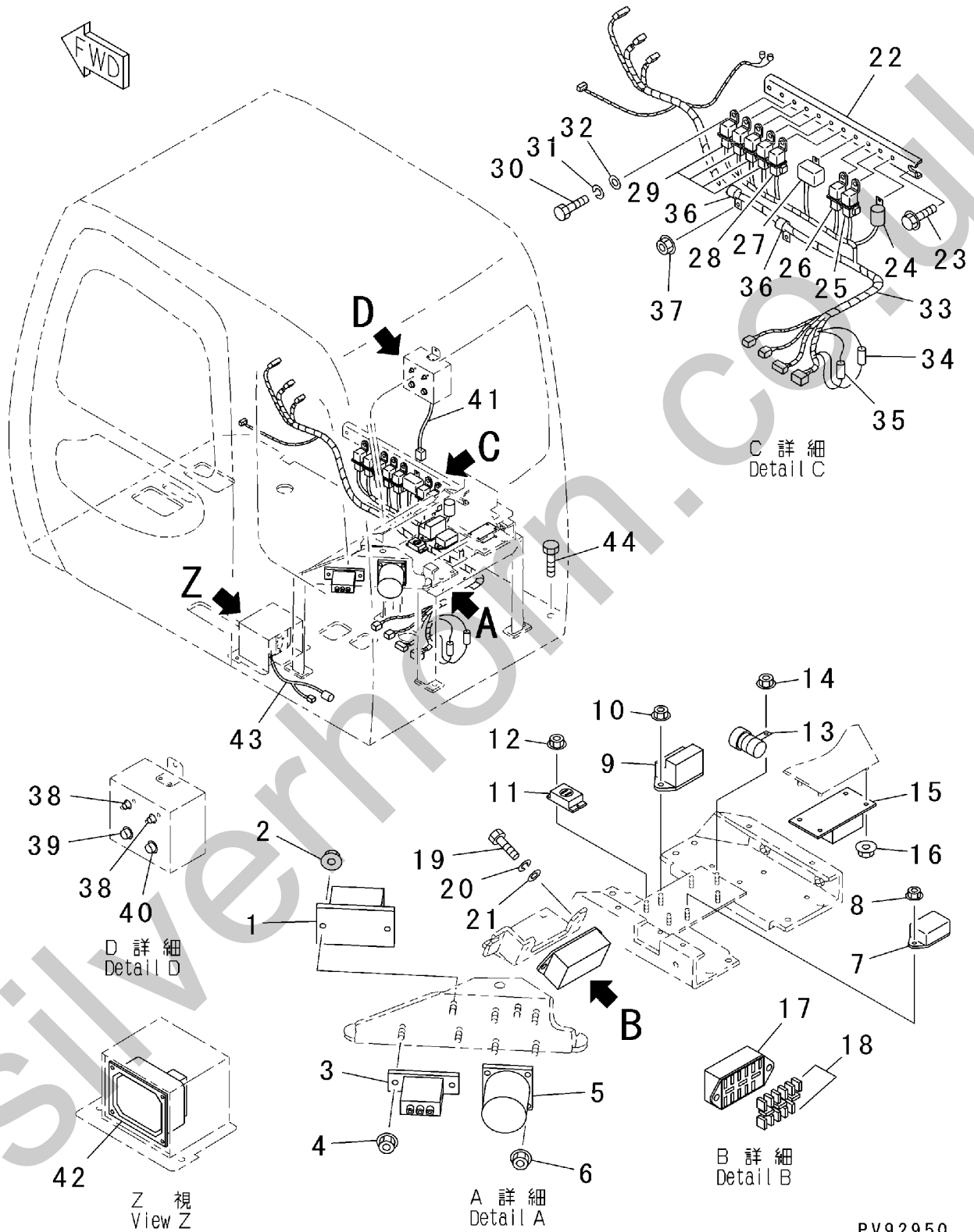
B 詳細
Detail B

PV92949

FIG.711

| INDEX | PART NO. | DESCRIPTION | Q'TY | SERIAL NO. |
|-------|----------------|---------------------------|------|------------|
| 1 | 1-46210-2310 | MAIN WIRING HARNESS | 1 | 223001 ~ |
| 2 | 1-12210-1430 | GROUND CONNECTION WIRE | 1 | 223001 ~ |
| 3 | 0-1200-01008 | NUT (M10) | 1 | 223001 ~ |
| 4 | 0-1100-01025 | SPRING WASHER (M10) | 1 | 223001 ~ |
| 5 | 0-1120-01020 | PLANE WASHER (M10) | 1 | 223001 ~ |
| 6 | 1-21210-1210 | L.H. SIDE HEAD LAMP ASS'Y | 1 | 223001 ~ |
| 7 | 1-21210-1230 | · OUTER BULB | 1 | 223001 ~ |
| 8 | 1-21210-1240 | · INNER BULB | 1 | 223001 ~ |
| 9 | 1-21210-1220 | R.H. SIDE HEAD LAMP ASS'Y | 1 | 223001 ~ |
| 10 | 1-21210-1230 | · OUTER BULB | 1 | 223001 ~ |
| 11 | 1-21210-1240 | · INNER BULB | 1 | 223001 ~ |
| 12 | 0-5120-02400 | TURN SIGNAL LAMP ASS'Y | 2 | 223001 ~ |
| 13 | 0-5600-02401 | HORN | 1 | 223001 ~ |
| 14 | 0-1260-00808 | FLANGE NUT (M8) | 1 | 223001 ~ |
| 15 | 0-1200-00806 | NUT (M8) | 1 | 223001 ~ |
| 16 | 1-32210-1560 | BACK-UP BUZZER SWITCH | 2 | 223001 ~ |
| 17 | 0-1000-00430 | BOLT (M4X30) | 4 | 223001 ~ |
| 18 | 0-1200-00403 | NUT (M4) | 4 | 223001 ~ |
| 19 | 0-1130-00408 | PLANE WASHER (M4) | 4 | 223001 ~ |
| 20 | 1-28210-1520 | BACK-UP BUZZER | 1 | 223001 ~ |
| 21 | 0-1300-00620 | SCREW (M6X20) | 2 | 223001 ~ |
| 22 | 0-1260-00606 | FLANGE NUT (M6) | 2 | 223001 ~ |
| 23 | 1-46210-1420 | WIRING HARNESS | 1 | 223001 ~ |
| 24 | 1-29210-1550 | HST OIL PRESSURE SWITCH | 1 | 223001 ~ |
| 25 | 1-12210-1600 | HST OIL TEMP. UNIT | 1 | 223001 ~ |
| 26 | (1-32210-1180) | FUEL LEVEL SENSOR | 1 | 223001 ~ |
| 27 | 0-2720-02506 | CLIP | AR | 223001 ~ |
| | 0-2720-01206 | CLIP | AR | 223001 ~ |
| 28 | 0-1200-00605 | NUT (M6) | AR | 223001 ~ |
| 29 | 0-1100-00615 | SPRING WASHER (M6) | AR | 223001 ~ |
| 30 | 0-2750-00000 | CLIP | AR | 223001 ~ |
| 31 | 0-2830-01520 | SPIRAL TUBE | AR | 223001 ~ |
| | 0-2830-02420 | SPIRAL TUBE | AR | 223001 ~ |
| | 0-2830-02920 | SPIRAL TUBE | AR | 223001 ~ |
| 32 | 0-2800-00202 | STRAP BAND | AR | 223001 ~ |
| | 0-2800-00383 | STRAP BAND | AR | 223001 ~ |
| | | | | |
| | | | | |
| | | | | |
| | | | | |

FIG.713 ELECTRICAL SYSTEM (RELAY AND FUSE BOX)

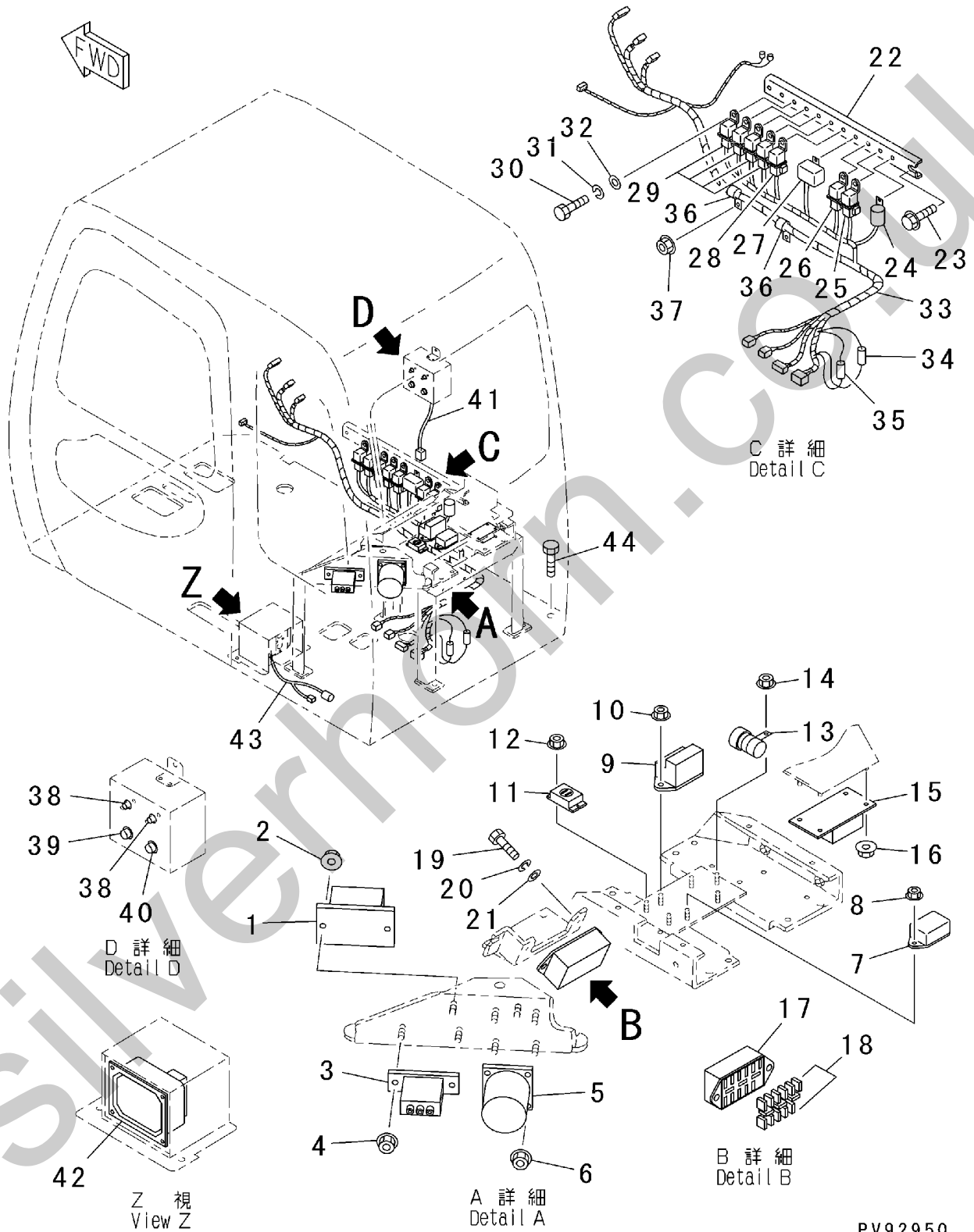


PV92950

FIG.713

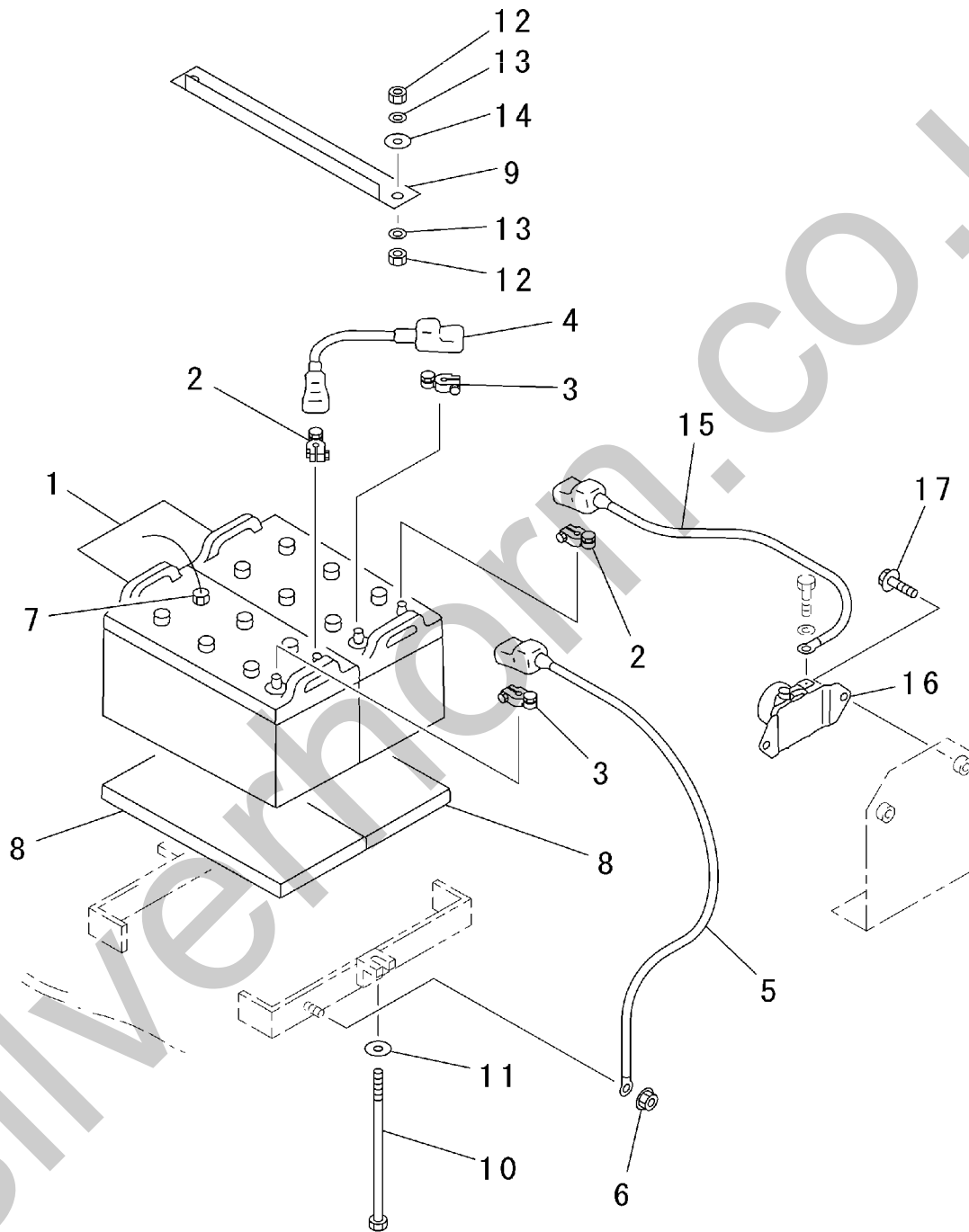
| INDEX | PART NO. | DESCRIPTION | Q'TY | SERIAL NO. |
|-------|--------------|---------------------------|------|------------|
| 1 | 1-39210-1360 | HIGH SPEED UNIT | 1 | 223001 ~ |
| 2 | 0-1260-00404 | FLANGE NUT (M4) | 2 | 223001 ~ |
| 3 | 1-12210-1600 | HST OIL TEMP. UNIT | 1 | 223001 ~ |
| 4 | 0-1260-00505 | FLANGE NUT (M5) | 2 | 223001 ~ |
| 5 | 1-41210-2120 | TACHOMETER UNIT | 1 | 223001 ~ |
| 6 | 0-1260-00505 | FLANGE NUT (M5) | 4 | 223001 ~ |
| 7 | 1-41210-1321 | EMERGENCY RELAY ASS'Y | 1 | 223001 ~ |
| 8 | 0-1260-00606 | FLANGE NUT (M6) | 2 | 223001 ~ |
| 9 | 1-41210-1311 | SAFETY RELAY ASS'Y | 1 | 223001 ~ |
| 10 | 0-1260-00606 | FLANGE NUT (M6) | 2 | 223001 ~ |
| 11 | 1-46210-1520 | PARKING BRAKE BUZZER | 1 | 223001 ~ |
| 12 | 0-1260-00404 | FLANGE NUT (M4) | 1 | 223001 ~ |
| 13 | 1-43210-1520 | OVER-RUN BUZZER | 1 | 223001 ~ |
| 14 | 0-1260-00808 | FLANGE NUT (M8) | 1 | 223001 ~ |
| 15 | 1-29210-1310 | SLOPE WARNING BOX | 1 | 223001 ~ |
| 16 | 0-1260-00606 | FLANGE NUT (M6) | 4 | 223001 ~ |
| 17 | 1-41210-2150 | FUSE BOX ASS'Y | 1 | 223001 ~ |
| 18 | 0-5060-00015 | BLADE FUSE (15A) | 14 | 223001 ~ |
| 19 | 0-1000-00616 | BOLT (M6X16) | 2 | 223001 ~ |
| 20 | 0-1100-00615 | SPRING WASHER (M6) | 2 | 223001 ~ |
| 21 | 0-1120-00616 | PLANE WASHER (M6) | 2 | 223001 ~ |
| 22 | HC8061543 | RELAY BRACKET | 1 | 223001 ~ |
| 23 | HCJ020816 | SEMS BOLT (M8X16) | 2 | 223001 ~ |
| 24 | 0-5520-02400 | FLASHER RELAY ASS'Y | 1 | 223001 ~ |
| 25 | 0-5530-02440 | ELECTROLYTE LEVEL RELAY | 1 | 223001 ~ |
| 26 | 1-32210-1510 | PARKING BRAKE RELAY | 1 | 223001 ~ |
| 27 | 1-29210-1530 | ELECTROLYTE LEVEL UNIT | 1 | 223001 ~ |
| 28 | 1-32210-1510 | WIPER STOP RELAY | 1 | 223001 ~ |
| 29 | 1-41210-2160 | WIPER RELAY | 4 | 223001 ~ |
| 30 | 0-1000-00616 | BOLT (M6X16) | 9 | 223001 ~ |
| 31 | 0-1100-00615 | SPRING WASHER (M6) | 9 | 223001 ~ |
| 32 | 0-1120-00616 | PLANE WASHER (M6) | 9 | 223001 ~ |
| 33 | 1-41210-2370 | WIRING HARNESS | 1 | 223001 ~ |
| 34 | 0-5050-00040 | FUSE (40A) | 1 | 223001 ~ |
| 35 | 0-5050-00010 | FUSE (10A) | 1 | 223001 ~ |
| 36 | 1-41210-2380 | CLIP | 2 | 223001 ~ |
| 37 | 0-1260-00606 | FLANGE NUT (M6) | 2 | 223001 ~ |
| 38 | 1-46210-2710 | CIRCUIT BREAKER | 2 | 223001 ~ |
| 39 | 1-46210-2720 | ENGINE WARNING LAMP | 1 | 223001 ~ |
| 40 | 1-46210-2730 | ENGINE START CAUTION LAMP | 1 | 223001 ~ |

FIG.713 ELECTRICAL SYSTEM (RELAY AND FUSE BOX)



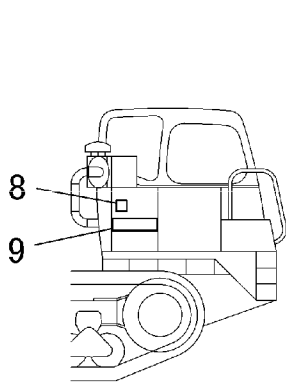
PV92950

FIG.715 ELECTRICAL SYSTEM (BATTERY AND BATTERY RELAY)

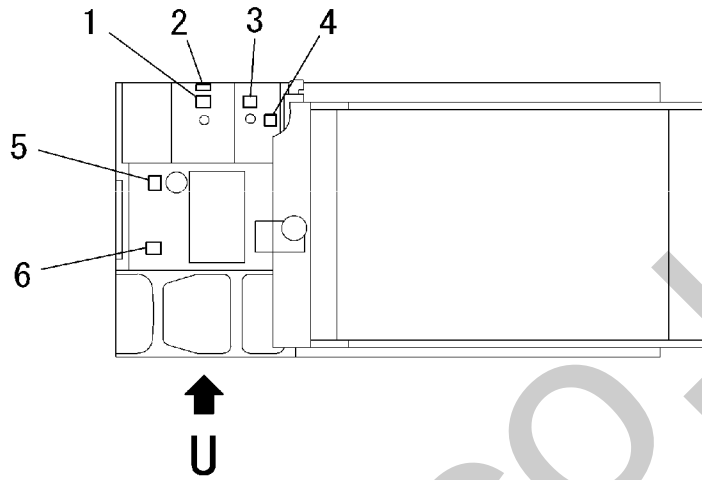


PV92951

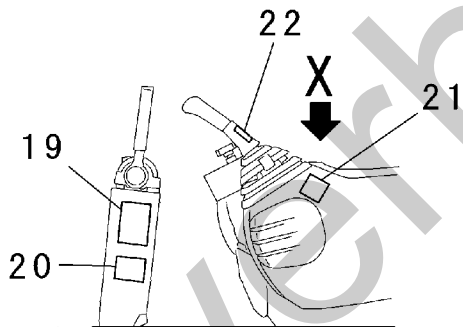
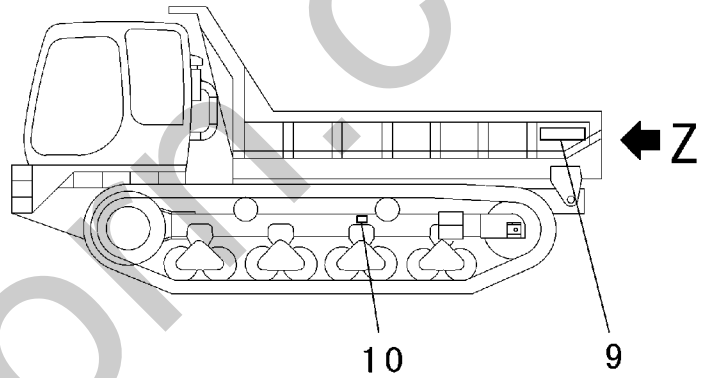
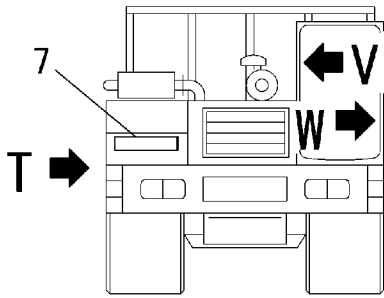
FIG.801 MARKS AND PLATES (JAPANESE)



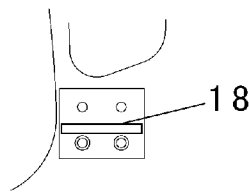
T 視
View T



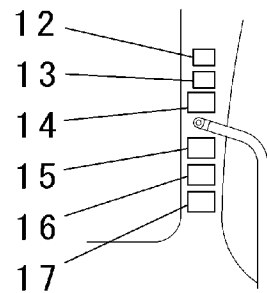
U 視
View U



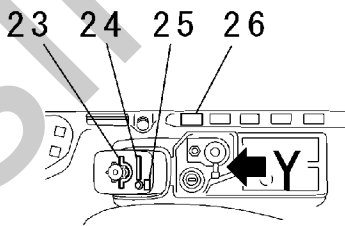
X 視
View X



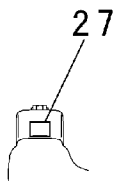
V 視
View V



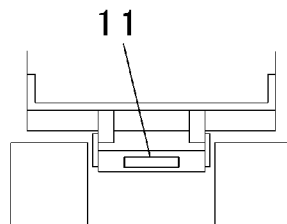
W 視
View W



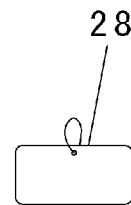
Y 視
View Y



Y 視
View Y



Z 視
View Z

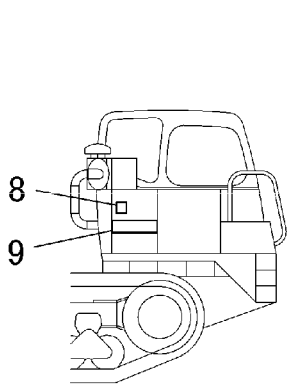


PV92952

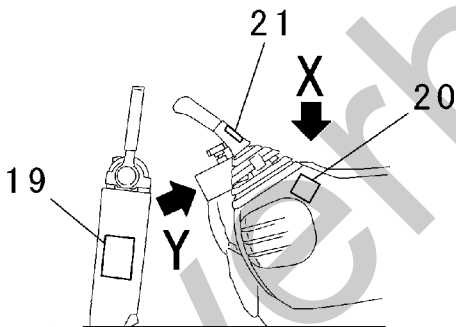
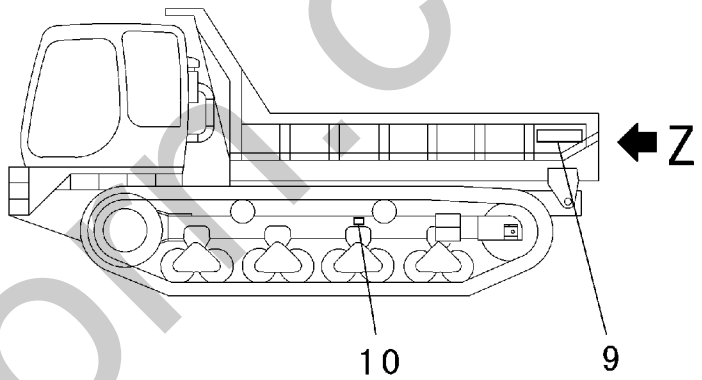
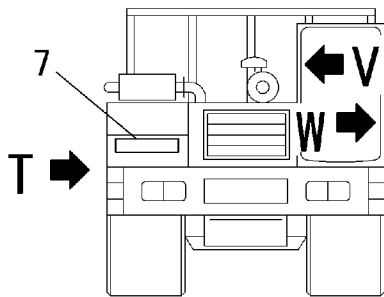
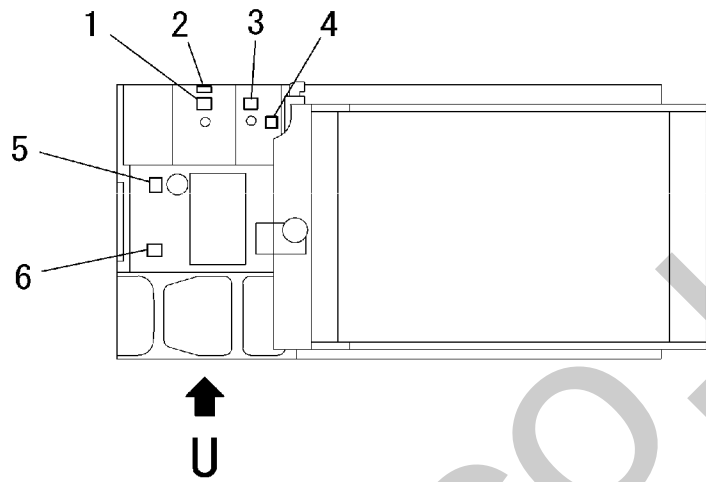
FIG.801

| INDEX | PART NO. | DESCRIPTION | Q'TY | SERIAL NO. |
|-------|--------------|---|------|------------|
| 1 | 1-12020-1090 | DANGER PLATE (DIESEL FUEL) | 1 | 223001 ~ |
| 2 | 1-12020-1190 | CAUTION PLATE (FUEL) | 1 | 223001 ~ |
| 3 | 1-12020-1030 | CAUTION PLATE (HYDRAULIC OIL) | 1 | 223001 ~ |
| 4 | 1-12020-1020 | WARNING PLATE (MUFFLER) | 1 | 223001 ~ |
| 5 | 1-12020-1130 | WARNING PLATE (FAN AND PULLEY) | 1 | 223001 ~ |
| 6 | 1-12020-1120 | WARNING PLATE (RADIATOR) | 1 | 223001 ~ |
| 7 | 0-7110-00000 | MARK PLATE (MOROOKA) | 2 | 223001 ~ |
| 8 | 1-12020-1150 | DANGER PLATE (RUBBER CRAWLER) | 1 | 223001 ~ |
| 9 | 0-7120-02202 | MARK PLATE (MST-2200VD) | 2 | 223001 ~ |
| 10 | 1-12020-1140 | WARNING PLATE (TRACK ADJUSTMENT VALVE) | 2 | 223001 ~ |
| 11 | 0-7131-00000 | MARK PLATE (10000kg) | 1 | 223001 ~ |
| 12 | 1-12020-1050 | CAUTION PLATE (WARM-UP) | 1 | 223001 ~ |
| 13 | 1-12020-1040 | WARNING PLATE (SEAT BELT) | 1 | 223001 ~ |
| 14 | 1-12020-1070 | WARNING PLATE (STARTING AND TRAVELING) | 1 | 223001 ~ |
| 15 | 1-12020-1081 | WARNING PLATE (SLOPE TRAVELING) | 1 | 223001 ~ |
| 16 | 1-12020-1060 | WARNING PLATE (OPERATING AND MAINTENANCE) | 1 | 223001 ~ |
| 17 | 1-12020-1180 | CAUTION PLATE (PERIODICAL REPLACEMENT PARTS) | 1 | 223001 ~ |
| 18 | 1-46010-2410 | OPERATING PLATE (ENGINE STARTING) | 1 | 223001 ~ |
| 19 | 1-46010-2120 | NAME PLATE (SPECIFICATION) | 1 | 223001 ~ |
| 20 | 0-7010-02200 | NAME PLATE (SERIAL NO.) | 1 | 223001 ~ |
| 21 | 1-12020-1160 | OPERATING PLATE (DUMP LEVER LOCK) | 1 | 223001 ~ |
| 22 | 1-41010-1430 | OPERATING PLATE (DUMP LEVER) | 1 | 223001 ~ |
| 23 | 1-46010-2430 | OPERATING PLATE (ENGINE SPEED CONTROL DIAL) | 1 | 223001 ~ |
| 24 | 1-46010-2440 | NAME PLATE (THROTTLE) | 1 | 223001 ~ |
| 25 | 1-46010-2450 | NAME PLATE (H-L SPEED SWITCH) | 1 | 223001 ~ |
| 26 | 1-41010-1440 | OPERATING PLATE (PARKING BRAKE) | 1 | 223001 ~ |
| 27 | 1-46010-2420 | OPERATING PLATE (ENGINE STARTING) | 1 | 223001 ~ |
| 28 | 1-12020-1010 | TAG (DO NOT OPERATE) | 1 | 223001 ~ |
| | | | | |
| | | | | |
| | | | | |

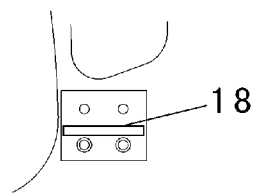
FIG.811 MARKS AND PLATES (ENGLISH)



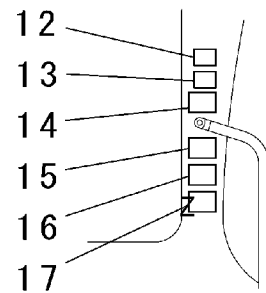
T 視
View T



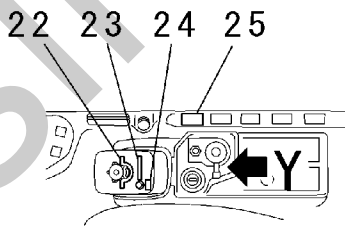
U 視
View U



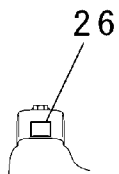
V 視
View V



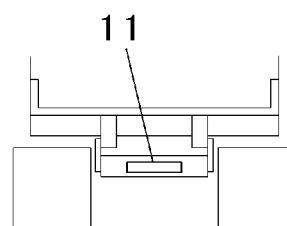
W 視
View W



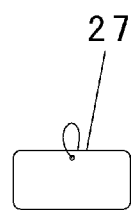
X 視
View X



Y 視
View Y



Z 視
View Z

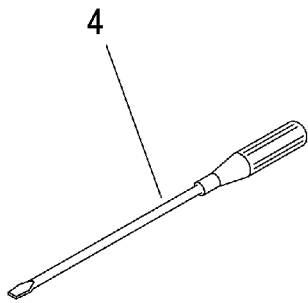
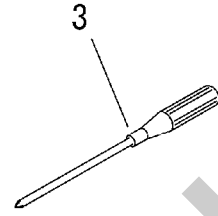
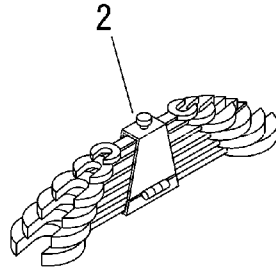
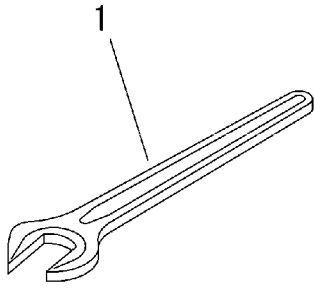


PV92953

FIG.811

| INDEX | PART NO. | DESCRIPTION | Q'TY | SERIAL NO. |
|-------|--------------|---|------|------------|
| 1 | 1-41010-1280 | DANGER PLATE (DIESEL FUEL) | 1 | 223001 ~ |
| 2 | 1-12020-1310 | CAUTION PLATE (FUEL) | 1 | 223001 ~ |
| 3 | 1-41010-1250 | CAUTION PLATE (HYDRAULIC OIL) | 1 | 223001 ~ |
| 4 | 1-41010-1220 | WARNING PLATE (MUFFLER) | 1 | 223001 ~ |
| 5 | 1-41010-1260 | WARNING PLATE (FAN AND PULLEY) | 1 | 223001 ~ |
| 6 | 1-41010-1300 | WARNING PLATE (RADIATOR) | 1 | 223001 ~ |
| 7 | 0-7110-00000 | NAME PLATE (MOROOKA) | 2 | 223001 ~ |
| 8 | 1-41010-1240 | DANGER PLATE (RUBBER CRAWLER) | 1 | 223001 ~ |
| 9 | 0-7120-02202 | NAME PLATE (MST-2200VD) | 2 | 223001 ~ |
| 10 | 1-41010-1270 | WARNING PLATE (TRACK ADJUSTMENT VALVE) | 2 | 223001 ~ |
| 11 | 0-7131-10000 | NAME PLATE (10000kg) | 1 | 223001 ~ |
| 12 | 1-41010-1230 | CAUTION PLATE (WARM-UP) | 1 | 223001 ~ |
| 13 | 1-41010-1310 | WARNING PLATE (SEAT BELT) | 1 | 223001 ~ |
| 14 | 1-41010-1320 | WARNING PLATE (STARTING AND TRAVELING) | 1 | 223001 ~ |
| 15 | 1-41010-1290 | WARNING PLATE (SLOPE TRAVELING) | 1 | 223001 ~ |
| 16 | 1-41010-1330 | WARNING PLATE (OPERATING AND MAINTENANCE) | 1 | 223001 ~ |
| 17 | 1-12020-1210 | CAUTION PLATE (PERIODICAL REPLACEMENT PARTS) | 1 | 223001 ~ |
| 18 | 1-46010-2510 | OPERATING PLATE (ENGINE STARTING) | 1 | 223001 ~ |
| 19 | 0-7010-12200 | NAME PLATE (SERIAL NO.) | 1 | 223001 ~ |
| 20 | 1-41010-1350 | OPERATING PLATE (DUMP LEVER LOCK) | 1 | 223001 ~ |
| 21 | 1-41010-1490 | OPERATING PLATE (DUMP LEVER) | 1 | 223001 ~ |
| 22 | 1-46010-2530 | OPERATING PLATE (ENGINE SPEED CONTROL DIAL) | 1 | 223001 ~ |
| 23 | 1-46010-2540 | NAME PLATE (THROTTLE) | 1 | 223001 ~ |
| 24 | 1-46010-2550 | NAME PLATE (H-L SPEED SWITCH) | 1 | 223001 ~ |
| 25 | 1-41010-1470 | OPERATING PLATE (PARKING BRAKE) | 1 | 223001 ~ |
| 26 | 1-46010-2520 | OPERATING PLATE (ENGINE STARTING) | 1 | 223001 ~ |
| 27 | 1-41010-1210 | TAG (DO NOT OPERATE) | 1 | 223001 ~ |
| | | | | |
| | | | | |
| | | | | |
| | | | | |

FIG.901 TOOLS



Silverhorn.CO.UK

PV92346

品番順索引表
NUMERICAL INDEX

Silverhorn.CO.UK

| | | | | | |
|--------------|-----|----|--------------|-----|----|
| 0-1000-01016 | 561 | 07 | 0-1020-31025 | 501 | 15 |
| 0-1000-01020 | 121 | 16 | 0-1020-31240 | 501 | 09 |
| 0-1000-01020 | 201 | 07 | 0-1021-31620 | 105 | 06 |
| 0-1000-01020 | 201 | 12 | 0-1050-00616 | 213 | 04 |
| 0-1000-01020 | 202 | 08 | 0-1050-00820 | 253 | 05 |
| 0-1000-01020 | 202 | 12 | 0-1050-00820 | 715 | 17 |
| 0-1000-01020 | 203 | 47 | 0-1070-01030 | 254 | 12 |
| 0-1000-01020 | 204 | 26 | 0-1090-00610 | 421 | 22 |
| 0-1000-01020 | 401 | 22 | 0-1090-01025 | 421 | 02 |
| 0-1000-01025 | 201 | 03 | 0-1100-00410 | 121 | 10 |
| 0-1000-01025 | 202 | 03 | 0-1100-00513 | 203 | 23 |
| 0-1000-01025 | 202 | 21 | 0-1100-00513 | 204 | 06 |
| 0-1000-01025 | 203 | 17 | 0-1100-00513 | 204 | 10 |
| 0-1000-01025 | 203 | 43 | 0-1100-00615 | 101 | 43 |
| 0-1000-01025 | 252 | 11 | 0-1100-00615 | 121 | 14 |
| 0-1000-01025 | 311 | 10 | 0-1100-00615 | 121 | 29 |
| 0-1000-01025 | 551 | 17 | 0-1100-00615 | 202 | 25 |
| 0-1000-01030 | 401 | 02 | 0-1100-00615 | 203 | 27 |
| 0-1000-01030 | 555 | 11 | 0-1100-00615 | 203 | 30 |
| 0-1000-01035 | 101 | 31 | 0-1100-00615 | 203 | 34 |

| PARTS No. | FIG. No. | INDEX |
|--------------|----------|-------|
| 0-1000-00430 | 711 | 17 |
| 0-1000-00516 | 203 | 21 |
| 0-1000-00516 | 204 | 04 |
| 0-1000-00516 | 204 | 08 |
| 0-1000-00610 | 121 | 13 |
| 0-1000-00610 | 203 | 29 |
| 0-1000-00610 | 204 | 12 |
| 0-1000-00612 | 203 | 33 |
| 0-1000-00612 | 204 | 16 |
| 0-1000-00616 | 202 | 24 |
| 0-1000-00616 | 203 | 25 |
| 0-1000-00616 | 203 | 36 |
| 0-1000-00616 | 204 | 19 |
| 0-1000-00616 | 231 | 26 |
| 0-1000-00616 | 713 | 19 |
| 0-1000-00616 | 713 | 30 |
| 0-1000-00620 | 231 | 22 |
| 0-1000-00630 | 421 | 16 |
| 0-1000-00816 | 311 | 12 |
| 0-1000-00816 | 504 | 02 |
| 0-1000-00816 | 551 | 05 |
| 0-1000-00820 | 111 | 11 |
| 0-1000-00820 | 201 | 24 |
| 0-1000-00825 | 115 | 13 |
| 0-1000-00825 | 211 | 08 |
| 0-1000-00830 | 115 | 12 |
| 0-1000-01016 | 111 | 14 |
| 0-1000-01016 | 111 | 22 |
| 0-1000-01016 | 253 | 12 |
| 0-1000-01016 | 561 | 04 |

| PARTS No. | FIG. No. | INDEX |
|--------------|----------|-------|
| 0-1000-01035 | 101 | 37 |
| 0-1000-01220 | 201 | 20 |
| 0-1000-01220 | 201 | 27 |
| 0-1000-01225 | 203 | 12 |
| 0-1000-01230 | 201 | 16 |
| 0-1000-01230 | 203 | 02 |
| 0-1000-01235 | 203 | 06 |
| 0-1000-01245 | 501 | 17 |
| 0-1000-31025 | 202 | 16 |
| 0-1000-31040 | 115 | 09 |
| 0-1000-31225 | 301 | 19 |
| 0-1000-31225 | 311 | 14 |
| 0-1000-31225 | 601 | 25 |
| 0-1000-31225 | 611 | 15 |
| 0-1000-31230 | 202 | 18 |
| 0-1000-31235 | 101 | 06 |
| 0-1000-31235 | 101 | 20 |
| 0-1000-31235 | 105 | 21 |
| 0-1000-31240 | 105 | 10 |
| 0-1000-31420 | 101 | 28 |
| 0-1000-31640 | 101 | 03 |
| 0-1000-31660 | 101 | 14 |
| 0-1000-31825 | 401 | 18 |
| 0-1000-32055 | 105 | 23 |
| 0-1000-32060 | 301 | 03 |
| 0-1000-32060 | 301 | 07 |
| 0-1001-01630 | 211 | 03 |
| 0-1001-31200 | 601 | 13 |
| 0-1001-31200 | 611 | 08 |
| 0-1001-31830 | 713 | 44 |

| | | | | | |
|--------------|-----|----|--------------|-----|----|
| 0-1100-01025 | 202 | 09 | 0-1100-31640 | 101 | 18 |
| 0-1100-01025 | 202 | 13 | 0-1100-31640 | 101 | 25 |
| 0-1100-01025 | 202 | 22 | 0-1120-00616 | 121 | 15 |
| 0-1100-01025 | 203 | 18 | 0-1120-00616 | 202 | 26 |
| 0-1100-01025 | 203 | 44 | 0-1120-00616 | 231 | 24 |
| 0-1100-01025 | 203 | 48 | 0-1120-00616 | 231 | 28 |
| 0-1100-01025 | 204 | 27 | 0-1120-00616 | 401 | 08 |
| 0-1100-01025 | 252 | 06 | 0-1120-00616 | 421 | 19 |
| 0-1100-01025 | 252 | 12 | 0-1120-00616 | 421 | 23 |
| 0-1100-01025 | 253 | 13 | 0-1120-00616 | 713 | 21 |
| 0-1100-01025 | 254 | 13 | 0-1120-00616 | 713 | 32 |
| 0-1100-01025 | 311 | 11 | 0-1120-00816 | 111 | 13 |
| 0-1100-01025 | 401 | 03 | 0-1120-00816 | 115 | 14 |
| 0-1100-01025 | 401 | 16 | 0-1120-00816 | 203 | 42 |
| 0-1100-01025 | 401 | 23 | 0-1120-00816 | 204 | 25 |
| 0-1100-01025 | 502 | 11 | 0-1120-00816 | 211 | 10 |
| 0-1100-01025 | 505 | 30 | 0-1120-00816 | 252 | 10 |
| 0-1100-01025 | 551 | 18 | 0-1120-00816 | 253 | 08 |
| 0-1100-01025 | 555 | 12 | 0-1120-01020 | 101 | 32 |
| 0-1100-01025 | 561 | 05 | 0-1120-01020 | 101 | 38 |

| PARTS No. | FIG. No. | INDEX |
|--------------|----------|-------|
| 0-1100-00615 | 203 | 38 |
| 0-1100-00615 | 204 | 13 |
| 0-1100-00615 | 204 | 17 |
| 0-1100-00615 | 204 | 21 |
| 0-1100-00615 | 231 | 23 |
| 0-1100-00615 | 231 | 27 |
| 0-1100-00615 | 421 | 18 |
| 0-1100-00615 | 711 | 29 |
| 0-1100-00615 | 713 | 20 |
| 0-1100-00615 | 713 | 31 |
| 0-1100-00820 | 111 | 12 |
| 0-1100-00820 | 115 | 16 |
| 0-1100-00820 | 201 | 25 |
| 0-1100-00820 | 203 | 41 |
| 0-1100-00820 | 204 | 24 |
| 0-1100-00820 | 211 | 09 |
| 0-1100-00820 | 253 | 07 |
| 0-1100-00820 | 311 | 13 |
| 0-1100-00820 | 504 | 03 |
| 0-1100-00820 | 551 | 06 |
| 0-1100-01020 | 111 | 16 |
| 0-1100-01025 | 101 | 34 |
| 0-1100-01025 | 101 | 40 |
| 0-1100-01025 | 111 | 15 |
| 0-1100-01025 | 111 | 23 |
| 0-1100-01025 | 111 | 17 |
| 0-1100-01025 | 121 | 17 |
| 0-1100-01025 | 201 | 04 |
| 0-1100-01025 | 201 | 08 |
| 0-1100-01025 | 201 | 13 |
| 0-1100-01025 | 202 | 04 |

| PARTS No. | FIG. No. | INDEX |
|--------------|----------|-------|
| 0-1100-01025 | 561 | 10 |
| 0-1100-01025 | 711 | 04 |
| 0-1100-01230 | 105 | 19 |
| 0-1100-01230 | 105 | 22 |
| 0-1100-01230 | 201 | 17 |
| 0-1100-01230 | 201 | 21 |
| 0-1100-01230 | 201 | 28 |
| 0-1100-01230 | 203 | 03 |
| 0-1100-01230 | 203 | 08 |
| 0-1100-01230 | 203 | 13 |
| 0-1100-01230 | 301 | 20 |
| 0-1100-01230 | 311 | 15 |
| 0-1100-01230 | 501 | 18 |
| 0-1100-01230 | 503 | 13 |
| 0-1100-01230 | 601 | 15 |
| 0-1100-01230 | 601 | 26 |
| 0-1100-01230 | 611 | 10 |
| 0-1100-01230 | 611 | 16 |
| 0-1100-02051 | 105 | 24 |
| 0-1100-02051 | 301 | 04 |
| 0-1100-03690 | 301 | 22 |
| 0-1100-03690 | 321 | 14 |
| 0-1100-31025 | 202 | 17 |
| 0-1100-31230 | 101 | 08 |
| 0-1100-31230 | 101 | 22 |
| 0-1100-31230 | 105 | 11 |
| 0-1100-31230 | 202 | 19 |
| 0-1100-31435 | 101 | 29 |
| 0-1100-31640 | 101 | 04 |
| 0-1100-31640 | 101 | 11 |

| | | | | | |
|--------------|-----|----|--------------|-----|----|
| 0-1120-01632 | 105 | 07 | 0-1200-31613 | 101 | 17 |
| 0-1120-02032 | 202 | 30 | 0-1200-31613 | 101 | 24 |
| 0-1120-31225 | 105 | 12 | 0-1210-01210 | 421 | 08 |
| 0-1120-31832 | 401 | 19 | 0-1210-33629 | 301 | 21 |
| 0-1130-00408 | 121 | 11 | 0-1210-33629 | 321 | 13 |
| 0-1130-00408 | 711 | 19 | 0-1220-00805 | 421 | 14 |
| 0-1140-31232 | 101 | 09 | 0-1220-01006 | 715 | 12 |
| 0-1140-31232 | 101 | 23 | 0-1260-00404 | 713 | 02 |
| 0-1140-31445 | 101 | 30 | 0-1260-00404 | 713 | 12 |
| 0-1140-31645 | 101 | 12 | 0-1260-00505 | 713 | 04 |
| 0-1140-31645 | 101 | 15 | 0-1260-00505 | 713 | 06 |
| 0-1140-31645 | 101 | 26 | 0-1260-00606 | 711 | 22 |
| 0-1160-01032 | 715 | 14 | 0-1260-00606 | 713 | 08 |
| 0-1200-00403 | 711 | 18 | 0-1260-00606 | 713 | 10 |
| 0-1200-00504 | 203 | 22 | 0-1260-00606 | 713 | 16 |
| 0-1200-00504 | 204 | 05 | 0-1260-00606 | 713 | 37 |
| 0-1200-00504 | 204 | 09 | 0-1260-00808 | 101 | 36 |
| 0-1200-00605 | 101 | 42 | 0-1260-00808 | 711 | 14 |
| 0-1200-00605 | 121 | 28 | 0-1260-00808 | 713 | 14 |
| 0-1200-00605 | 203 | 26 | 0-1260-01010 | 715 | 06 |

| PARTS No. | FIG. No. | INDEX |
|--------------|----------|-------|
| 0-1120-01020 | 111 | 24 |
| 0-1120-01020 | 121 | 18 |
| 0-1120-01020 | 201 | 05 |
| 0-1120-01020 | 201 | 09 |
| 0-1120-01020 | 201 | 14 |
| 0-1120-01020 | 202 | 05 |
| 0-1120-01020 | 202 | 10 |
| 0-1120-01020 | 202 | 14 |
| 0-1120-01020 | 203 | 45 |
| 0-1120-01020 | 203 | 49 |
| 0-1120-01020 | 203 | |
| 0-1120-01020 | 204 | 28 |
| 0-1120-01020 | 252 | 07 |
| 0-1120-01020 | 252 | 13 |
| 0-1120-01020 | 254 | 14 |
| 0-1120-01020 | 401 | 04 |
| 0-1120-01020 | 502 | 12 |
| 0-1120-01020 | 505 | 31 |
| 0-1120-01020 | 551 | 19 |
| 0-1120-01020 | 555 | 13 |
| 0-1120-01020 | 561 | 06 |
| 0-1120-01020 | 561 | 08 |
| 0-1120-01020 | 711 | 05 |
| 0-1120-01020 | 715 | 11 |
| 0-1120-01020 | 715 | 13 |
| 0-1120-01020 | 201 | 18 |
| 0-1120-01223 | 201 | 22 |
| 0-1120-01223 | 203 | 04 |
| 0-1120-01223 | 203 | 09 |
| 0-1120-01223 | 203 | 14 |
| 0-1120-01223 | 203 | 14 |
| 0-1120-01223 | 501 | 19 |

| PARTS No. | FIG. No. | INDEX |
|--------------|----------|-------|
| 0-1200-00605 | 203 | 37 |
| 0-1200-00605 | 204 | 20 |
| 0-1200-00605 | 421 | 12 |
| 0-1200-00605 | 421 | 17 |
| 0-1200-00605 | 711 | 28 |
| 0-1200-00806 | 115 | 15 |
| 0-1200-00806 | 203 | 40 |
| 0-1200-00806 | 204 | 23 |
| 0-1200-00806 | 252 | 09 |
| 0-1200-00806 | 711 | 15 |
| 0-1200-01008 | 101 | 33 |
| 0-1200-01008 | 101 | 39 |
| 0-1200-01008 | 252 | 05 |
| 0-1200-01008 | 254 | 15 |
| 0-1200-01008 | 401 | 15 |
| 0-1200-01008 | 502 | 10 |
| 0-1200-01008 | 505 | 29 |
| 0-1200-01008 | 551 | 20 |
| 0-1200-01008 | 561 | 09 |
| 0-1200-01008 | 711 | 03 |
| 0-1200-01210 | 203 | 07 |
| 0-1200-01210 | 503 | 12 |
| 0-1200-01411 | 421 | 06 |
| 0-1200-01613 | 211 | 04 |
| 0-1200-31008 | 115 | 10 |
| 0-1200-31210 | 101 | 07 |
| 0-1200-31210 | 101 | 21 |
| 0-1200-31210 | 601 | 14 |
| 0-1200-31210 | 611 | 09 |
| 0-1200-31613 | 101 | 10 |

| PARTS No. | FIG. No. | INDEX | PARTS No. | FIG. No. | INDEX |
|--------------|----------|-------|--------------|----------|-------|
| 0-1300-00410 | 121 | 09 | 0-2220-00648 | 506 | 07 |
| 0-1300-00520 | 401 | 10 | 0-2220-00670 | 502 | 13 |
| 0-1300-00620 | 711 | 21 | 0-2220-00680 | 502 | 14 |
| 0-1301-00600 | 401 | 07 | 0-2221-00610 | 502 | 01 |
| 0-1305-00616 | 233 | 26 | 0-2221-00624 | 506 | 09 |
| 0-1311-01020 | 202 | 33 | 0-2230-00250 | 504 | 05 |
| 0-1320-00610 | 233 | 28 | 0-2230-00250 | 504 | 08 |
| 0-1320-00610 | 235 | 23 | 0-2230-00274 | 504 | 06 |
| 0-1350-00630 | 311 | 07 | 0-2230-00635 | 505 | 01 |
| 0-1500-00730 | 105 | 18 | 0-2230-00690 | 505 | 12 |
| 0-1500-00806 | 253 | 06 | 0-2230-00695 | 505 | 13 |
| 0-1520-30845 | 503 | 07 | 0-2230-01080 | 505 | 09 |
| 0-1520-30845 | 503 | 10 | 0-2231-00203 | 504 | 09 |
| 0-2000-03135 | 311 | 09 | 0-2231-00233 | 504 | 07 |
| 0-2000-03135 | 501 | 14 | 0-2231-00253 | 504 | 10 |
| 0-2000-03150 | 321 | 09 | 0-2232-00326 | 121 | 19 |
| 0-2000-03150 | 501 | 08 | 0-2232-01020 | 505 | 17 |
| 0-2000-03150 | 555 | 06 | 0-2232-01020 | 505 | 18 |
| 0-2000-03170 | 301 | 13 | 0-2420-00665 | 506 | 01 |
| 0-2010-02411 | 504 | 14 | 0-2431-00213 | 504 | 12 |
| 0-2010-02411 | 504 | 15 | 0-2431-00290 | 504 | 04 |
| 0-2010-02414 | 555 | 04 | 0-2433-00205 | 504 | 11 |
| 0-2010-02414 | 555 | 09 | 0-2610-01267 | 503 | 06 |
| 0-2010-02418 | 121 | 07 | 0-2610-01267 | 503 | 09 |
| 0-2010-02418 | 555 | 03 | 0-2700-00012 | 121 | 05 |
| 0-2010-03524 | 501 | 11 | 0-2700-00060 | 501 | 03 |
| 0-2030-03538 | 503 | 05 | 0-2700-10112 | 111 | 21 |
| 0-2030-03538 | 503 | 08 | 0-2700-10138 | 111 | 19 |
| 0-2031-03511 | 555 | 10 | 0-2720-01206 | 711 | 27 |
| 0-2040-02012 | 504 | 17 | 0-2720-02506 | 121 | 27 |

| | | | | | |
|--------------|-----|----|--------------|-----|----|
| 0-2040-02217 | 121 | 23 | 0-2720-02506 | 711 | 27 |
| 0-2040-02217 | 121 | 25 | 0-2750-00000 | 711 | 30 |
| 0-2040-02520 | 505 | 02 | 0-2800-00202 | 121 | 30 |
| 0-2040-02520 | 505 | 06 | 0-2800-00202 | 254 | 22 |
| 0-2040-02520 | 506 | 02 | 0-2800-00202 | 255 | 09 |
| 0-2040-02520 | 506 | 05 | 0-2800-00202 | 503 | 15 |
| 0-2040-03024 | 502 | 17 | 0-2800-00202 | 711 | 32 |
| 0-2040-03024 | 505 | 14 | 0-2800-00383 | 121 | 30 |
| 0-2040-03024 | 505 | 21 | 0-2800-00383 | 254 | 22 |
| 0-2040-03024 | 505 | 24 | 0-2800-00383 | 255 | 09 |
| 0-2040-03027 | 501 | 12 | 0-2800-00383 | 503 | 15 |
| 0-2040-03027 | 501 | 22 | 0-2800-00383 | 711 | 32 |
| 0-2040-03030 | 502 | 02 | 0-2820-03008 | 703 | 04 |
| 0-2051-01826 | 105 | 09 | 0-2830-01520 | 254 | 21 |
| 0-2101-01490 | 501 | 01 | 0-2830-01520 | 255 | 08 |
| 0-2150-01045 | 121 | 04 | 0-2830-01520 | 711 | 31 |
| 0-2210-00470 | 501 | 21 | 0-2830-02420 | 254 | 21 |
| 0-2210-00480 | 501 | 20 | 0-2830-02420 | 255 | 08 |
| 0-2210-00480 | 501 | 24 | 0-2830-02420 | 711 | 31 |
| 0-2210-00650 | 501 | 10 | 0-2830-02920 | 254 | 21 |

| PARTS No. | FIG. No. | INDEX | PARTS No. | FIG. No. | INDEX |
|--------------|----------|-------|--------------|----------|-------|
| 0-2830-02920 | 255 | 08 | 0-4301-00606 | 502 | 06 |
| 0-2830-02920 | 711 | 31 | 0-4301-00606 | 506 | 12 |
| 0-2840-02013 | 503 | 14 | 0-4310-01006 | 505 | 15 |
| 0-2840-02020 | 503 | 14 | 0-4310-01010 | 505 | 11 |
| 0-3220-00532 | 202 | 31 | 0-4320-00202 | 504 | 15 |
| 0-3230-00640 | 601 | 09 | 0-4320-00606 | 501 | 11 |
| 0-3300-02012 | 421 | 04 | 0-4321-00902 | 504 | 17 |
| 0-3300-02565 | 301 | 15 | 0-4321-01406 | 505 | 02 |
| 0-3310-02572 | 311 | 04 | 0-4321-01406 | 506 | 02 |
| 0-3400-00000 | 301 | 16 | 0-4321-01706 | 502 | 17 |
| 0-3400-00000 | 321 | 16 | 0-4321-01706 | 505 | 14 |
| 0-3400-00100 | 601 | 08 | 0-4326-01904 | 501 | 22 |
| 0-3400-00100 | 601 | 12 | 0-4326-01906 | 501 | 12 |
| 0-3400-00100 | 601 | 23 | 0-4326-02106 | 502 | 02 |
| 0-3400-00100 | 611 | 07 | 0-4360-01006 | 505 | 22 |
| 0-3400-00100 | 611 | 13 | 0-4360-01010 | 505 | 08 |
| 0-4000-00300 | 551 | 16 | 0-4360-01010 | 505 | 25 |
| 0-4000-01000 | 551 | 15 | 0-4360-01414 | 501 | 04 |
| 0-4100-00402 | 504 | 20 | 0-4380-01414 | 501 | 06 |
| 0-4100-01006 | 502 | 04 | 0-4400-00606 | 506 | 04 |
| 0-4100-01006 | 506 | 13 | 0-4400-01006 | 505 | 04 |
| 0-4100-01410 | 505 | 27 | 0-4410-00202 | 504 | 16 |
| 0-4121-01203 | 121 | 25 | 0-4411-00202 | 504 | 19 |
| 0-4121-01406 | 505 | 06 | 0-4412-00404 | 501 | 23 |
| 0-4121-01406 | 506 | 05 | 0-4450-01010 | 505 | 16 |
| 0-4124-01710 | 505 | 21 | 0-4470-00602 | 502 | 07 |
| 0-4130-00606 | 505 | 23 | 0-5000-01300 | 715 | 01 |
| 0-4200-00606 | 506 | 10 | 0-5010-00000 | 715 | 02 |
| 0-4200-01000 | 505 | 26 | 0-5011-00000 | 715 | 03 |
| 0-4210-00202 | 504 | 13 | 0-5050-00010 | 713 | 35 |

| | | | | | |
|--------------|-----|----|--------------|-----|----|
| 0-4210-00303 | 121 | 24 | 0-5050-00040 | 713 | 34 |
| 0-4210-00404 | 501 | 25 | 0-5060-00015 | 713 | 18 |
| 0-4210-00606 | 502 | 15 | 0-5120-02400 | 711 | 12 |
| 0-4210-01006 | 505 | 03 | 0-5180-02403 | 701 | 18 |
| 0-4210-01010 | 505 | 10 | 0-5190-02403 | 701 | 17 |
| 0-4210-01010 | 505 | 19 | 0-5210-70024 | 701 | 09 |
| 0-4211-00202 | 504 | 14 | 0-5430-02400 | 703 | 02 |
| 0-4212-00606 | 505 | 05 | 0-5520-02400 | 713 | 24 |
| 0-4212-00606 | 506 | 06 | 0-5530-02440 | 713 | 25 |
| 0-4212-01010 | 505 | 07 | 0-5600-02401 | 711 | 13 |
| 0-4213-01203 | 121 | 23 | 0-6000-06207 | 311 | 03 |
| 0-4213-01706 | 505 | 24 | 0-6002-33011 | 321 | 05 |
| 0-4220-01414 | 501 | 02 | 0-6003-00214 | 301 | 11 |
| 0-4300-00202 | 504 | 18 | 0-7010-02200 | 801 | 20 |
| 0-4300-00203 | 121 | 22 | 0-7010-12200 | 811 | 19 |
| 0-4300-00606 | 502 | 03 | 0-7110-00000 | 801 | 07 |
| 0-4300-00606 | 502 | 16 | 0-7110-00000 | 811 | 07 |
| 0-4300-00606 | 506 | 03 | 0-7120-02202 | 801 | 09 |
| 0-4300-00606 | 506 | 08 | 0-7120-02202 | 811 | 09 |
| 0-4300-01010 | 505 | 20 | 0-7131-00000 | 801 | 11 |

| | | | | | |
|--------------|-----|----|--------------|-----|----|
| 1-12020-1010 | 801 | 28 | 1-18640-0011 | 611 | 11 |
| 1-12020-1020 | 801 | 04 | 1-18670-1381 | 503 | 11 |
| 1-12020-1030 | 801 | 03 | 1-18710-1233 | 601 | 03 |
| 1-12020-1040 | 801 | 13 | 1-18710-1233 | 611 | 03 |
| 1-12020-1050 | 801 | 12 | 1-18710-1243 | 601 | 04 |
| 1-12020-1060 | 801 | 16 | 1-18710-1243 | 611 | 04 |
| 1-12020-1070 | 801 | 14 | 1-18710-1312 | 601 | 11 |
| 1-12020-1081 | 801 | 15 | 1-18710-1312 | 611 | 06 |
| 1-12020-1090 | 801 | 01 | 1-19330-0020 | 301 | 12 |
| 1-12020-1120 | 801 | 06 | 1-19350-1180 | 321 | 15 |
| 1-12020-1130 | 801 | 05 | 1-19620-0011 | 501 | 16 |
| 1-12020-1140 | 801 | 10 | 1-19650-0010 | 502 | 05 |
| 1-12020-1150 | 801 | 08 | 1-19650-0010 | 555 | 01 |
| 1-12020-1160 | 801 | 21 | 1-19650-1120 | 555 | 05 |
| 1-12020-1180 | 801 | 17 | 1-19650-1140 | 555 | 07 |
| 1-12020-1190 | 801 | 02 | 1-19650-2110 | 555 | 01 |
| 1-12020-1210 | 811 | 17 | 1-19660-1231 | 551 | 02 |
| 1-12020-1310 | 811 | 02 | 1-19670-1310 | 501 | 05 |
| 1-12210-1220 | 701 | 13 | 1-21210-1210 | 711 | 06 |
| 1-12210-1230 | 701 | 12 | 1-21210-1220 | 711 | 09 |

| PARTS No. | FIG. No. | INDEX |
|--------------|----------|-------|
| 0-7131-10000 | 811 | 11 |
| 0-9100-00000 | 901 | 02 |
| 0-9100-00709 | 901 | 02 |
| 0-9100-00810 | 901 | 02 |
| 0-9100-01113 | 901 | 02 |
| 0-9100-01214 | 901 | 02 |
| 0-9100-01719 | 901 | 02 |
| 0-9100-02224 | 901 | 02 |
| 0-9105-05500 | 901 | 01 |
| 0-9200-00200 | 901 | 04 |
| 0-9210-00150 | 901 | 03 |
| 1-11330-0020 | 311 | 05 |
| 1-11330-1230 | 301 | 25 |
| 1-11340-1140 | 311 | 08 |
| 1-11420-1170 | 421 | 13 |
| 1-11510-1210 | 202 | 23 |
| 1-11650-1160 | 555 | 02 |
| 1-11650-1170 | 555 | 08 |
| 1-11660-0020 | 551 | 12 |
| 1-11660-1120 | 551 | 03 |
| 1-11660-1130 | 551 | 04 |
| 1-11660-1140 | 551 | 07 |
| 1-11660-1150 | 551 | 08 |
| 1-11660-1160 | 551 | 11 |
| 1-11660-1170 | 551 | 10 |
| 1-11660-1180 | 551 | 12 |
| 1-11660-1190 | 551 | 13 |
| 1-11660-1210 | 551 | 14 |
| 1-11660-1220 | 551 | 09 |
| 1-11710-1150 | 601 | 06 |

| PARTS No. | FIG. No. | INDEX |
|--------------|----------|-------|
| 1-12210-1420 | 715 | 05 |
| 1-12210-1430 | 711 | 02 |
| 1-12210-1440 | 715 | 04 |
| 1-12210-1600 | 711 | 25 |
| 1-12210-1600 | 713 | 03 |
| 1-13670-1410 | 501 | 13 |
| 1-14340-1130 | 311 | 06 |
| 1-14670-1110 | 505 | 28 |
| 1-17210-1310 | 715 | 08 |
| 1-17330-1210 | 301 | 23 |
| 1-17330-1221 | 301 | 24 |
| 1-17710-1410 | 601 | 17 |
| 1-17710-1420 | 601 | 19 |
| 1-17710-1430 | 601 | 20 |
| 1-17710-1460 | 601 | 18 |
| 1-17710-1480 | 601 | 18 |
| 1-17710-1490 | 601 | 17 |
| 1-18320-1111 | 301 | 09 |
| 1-18320-1121 | 301 | 10 |
| 1-18330-0012 | 301 | 08 |
| 1-18330-0020 | 321 | 07 |
| 1-18330-1151 | 301 | 14 |
| 1-18330-1170 | 301 | 16A |
| 1-18340-1120 | 311 | 02 |
| 1-18350-1110 | 321 | 03 |
| 1-18350-1141 | 321 | 12 |
| 1-18350-1213 | 321 | 01 |
| 1-18350-1230 | 321 | 02 |
| 1-18520-1290 | 204 | 32 |
| 1-18640-0011 | 601 | 21 |

| PARTS No. | FIG. No. | INDEX | PARTS No. | FIG. No. | INDEX |
|--------------|----------|-------|--------------|----------|-------|
| 1-21210-1230 | 711 | 07 | 1-39110-1210 | 101 | 05 |
| 1-21210-1230 | 711 | 10 | 1-39110-1210 | 101 | 19 |
| 1-21210-1240 | 711 | 08 | 1-39160-1110 | 105 | 13 |
| 1-21210-1240 | 711 | 11 | 1-39160-1120 | 105 | 14 |
| 1-21670-1210 | 506 | 11 | 1-39160-1160 | 105 | 17 |
| 1-23340-1111 | 311 | 01 | 1-39210-1360 | 713 | 01 |
| 1-23710-1160 | 601 | 07 | 1-39610-1110 | 105 | 02 |
| 1-24340-0011 | 311 | 01 | 1-39610-1120 | 105 | 03 |
| 1-27160-1131 | 105 | 15 | 1-39610-1130 | 105 | 04 |
| 1-27160-1141 | 105 | 16 | 1-39610-1310 | 105 | 08 |
| 1-28210-1520 | 711 | 20 | 1-41010-1210 | 811 | 27 |
| 1-28310-1110 | 301 | 01 | 1-41010-1220 | 811 | 04 |
| 1-28320-1121 | 301 | 05 | 1-41010-1230 | 811 | 12 |
| 1-28320-1130 | 301 | 06 | 1-41010-1240 | 811 | 08 |
| 1-28320-1140 | 301 | 08 | 1-41010-1250 | 811 | 03 |
| 1-28330-1160 | 301 | 18 | 1-41010-1260 | 811 | 05 |
| 1-28330-1240 | 301 | 17 | 1-41010-1270 | 811 | 10 |
| 1-28710-1111 | 611 | 01 | 1-41010-1280 | 811 | 01 |
| 1-28710-1210 | 601 | 01 | 1-41010-1290 | 811 | 15 |
| 1-28710-1220 | 601 | 05 | 1-41010-1300 | 811 | 06 |
| 1-28710-1400 | 601 | 16 | 1-41010-1310 | 811 | 13 |
| 1-28710-1500 | 601 | 16 | 1-41010-1320 | 811 | 14 |
| 1-29210-1150 | 703 | 05 | 1-41010-1330 | 811 | 16 |
| 1-29210-1160 | 701 | 11 | 1-41010-1350 | 811 | 20 |
| 1-29210-1170 | 701 | 05 | 1-41010-1430 | 801 | 22 |
| 1-29210-1310 | 713 | 15 | 1-41010-1440 | 801 | 26 |
| 1-29210-1420 | 715 | 15 | 1-41010-1470 | 811 | 25 |
| 1-29210-1530 | 713 | 27 | 1-41010-1490 | 811 | 21 |
| 1-29210-1550 | 711 | 24 | 1-41150-0010 | 121 | 01 |
| 1-29520-1520 | 204 | 07 | 1-41150-1110 | 121 | 01 |

| | | | | | |
|--------------|-----|----|--------------|-----|----|
| 1-29520-1521 | 203 | 24 | 1-41160-1151 | 105 | 20 |
| 1-30210-1520 | 715 | 07 | 1-41210-1240 | 233 | 08 |
| 1-31150-1150 | 121 | 06 | 1-41210-1250 | 233 | 33 |
| 1-31620-1590 | 421 | 21 | 1-41210-1311 | 713 | 09 |
| 1-31620-1610 | 421 | 15 | 1-41210-1321 | 713 | 07 |
| 1-32210-1180 | 121 | 08 | 1-41210-1510 | 715 | 16 |
| 1-32210-1180 | 711 | 26 | 1-41210-2010 | 233 | 10 |
| 1-32210-1510 | 713 | 26 | 1-41210-2020 | 231 | 33 |
| 1-32210-1510 | 713 | 28 | 1-41210-2030 | 231 | 25 |
| 1-32210-1560 | 711 | 16 | 1-41210-2040 | 231 | 21 |
| 1-32510-1310 | 202 | 32 | 1-41210-2060 | 231 | 35 |
| 1-32520-1181 | 201 | 06 | 1-41210-2110 | 701 | 04 |
| 1-32710-1250 | 601 | 02 | 1-41210-2120 | 713 | 05 |
| 1-32710-1250 | 611 | 02 | 1-41210-2130 | 701 | 15 |
| 1-32710-1621 | 202 | 27 | 1-41210-2140 | 703 | 06 |
| 1-32710-1630 | 202 | 29 | 1-41210-2150 | 713 | 17 |
| 1-32710-1650 | 202 | 28 | 1-41210-2160 | 713 | 29 |
| 1-32910-1330 | 255 | 05 | 1-41210-2210 | 701 | 10 |
| 1-32910-1410 | 255 | 03 | 1-41210-2220 | 701 | 19 |
| 1-33130-1180 | 115 | 11 | 1-41210-2230 | 701 | 16 |

| PARTS No. | FIG. No. | INDEX |
|--------------|----------|-------|
| 1-41210-2240 | 701 | 08 |
| 1-41210-2250 | 701 | 06 |
| 1-41210-2260 | 701 | 07 |
| 1-41210-2270 | 701 | 04 |
| 1-41210-2280 | 701 | 14 |
| 1-41210-2310 | 701 | 01 |
| 1-41210-2340 | 235 | 03 |
| 1-41210-2350 | 221 | 18 |
| 1-41210-2370 | 713 | 33 |
| 1-41210-2380 | 713 | 36 |
| 1-41420-1140 | 401 | 01 |
| 1-41420-1180 | 401 | 11 |
| 1-41420-1190 | 401 | 12 |
| 1-41420-1240 | 401 | 05 |
| 1-41420-1250 | 401 | 06 |
| 1-41420-1260 | 401 | 13 |
| 1-41420-1280 | 401 | 14 |
| 1-41520-1310 | 204 | 01 |
| 1-41520-1330 | 204 | 02 |
| 1-41520-1340 | 204 | 14 |
| 1-41520-1350 | 203 | 35 |
| 1-41520-1350 | 204 | 18 |
| 1-41520-1360 | 203 | 32 |
| 1-41520-1360 | 204 | 15 |
| 1-41520-1370 | 203 | 39 |
| 1-41520-1370 | 204 | 22 |
| 1-41520-1380 | 203 | 28 |
| 1-41520-1380 | 204 | 11 |
| 1-41520-1410 | 204 | 01 |
| 1-41520-1430 | 201 | 02 |
| 1-41520-1510 | 203 | 05 |
| 1-41520-1520 | 201 | 23 |
| 1-41520-1540 | 201 | 15 |
| 1-41520-1570 | 201 | 10 |
| 1-41520-1580 | 201 | 11 |
| 1-41520-1670 | 203 | 31 |
| 1-41520-1680 | 202 | 01 |
| 1-41520-1710 | 202 | 06 |
| 1-41520-1720 | 202 | 06 |
| 1-41520-1730 | 202 | 07 |
| 1-41520-1740 | 202 | 07 |
| 1-41520-1770 | 401 | 21 |
| 1-41520-1780 | 202 | 11 |
| 1-41520-1820 | 202 | 02 |
| 1-41520-1850 | 204 | 30 |
| 1-41520-1850 | 211 | 12 |
| 1-41520-1860 | 203 | 20 |
| 1-41520-1860 | 204 | 03 |
| 1-41520-2040 | 202 | 15 |
| 1-41530-1010 | 211 | 05 |

| PARTS No. | FIG. No. | INDEX |
|--------------|----------|-------|
| 1-41610-0011 | 105 | 01 |
| 1-41610-0021 | 105 | 05 |
| 1-41620-1010 | 421 | 01 |
| 1-41620-1020 | 421 | 03 |
| 1-41620-1030 | 421 | 20 |
| 1-41620-1040 | 421 | 11 |
| 1-41620-1050 | 421 | 10 |
| 1-41620-1060 | 421 | 09 |
| 1-41620-1410 | 501 | 07 |
| 1-41660-1100 | 551 | 01 |
| 1-41660-1110 | 551 | 01 |
| 1-41710-1320 | 601 | 22 |
| 1-41710-1320 | 611 | 12 |
| 1-41710-1340 | 601 | 24 |
| 1-41710-1340 | 611 | 14 |
| 1-41710-1360 | 601 | 10 |
| 1-41710-1360 | 611 | 05 |
| 1-41910-1310 | 255 | 01 |
| 1-41910-1320 | 255 | 02 |
| 1-41920-1030 | 252 | 14 |
| 1-43210-1520 | 713 | 13 |
| 1-43630-0012 | 301 | 02 |
| 1-46010-2120 | 801 | 19 |
| 1-46010-2410 | 801 | 18 |
| 1-46010-2420 | 801 | 27 |
| 1-46010-2430 | 801 | 23 |
| 1-46010-2440 | 801 | 24 |
| 1-46010-2450 | 801 | 25 |
| 1-46010-2510 | 811 | 18 |
| 1-46010-2520 | 811 | 26 |
| 1-46010-2530 | 811 | 22 |
| 1-46010-2540 | 811 | 23 |
| 1-46010-2550 | 811 | 24 |
| 1-46100-0300 | 101 | 01 |
| 1-46110-2210 | 101 | 13 |
| 1-46110-2320 | 101 | 41 |
| 1-46110-3110 | 101 | 02 |
| 1-46110-3230 | 101 | 16 |
| 1-46110-3310 | 101 | 27 |
| 1-46110-3330 | 101 | 35 |
| 1-46120-0020 | 111 | 01 |
| 1-46120-2110 | 111 | 01 |
| 1-46120-2120 | 111 | 02 |
| 1-46120-2130 | 111 | 03 |
| 1-46120-2140 | 111 | 04 |
| 1-46120-2150 | 111 | 09 |
| 1-46120-2200 | 111 | 05 |
| 1-46120-2210 | 111 | 05 |
| 1-46120-2220 | 111 | 06 |
| 1-46120-2230 | 111 | 07 |

| PARTS No. | FIG. No. | INDEX |
|--------------|----------|-------|
| 1-46120-2240 | 111 | 08 |
| 1-46120-2310 | 111 | 17 |
| 1-46120-2320 | 111 | 18 |
| 1-46120-2510 | 111 | 10 |
| 1-46130-2120 | 115 | 02 |
| 1-46140-0210 | 561 | 01 |
| 1-46140-2210 | 561 | 02 |
| 1-46140-2220 | 561 | 03 |
| 1-46150-2220 | 121 | 20 |
| 1-46150-2310 | 121 | 26 |
| 1-46150-3230 | 121 | 21 |
| 1-46210-1340 | 715 | 09 |
| 1-46210-1350 | 715 | 10 |
| 1-46210-1420 | 711 | 23 |
| 1-46210-1520 | 713 | 11 |
| 1-46210-2210 | 703 | 03 |
| 1-46210-2220 | 703 | 03 |
| 1-46210-2310 | 711 | 01 |
| 1-46210-2410 | 703 | 01 |
| 1-46210-2510 | 231 | 39 |
| 1-46210-2520 | 231 | 40 |
| 1-46210-2550 | 233 | 25 |
| 1-46210-2560 | 233 | 27 |
| 1-46210-2570 | 235 | 21 |
| 1-46210-2580 | 235 | 22 |
| 1-46210-2600 | 713 | 42 |
| 1-46210-2650 | 713 | 43 |
| 1-46210-2710 | 713 | 38 |
| 1-46210-2720 | 713 | 39 |
| 1-46210-2730 | 713 | 40 |
| 1-46210-2750 | 713 | 41 |
| 1-46340-1120 | 321 | 04 |
| 1-46340-1130 | 321 | 08 |
| 1-46340-1140 | 321 | 06 |
| 1-46350-0010 | 321 | 03 |
| 1-46350-1010 | 321 | 10 |
| 1-46350-1020 | 321 | 11 |
| 1-46420-2270 | 401 | 17 |
| 1-46510-2110 | 201 | 01 |
| 1-46520-2160 | 203 | 46 |
| 1-46520-2210 | 201 | 26 |
| 1-46520-2410 | 203 | 01 |
| 1-46520-2440 | 203 | 16 |
| 1-46520-2450 | 203 | 15 |
| 1-46520-2460 | 203 | 19 |
| 1-46520-2470 | 203 | 15 |
| 1-46520-2480 | 203 | 11 |
| 1-46520-2490 | 203 | 10 |
| 1-46520-2510 | 204 | 29 |
| 1-46520-2520 | 204 | 31 |

| PARTS No. | FIG. No. | INDEX |
|--------------|----------|-------|
| 1-46520-2520 | 211 | 13 |
| 1-46520-2610 | 211 | 11 |
| 1-46520-2830 | 201 | 19 |
| 1-46620-0010 | 504 | 01 |
| 1-46620-0030 | 502 | 08 |
| 1-46670-2110 | 503 | 01 |
| 1-46670-2120 | 503 | 02 |
| 1-46670-2130 | 503 | 03 |
| 1-46670-2140 | 503 | 04 |
| 1-46670-2310 | 502 | 09 |
| 1-46910-2350 | 255 | 06 |
| 1-46910-2360 | 255 | 07 |
| 1-46920-2210 | 254 | 01 |
| 1-46920-2220 | 254 | 02 |
| 1-46920-2410 | 253 | 02 |
| 1-46920-2420 | 253 | 03 |
| 1-46920-2430 | 253 | 04 |
| 1-46920-2510 | 252 | 04 |
| 1-48150-1130 | 121 | 12 |
| 1-48420-1141 | 401 | 20 |
| 1-48420-1210 | 401 | 09 |
| 1-48520-1420 | 202 | 20 |
| 1-51150-1130 | 121 | 02 |
| 1-51150-1140 | 121 | 03 |
| 1-51150-1180 | 121 | 03 |
| 1-51530-1110 | 211 | 01 |
| 1-51530-1120 | 211 | 02 |
| 1-54120-1330 | 111 | 20 |
| 1-54710-1440 | 601 | 16 |
| 1-55520-1410 | 211 | 06 |
| 1-55520-1420 | 211 | 07 |
| 8-12130-1110 | 115 | 01 |
| 8-12130-1130 | 115 | 03 |
| 8-12130-1140 | 115 | 08 |
| 8-12130-1150 | 115 | 04 |
| 8-12130-1160 | 115 | 07 |
| 8-12130-1170 | 115 | 05 |
| 8-12130-1180 | 115 | 06 |
| HC0002043 | 231 | 10 |
| HC1015477 | 231 | 04 |
| HC1015478 | 231 | 07 |
| HC1021345 | 233 | 12 |
| HC1021346 | 233 | 13 |
| HC1021349 | 233 | 19 |
| HC1021350 | 233 | 18 |
| HC1021354 | 233 | 05 |
| HC2037689 | 233 | 29 |
| HC2038484 | 421 | 07 |
| HC2038764 | 221 | 32 |
| HC2038806 | 251 | 14 |

| PARTS No. | FIG. No. | INDEX |
|-----------|----------|-------|
| HC3052543 | 231 | 05 |
| HC3052543 | 231 | 08 |
| HC3072610 | 243 | 12 |
| HC3072613 | 233 | 22 |
| HC3072629 | 233 | 16 |
| HC3072699 | 233 | 31 |
| HC3074721 | 235 | 19 |
| HC4011675 | 251 | 08 |
| HC4018545 | 243 | 11 |
| HC4022697 | 225 | 32 |
| | | |
| HC4055312 | 213 | 08 |
| HC4055312 | 251 | 15 |
| HC4089012 | 226 | 11 |
| HC4092111 | 221 | 10 |
| HC4102096 | 703 | 11 |
| HC4147896 | 223 | 53 |
| HC4187082 | 221 | 20 |
| HC4187083 | 221 | 21 |
| HC4204547 | 224 | 28 |
| HC4204579 | 224 | 20 |
| | | |
| HC4204579 | 225 | 23 |
| HC4204586 | 222 | 17 |
| HC4204586 | 224 | 52 |
| HC4204590 | 226 | 09 |
| HC4204591 | 226 | 10 |
| HC4208103 | 226 | 03 |
| HC4210412 | 221 | 25 |
| HC4210413 | 221 | 26 |
| HC4235232 | 243 | 18 |
| HC4251896 | 251 | 16 |
| | | |
| HC4254237 | 213 | 06 |
| HC4276794 | 251 | 18 |
| HC4280359 | 251 | 21 |
| HC4280527 | 221 | 24 |
| HC4285388 | 213 | 05 |
| HC4287903 | 221 | 17 |
| HC4288445 | 231 | 02 |
| HC4295480 | 224 | 07 |
| HC4295480 | 224 | 30 |
| HC4295573 | 222 | 33 |
| | | |
| HC4295662 | 223 | 35 |
| HC4295662 | 224 | 19 |
| HC4295876 | 224 | 09 |
| HC4295876 | 224 | 31 |
| HC4297101 | 235 | 07 |
| HC4319875 | 243 | 16 |
| HC4320150 | 222 | 34 |
| HC4320163 | 222 | 27 |
| HC4326095 | 213 | 02 |
| HC4333185 | 213 | 01 |

| PARTS No. | FIG. No. | INDEX |
|-----------|----------|-------|
| HC4334707 | 421 | 05 |
| HC4338974 | 213 | 03 |
| HC4339837 | 703 | 08 |
| HC4341706 | 703 | 09 |
| HC4341890 | 243 | 09 |
| HC4342226 | 241 | 01 |
| HC4344638 | 251 | 05 |
| HC4345311 | 243 | 05 |
| HC4348713 | 263 | 01 |
| HC4348714 | 263 | 03 |
| | | |
| HC4349998 | 235 | 06 |
| HC4350234 | 263 | 15 |
| HC4350235 | 263 | 06 |
| HC4350236 | 263 | 05 |
| HC4350237 | 263 | 07 |
| HC4350238 | 263 | 12 |
| HC4350243 | 251 | 09 |
| HC4350244 | 263 | 09 |
| HC4350245 | 235 | 01 |
| HC4350246 | 235 | 10 |
| | | |
| HC4350247 | 235 | 13 |
| HC4350249 | 263 | 14 |
| HC4350265 | 263 | 08 |
| HC4350398 | 235 | 15 |
| HC4350778 | 235 | 14 |
| HC4350779 | 235 | 09 |
| HC4350779 | 235 | 12 |
| HC4351009 | 251 | 19 |
| HC4351011 | 231 | 03 |
| HC4351255 | 233 | 03 |
| | | |
| HC4351277 | 233 | 24 |
| HC4352947 | 703 | 07 |
| HC4357862 | 235 | 17 |
| HC4361104 | 251 | 01 |
| HC4361106 | 251 | 12 |
| HC4361107 | 251 | 02 |
| HC4361147 | 251 | 20 |
| HC4361302 | 221 | 27 |
| HC4361800 | 233 | 32 |
| HC4361800 | 233 | 34 |
| | | |
| HC4361802 | 233 | 15 |
| HC4361802 | 233 | 21 |
| HC4362135 | 223 | 08 |
| HC4362700 | 221 | 31 |
| HC4364504 | 221 | 28 |
| HC4366623 | 251 | 04 |
| HC4367481 | 221 | 13 |
| HC4367485 | 221 | 11 |
| HC4367486 | 221 | 12 |
| HC4369472 | 213 | 01 |

| PARTS No. | FIG. No. | INDEX |
|-----------|----------|-------|
| HC4369540 | 221 | 01 |
| HC4369541 | 221 | 02 |
| HC4369542 | 221 | 05 |
| HC4369543 | 221 | 08 |
| HC4369544 | 221 | 14 |
| HC4369546 | 221 | 23 |
| HC4369547 | 221 | 30 |
| HC4369549 | 221 | 16 |
| HC4369550 | 222 | 01 |
| HC4369551 | 222 | 36 |
| HC4369552 | 222 | 35 |
| HC4369553 | 225 | 25 |
| HC4369554 | 222 | 06 |
| HC4369555 | 222 | 05 |
| HC4369556 | 222 | 02 |
| HC4369557 | 222 | 19 |
| HC4369559 | 222 | 03 |
| HC4369561 | 222 | 18 |
| HC4369562 | 224 | 50 |
| HC4369563 | 224 | 53 |
| HC4369564 | 224 | 49 |
| HC4369565 | 222 | 08 |
| HC4369566 | 222 | 09 |
| HC4369567 | 222 | 22 |
| HC4369568 | 222 | 28 |
| HC4369569 | 222 | 29 |
| HC4369571 | 222 | 12 |
| HC4369572 | 222 | 14 |
| HC4369573 | 222 | 13 |
| HC4369574 | 222 | 11 |
| HC4369575 | 224 | 39 |
| HC4369576 | 224 | 40 |
| HC4369577 | 224 | 41 |
| HC4369578 | 224 | 37 |
| HC4369579 | 224 | 47 |
| HC4369580 | 224 | 44 |
| HC4369581 | 224 | 43 |
| HC4369582 | 224 | 45 |
| HC4369583 | 224 | 55 |
| HC4369584 | 224 | 54 |
| HC4369585 | 222 | 07 |
| HC4369586 | 224 | 36 |
| HC4369587 | 224 | 24 |
| HC4369588 | 224 | 24 |
| HC4369590 | 224 | 25 |
| HC4369591 | 224 | 27 |
| HC4369593 | 224 | 26 |
| HC4369594 | 224 | 32 |
| HC4369595 | 224 | 01 |
| HC4369596 | 224 | 01 |

| PARTS No. | FIG. No. | INDEX |
|-----------|----------|-------|
| HC4369598 | 224 | 05 |
| HC4369599 | 224 | 06 |
| HC4369600 | 224 | 10 |
| HC4369602 | 224 | 04 |
| HC4369603 | 224 | 03 |
| HC4369604 | 224 | 02 |
| HC4369605 | 224 | 18 |
| HC4369606 | 224 | 13 |
| HC4369607 | 224 | 15 |
| HC4369608 | 224 | 16 |
| HC4369609 | 224 | 22 |
| HC4369610 | 224 | 23 |
| HC4369611 | 225 | 17 |
| HC4369612 | 225 | 17 |
| HC4369613 | 225 | 21 |
| HC4369614 | 222 | 37 |
| HC4369614 | 225 | 22 |
| HC4369615 | 225 | 18 |
| HC4369616 | 225 | 20 |
| HC4369617 | 225 | 29 |
| HC4369618 | 225 | 28 |
| HC4369619 | 225 | 31 |
| HC4369620 | 225 | 26 |
| HC4369621 | 226 | 01 |
| HC4369622 | 226 | 02 |
| HC4369623 | 226 | 04 |
| HC4369624 | 226 | 12 |
| HC4369625 | 222 | 15 |
| HC4369626 | 222 | 31 |
| HC4369627 | 222 | 26 |
| HC4369629 | 223 | 01 |
| HC4369630 | 223 | 01 |
| HC4369631 | 223 | 12 |
| HC4369632 | 223 | 41 |
| HC4369633 | 223 | 06 |
| HC4369634 | 223 | 18 |
| HC4369635 | 223 | 19 |
| HC4369636 | 223 | 20 |
| HC4369637 | 223 | 21 |
| HC4369638 | 223 | 22 |
| HC4369639 | 223 | 23 |
| HC4369640 | 223 | 29 |
| HC4369641 | 223 | 30 |
| HC4369642 | 223 | 13 |
| HC4369643 | 223 | 10 |
| HC4369644 | 223 | 42 |
| HC4369645 | 223 | 02 |
| HC4369646 | 223 | 38 |
| HC4369647 | 223 | 40 |
| HC4369648 | 223 | 36 |

| PARTS No. | FIG. No. | INDEX |
|-----------|----------|-------|
| HC4369653 | 223 | 48 |
| HC4369656 | 223 | 54 |
| HC4369657 | 223 | 55 |
| HC4369658 | 223 | 57 |
| HC4369659 | 222 | 21 |
| HC4369659 | 223 | 58 |
| HC4369660 | 223 | 59 |
| HC4369661 | 223 | 34 |
| HC4369662 | 223 | 44 |
| HC4369663 | 223 | 60 |
| | | |
| HC4369664 | 225 | 01 |
| HC4369665 | 225 | 02 |
| HC4369666 | 225 | 03 |
| HC4369667 | 225 | 04 |
| HC4369668 | 225 | 06 |
| HC4369669 | 225 | 07 |
| HC4369670 | 225 | 08 |
| HC4369671 | 225 | 09 |
| HC4369672 | 225 | 13 |
| HC4369674 | 224 | 35 |
| | | |
| HC4369674 | 225 | 11 |
| HC4369674 | 225 | 15 |
| HC4369675 | 222 | 24 |
| HC4370089 | 261 | 01 |
| HC4370144 | 701 | 02 |
| HC4370193 | 241 | 02 |
| HC4370194 | 241 | 03 |
| HC4370195 | 241 | 04 |
| HC4370196 | 241 | 05 |
| HC4370197 | 241 | 06 |
| | | |
| HC4370198 | 241 | 09 |
| HC4370199 | 241 | 10 |
| HC4370200 | 241 | 11 |
| HC4370201 | 241 | 07 |
| HC4370202 | 241 | 15 |
| HC4370203 | 241 | 13 |
| HC4370204 | 241 | 12 |
| HC4370206 | 241 | 14 |
| HC4370207 | 241 | 08 |
| HC4370313 | 235 | 03 |
| | | |
| HC4370314 | 235 | 04 |
| HC4370315 | 235 | 05 |
| HC4370316 | 235 | 01 |
| HC4370317 | 235 | 02 |
| HC4370570 | 263 | 10 |
| HC4370571 | 263 | 11 |
| HC4370572 | 263 | 09 |
| HC4370823 | 261 | 01 |
| HC4370825 | 261 | 09 |
| HC4370826 | 261 | 02 |

| PARTS No. | FIG. No. | INDEX |
|-----------|----------|-------|
| HC4370827 | 261 | 03 |
| HC4370828 | 261 | 04 |
| HC4370829 | 261 | 05 |
| HC4370830 | 261 | 06 |
| HC4370831 | 261 | 07 |
| HC4370832 | 261 | 10 |
| HC4370833 | 261 | 11 |
| HC4370834 | 261 | 12 |
| HC4370835 | 261 | 13 |
| HC4370836 | 261 | 14 |
| | | |
| HC4370837 | 261 | 16 |
| HC4370838 | 261 | 17 |
| HC4370839 | 261 | 19 |
| HC4370840 | 261 | 20 |
| HC4370841 | 261 | 18 |
| HC4370842 | 261 | 21 |
| HC4370843 | 261 | 22 |
| HC4370844 | 261 | 23 |
| HC4370846 | 261 | 15 |
| HC4370903 | 221 | 03 |
| | | |
| HC4372087 | 222 | 30 |
| HC4372088 | 222 | 32 |
| HC4372088 | 224 | 57 |
| HC4372089 | 222 | 20 |
| HC4372091 | 223 | 09 |
| HC4372092 | 223 | 11 |
| HC4372093 | 223 | 50 |
| HC4372094 | 226 | 01 |
| HC4372095 | 226 | 02 |
| HC4372109 | 243 | 10 |
| | | |
| HC4372209 | 226 | 05 |
| HC4372210 | 224 | 48 |
| HC4372211 | 224 | 38 |
| HC4372212 | 225 | 05 |
| HC4372213 | 224 | 33 |
| HC4372213 | 225 | 14 |
| HC4372214 | 224 | 17 |
| HC4372215 | 223 | 24 |
| HC4372216 | 223 | 27 |
| HC4372218 | 221 | 09 |
| | | |
| HC4372219 | 222 | 16 |
| HC4372220 | 225 | 27 |
| HC4372221 | 224 | 42 |
| HC4372222 | 222 | 23 |
| HC4372222 | 224 | 51 |
| HC4372222 | 225 | 30 |
| HC4372222 | 226 | 13 |
| HC4372223 | 225 | 16 |
| HC4372224 | 224 | 46 |
| HC4372225 | 223 | 39 |

| PARTS No. | FIG. No. | INDEX |
|-----------|----------|-------|
| HC4372225 | 224 | 12 |
| HC4372226 | 224 | 14 |
| HC4372261 | 223 | 37 |
| HC4372561 | 224 | 34 |
| HC4372608 | 221 | 15 |
| HC4372608 | 221 | 29 |
| HC4373465 | 241 | 01 |
| HC4374294 | 261 | 08 |
| HC4377169 | 251 | 07 |
| HC4379359 | 251 | 17 |
| | | |
| HC4379639 | 223 | 45 |
| HC4382863 | 221 | 04 |
| HC4382885 | 223 | 33 |
| HC4398016 | 223 | 51 |
| HC4398017 | 223 | 46 |
| HC4398018 | 223 | 47 |
| HC4398019 | 223 | 52 |
| HC4398091 | 223 | 45 |
| HC4400079 | 222 | 04 |
| HC4400087 | 223 | 56 |
| | | |
| HC4514699 | 251 | 06 |
| HC494918 | 224 | 08 |
| HC494918 | 224 | 29 |
| HC5004653 | 233 | 06 |
| HC6014634 | 231 | 01 |
| HC6014737 | 233 | 01 |
| HC6014741 | 233 | 02 |
| HC6014820 | 261 | 25 |
| HC7029266 | 231 | 11 |
| HC7029267 | 231 | 12 |
| | | |
| HC7029268 | 231 | 19 |
| HC7029352 | 243 | 01 |
| HC8060883 | 231 | 15 |
| HC8060884 | 231 | 17 |
| HC8061040 | 243 | 06 |
| HC8061123 | 243 | 02 |
| HC8061543 | 713 | 22 |
| HC8061563 | 243 | 03 |
| HC8061717 | 231 | 37 |
| HC8064900 | 235 | 18 |
| | | |
| HC8065061 | 243 | 17 |
| HC8065588 | 231 | 29 |
| HC9136715 | 243 | 01 |
| HC94-2817 | 213 | 07 |
| HC9743487 | 231 | 31 |
| HCA590105 | 223 | 16 |
| HCA590106 | 223 | 05 |
| HCA590106 | 223 | 26 |
| HCA590108 | 223 | 17 |
| HCA590904 | 223 | 28 |

| PARTS No. | FIG. No. | INDEX |
|-----------|----------|-------|
| HCA590905 | 223 | 15 |
| HCA590906 | 223 | 04 |
| HCA590906 | 223 | 25 |
| HCA590906 | 226 | 07 |
| HCA590910 | 243 | 08 |
| HCJ010816 | 701 | 03 |
| HCJ010820 | 226 | 08 |
| HCJ011025 | 231 | 13 |
| HCJ011025 | 243 | 14 |
| HCJ011025 | 263 | 04 |
| | | |
| HCJ011030 | 233 | 04 |
| HCJ011035 | 231 | 06 |
| HCJ011035 | 231 | 09 |
| HCJ020816 | 221 | 07 |
| HCJ020816 | 713 | 23 |
| HCJ020820 | 231 | 16 |
| HCJ020820 | 231 | 18 |
| HCJ020820 | 231 | 20 |
| HCJ020820 | 231 | 30 |
| HCJ020820 | 231 | 32 |
| | | |
| HCJ020820 | 231 | 34 |
| HCJ020820 | 231 | 36 |
| HCJ020820 | 231 | 38 |
| HCJ020820 | 251 | 10 |
| HCJ020820 | 261 | 26 |
| HCJ021025 | 243 | 04 |
| HCJ021025 | 243 | 15 |
| HCJ021025 | 251 | 03 |
| HCJ021030 | 231 | 14 |
| HCJ050820 | 251 | 11 |
| | | |
| HCJ050820 | 261 | 24 |
| HCJ219167 | 243 | 19 |
| HCJ450614 | 223 | 31 |
| HCJ460510 | 221 | 19 |
| HCJ460510 | 703 | 10 |
| HCJ460512 | 233 | 09 |
| HCJ460512 | 233 | 11 |
| HCJ460514 | 221 | 22 |
| HCJ460514 | 225 | 19 |
| HCJ460514 | 251 | 13 |
| | | |
| HCJ460516 | 221 | 33 |
| HCJ460614 | 235 | 16 |
| HCJ460616 | 224 | 21 |
| HCJ460616 | 225 | 24 |
| HCJ460616 | 235 | 08 |
| HCJ460616 | 235 | 11 |
| HCJ460616 | 235 | 20 |
| HCJ460616 | 263 | 02 |
| HCJ460616 | 263 | 13 |
| HCJ460616 | 263 | 16 |

| PARTS No. | FIG. No. | INDEX |
|---------------|----------|-------|
| HCJ460635 | 233 | 30 |
| HCJ660512 | 223 | 07 |
| HCJ680410 | 223 | 49 |
| HCJ680510 | 223 | 43 |
| HCJ680514 | 224 | 11 |
| HCJ680516 | 225 | 10 |
| HCJ680614 | 222 | 10 |
| HCJ680614 | 222 | 25 |
| HCJ680614 | 224 | 56 |
| HCJ680614 | 225 | 12 |
| | | |
| HCJ680616 | 223 | 32 |
| HCJ680616 | 233 | 07 |
| HCJ680616 | 233 | 14 |
| HCJ680616 | 233 | 17 |
| HCJ680616 | 233 | 20 |
| HCJ680616 | 233 | 23 |
| HCJ680625 | 243 | 13 |
| HCJ952010 | 243 | 07 |
| HCM340816 | 241 | 16 |
| HCM500504 | 223 | 14 |
| | | |
| HCM500605 | 223 | 03 |
| HCM500605 | 226 | 06 |
| HCM500807 | 221 | 06 |
| ND016765-0220 | 255 | 04 |
| ND040033-2650 | 254 | 10 |
| ND046218-0080 | 254 | 19 |
| ND047890-8530 | 253 | 10 |
| ND146649-1170 | 254 | 18 |
| ND146680-1020 | 254 | 11 |
| ND146680-5780 | 254 | 16 |
| | | |
| ND441420-1540 | 254 | 03 |
| ND441440-0340 | 254 | 07 |
| ND445012-0410 | 254 | 09 |
| ND446130-4011 | 254 | 04 |
| ND446170-6850 | 254 | 05 |
| ND446170-8040 | 254 | 08 |
| ND447100-8650 | 252 | 01 |
| ND447700-4950 | 253 | 01 |
| ND55330-11010 | 252 | 02 |
| ND700906-0200 | 254 | 20 |
| | | |
| ND91478-06201 | 253 | 11 |
| ND91478-06201 | 254 | 17 |
| ND915700-6258 | 254 | 06 |
| ND949040-3550 | 252 | 08 |
| ND949047-2590 | 252 | 03 |
| ND989598-0760 | 253 | 09 |

| PARTS No. | FIG. No. | INDEX |
|-----------|----------|-------|
|-----------|----------|-------|

RUBBER CRAWLER CARRIER MST – 2200VD PARTS LIST

Document No. PE12200VD2-02

Second edition: December 5, 2009

Issued by Morooka Co., Ltd.
358 Shoubeisindencho, Ryugasaki,
Ibaraki 301-0034,
Japan

No part of this manual can be reproduced in any form without permission

MOROOKA CO., LTD.

Silverhorn.CO.UK